



# Product Range Technical Information

Steam Traps and Valves · Electronic Controls ·  
Automation · Special Equipment and Vessels for Heat Recovery

2025



**Unlock state funding  
for a wide range of  
GESTRA services and  
solutions**



Engineering steam performance



# Digitalization in the steam system for an optimized process



Save resources through continuous digital monitoring and data processing.

In view of costs and the environment, the overriding objective of plant operators is to save resources. Process optimization through digitalization in the steam system helps achieve just this.

Digital monitoring of critical readings (e.g. temperature and ultrasound) and qualified data analysis help you achieve sustainable energy management for your business.

GESTRA testing, measuring, open and closed-loop control systems are eligible for subsidies and are therefore an even more attractive way of future-proofing your condensate and steam systems.

We are happy to help you choose the right solutions and answer your questions on subsidies.

**Feel free to get in touch.**

## Our Commitment to Sustainability and the Future

Our people are firmly committed to both innovation and safeguarding our planet's future. That is why we're especially proud to hold a Gold rating by Ecovadis, the world's most trusted business sustainability rating organization. That top score reflects our commitment to our colleagues and customers to focus on sustainability as a core principle.



These responsibilities towards the future are laid out in the **One Planet: Engineering with Purpose Strategy**. This comprehensive roadmap lays out GESTRA's targets across six key initiatives

You can discover more about our sustainability initiatives on our website:  
<https://www.gestra.com/sustainability>



### Our sustainability promise in figures

In 2023, we helped our customers worldwide achieve the following CO<sub>2</sub>, energy and water savings with just 10 GESTRA product ranges



**1,255,345**  
Tons CO<sub>2</sub>  
per year



**17,829,651**  
GJ energy  
per year



**5,939,284**  
m<sup>3</sup> water  
per year

### Which is equivalent to



**50,988,844**  
Mature trees



**164,556**  
Average annual  
per capita energy  
consumption



**2,375**  
Olympic  
swimming  
pools

# Product Range

## Steam Traps and Valves

Steam Traps  
Trap Testing Equipment  
Drain Modules

Gravity Circulation Checks  
Screwed Non-Return Valves  
DISCO Non-Return Valves

DISCOCHECK Dual-Plate Check Valves  
DISCO Swing Check Valves

Return Temperature Control Valves  
Self-Acting Pressure and Temperature Controllers  
Control Valves

Safety Valves  
Strainers  
Stop Valves

## Industrial Electronics – System solutions –

General

Basics, type code  
Schematic layout of steam boiler  
Old/new equipment at a glance  
Type approvals at a glance  
The SPECTOR family  
SPECTOR*compact*, SPECTOR*module*,  
SPECTOR*connect*

Level

Conductivity, continuous boiler blowdown  
Intermittent boiler blowdown, temperature  
Oil and turbidity detection  
Long-distance transmission and parameterization  
of operating data  
Open and closed loop control

SPECTOR*compact*, SPECTOR*module*  
SPECTOR*connect*  
Conventional  
SPECTOR*connect*,  
SPECTOR*control*

## Special Equipment and Vessels for Heat Recovery

Condensate Recovery and  
Vessels for Heat Recovery  
Desuperheating Plants  
Steam Regenerators  
Heat-Transfer Installations  
Automatic Pump Trap Station  
Steam-Powered Condensate-Return Station

Condensate Recovery and Return System  
(VSD Pumps)  
Vapour Heat Exchanger  
Feedwater Deaerating Plants  
Mixing Cooler (Blowdown Receiver) Conden-  
sate Dampening Pots  
Steam Driers and Purifiers  
Vessels

## GESTRA Academy Tools for Design Engineers Users & Operators General Information

Mobile Testing Station  
  
Programs & sizing software, CAD drawings  
  
Information on ATEX Directive  
Information on Pressure Equipment Directive (PED)

Technical Literature  
Technical Documentation  
Material Reference Chart, Steam Tables  
Design of GESTRA Valves

A1

A2

A4-A8

B

B

C

D



## GESTRA Steam Traps and Steam Trap Monitoring Equipment



	<b>Page</b>
Steam Trap Selection .....	5
Thermostatic Steam Trap <b>BK</b> with Duo S.S. (Bimetallic) Regulator .....	6 – 7
Thermostatic Steam Trap <b>MK</b> with Membrane Regulator .....	8 – 9
Ball Float Trap <b>UNA, UNA Special</b> .....	10 – 16
<b>Stainless Steel</b> Traps <b>MK, UNA</b> .....	see MK, UNA
Thermodynamic Steam Trap <b>DK</b> .....	17 – 18
Steam Traps for Sterile and Aseptic (SIP) Applications <b>SMK</b> .....	19 – 20
Steam Traps for Special Applications	
Condensate Drain Valves <b>AK</b> .....	21 – 22
Steam Trap with Adjustable Discharge Temperature <b>UBK</b> .....	21 – 22
Steam Trap for Low-Pressure Steam Heating Plants <b>MK</b> .....	21 – 22
Steam Traps for Large Condensate Flowrates <b>TK, GK</b> .....	21 – 22
Steam Traps for Air-Venting <b>BK, MK</b> .....	see BK, MK
Steam Trap Units for UNIVERSAL (Swivel) Connectors <b>BK, MK, DK</b> .....	23
UNIVERSAL (Swivel) Connector Units <b>TS, UC, UCY</b> .....	24 – 25
Compressed-Air Draining Condensate	
Ball-Float Traps for Draining Condensate from Compressed-Air and Other Gas Lines <b>UNA</b> .....	26
Pump Steam Trap, Compact Condensate Lifter <b>UNA</b> .....	27
Why Testing Steam Traps .....	28
Steam Trap Monitoring Equipment <b>VK, VKE, VKP, ecoBolt</b> .....	29 – 32
Drain Module <b>QuickEM</b> .....	33 – 35
Manifold <b>GMF</b> .....	36
Connecting Kit .....	37
Questionnaire for preparing offers for GESTRA Steam Traps .....	38

# The latest member of the UNA 4 family: UNA 47

## Proven reliability and new flexibility added to PN 63

The new UNA 47 ball-float steam trap is the successor to the proven UNA 27h. The new model now features flexible flow direction change. Just like with the UNA 4, the flow direction can be adjusted to the installation situation subsequently. The UNA 47 is available in nominal sizes DN 15 to DN 50 to cover a broader range of nominal sizes than its predecessor. The duplex version of the UNA 47 features a bimetallic vent, making the trap suitable even for applications with superheated steam. In terms of performance, the UNA 47 easily matches its predecessor! The steam trap's weight has been reduced, improving ease of handling when installing and during maintenance.

### Versions:

- Body/cover material: 1.5415/1.5419
- Nominal sizes: DN 15, DN 20, DN 25, DN 40, DN 50
- Types of connection:  
Flange EN1092-1 PN 63; flange ASME B 16.5 Class 400/(600); socket weld ends EN/ASME, socket weld ends via transition pieces EN/ASME, butt-weld ends via transition pieces EN/ASME
- Differential pressures: orifice 16, orifice 28, orifice 45

### Special features:

- Control unit type: with or without thermal venting thanks to robust bimetallic regulator (Duplex/Simplex) (UNA 47 MAX only available with regulator membrane capsule)
- Flow directions: R L-R, R R-L, F (can be subsequently adapted)
- Options:
  - ◆ Special installation length for replacing an UNA 27h
  - ◆ Float-lifting lever
  - ◆ Manual vent valve for Duplex version

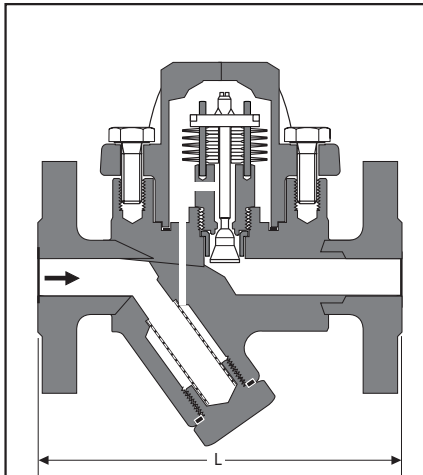


### Steam Trap Selection

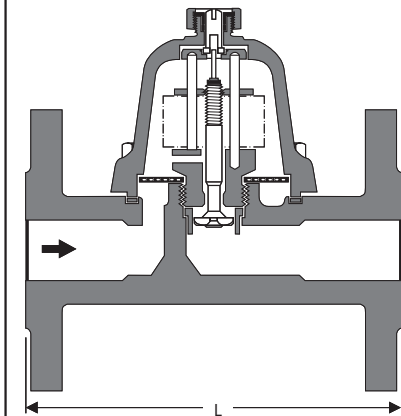
Not all steam trap types are equally suitable for a given application. Depending on the operating conditions and service in question, one or more systems will be particularly well suited.

The following table contains 16 criteria for steam trap selection based on the operation of the plant and the specific requirements on the part of the plant owner.

Criteria		Steam trap types								Please note
		Trap type DK with bimetallic regulator	Trap type MK with membrane regulator	Trap type SMK with membrane regulator	Thermodynamic type DK	Ball float trap type UNA with Duplex control	Ball float trap type UNA with Simplex control	Pump steam trap type UNA 25-PK		
<b>Ratings:</b> 1 = Excellent 2 = Good 3 = Fair or conditional - = Not recommended, unsuitable										
1. Operation with different condensates	Condensate from steam	1	1	1	1	1	1	1	For "cold" condensates or condensates with a saturation curve deviating from that of water only float traps featuring Simplex control (without thermal venting) can be used. *) Only for fluids of group 2 (not dangerous fluids)	
	Condensate from compressed air	-	-	-	-	-	1	1		
	Condensate, distillate from chemical products	-	-	-	-	-	1	3*)		
2. Different modes of operation	Continuous operation: Constant formation of condensate; flowrate and pressure vary	2	1	1	1	1	1	1		
	Discontinuous operation: Intermittent formation of condensate; flowrate and pressure vary strongly	2	1	1	2	1	3*)	1	*) e. g. air venting difficulties	
	Any operation: Heat exchanger may be controlled on the steam side	3**)	2	2	2*)	1	3*)	1	*) Air venting difficulties, **) With partial load (reduced differential pressure) flowrate possibly not sufficient	
3. Operation with back pressure	Up to approx. 30% of upstream pressure	1	1	1	1	1	1	1		
	From 30% to 60% of upstream pressure	3*)	1	1	1	1	1	1	*) Possibly readjustment required	
	> 60% of upstream pressure	3*)	1	1	3	1	1	1	*) Possibly readjustment required	
	> 100% of upstream pressure	-	-	-	-	-	-	1		
4. Sensitivity to dirt	Very dirty condensate	1	1	1	1	1	1	1		
5. Air-venting	Automatic	1	1	1	2	1	3*)	1	*) Manual air-venting	
6. Condensate discharge at definite temperatures	Condensate temperature nearly boiling temperature	2*)	2**)	2**)	1	1	1	1	This may apply to small heat exchangers (e. g. laboratory equipment) *) Possibly readjustment required **) Might require special membrane regulator	
	Condensate undercooling approx. 30 K (required)	1*)	1**)	1**)	-	-	-	-	*) with U-type regulator or by readjustment **) with U-type capsule	
	Condensate undercooling adjustable	2*)	-	-	-	-	-	-	*) By a corresponding readjustment reduction in flowrate; if possible use steam trap with adjustable discharge temperature UBK	
7. Frost resistance		1	1	1	1	1*)	3*)	3	*) Only ensured with V-type design	
8. Condensate discharge without loss of live steam	Intermittent condensate formation	1	1	1	2	1	1	1		
	Reduced condensate formation (< 10 kg/h)	1	1	1	2	1	1	1		
	Continuous condensate formation (> 10 kg/h)	1	1	1	1	1	1	1		
9. Resistance to waterhammer		1	1*)	1*)	1	3*)	3*)	1	*) Built-in non-return valve = 1	
10. Resistance to waterhammer		1	1*)	1*)	-	-*)	-*)	1	*) Built-in non-return valve = 1	
11. Application in vacuum		3	-	-	2	-	1	1		
12. Installation in any position		1	1	1	1	-*)	-*)	-	*) UNA 1..., UNA 4... can be converted	
13. Ease of maintenance		1	1	1	1	1	1	1		
14. Service life of control unit		1	2	2	2	1	1	1		
15. Application with superheated steam		1	3	3	2	1/3*)	1	1	*) UNA 1x, 2x, 4x	
16. Sterile and aseptic (SIP) applications		-	-	1	-	-	-	-		



BK 45, BK 46  
DN 15, 20, 25



BK 15, DN 40, 50

### Features of the BK series

- Robust regulator for roughest operating conditions (unaffected by waterhammer and frost)
- Suitable for superheated steam applications
- Automatic air-venting (steam trap can be used for thermal air-venting in steam systems)
- Installation in any position (horizontal and vertical lines)
- Stage nozzle acts as non-return valve
- Stainless steel internals
- Repairable in-line
- Base bushing ensures positive metal-to-metal sealing between body and regulator.
- Up to  $\Delta p$  275 bar g
- Optional extra: Integrated steam trap monitoring for BK 45 (temperature or steam loss)

### Application

For open-loop controlled heating processes.

Draining of

- saturated steam lines
- superheated steam lines
- steam tracers

Can also be used for thermal air-venting

### Air-venting

#### Steam trap for thermostatic air-venting with bimetallic regulator

The thermostatic steam traps with corrosion-resistant Duo S.S. (bimetallic) regulator of the BK series can also be used for air-venting.

#### Application

Thermostatic steam trap for automatic air-venting and discharge of non-condensable gases and steam/air mixtures from steam lines and heat exchangers.

Special adjustment might be required.

### Pressure/Temperature Ratings

Type	PN / Class	$\Delta PMX$ bar	Material		Max. Pressure / Temp. Rating <sup>1)</sup>		p/T bar/°C	
			EN	ASTM	PMA bar	TMA °C		
BK 45, BK 45U <sup>3)</sup>	PN 40	22	1.0460	A105	40.0	420	27.6 / 300	17.1 / 420
BK 45, BK 45U <sup>3)</sup>	Class 300	22	1.0460	A105	51.1	425	39.8 / 300	28.8 / 425
BK 45-LT	Class 300	22	–	SA350 LF2	51.1	425	51.1 / –46 <sup>4)</sup>	28.8 / 425 <sup>4)</sup>
BK 15 DN 40, 50	PN 40	22	1.0460	A105	40.0	420	27.6 / 300	17.1 / 420
BK 15 DN 40, 50	Class 300	22	1.0460	A105	51.1	425	39.8 / 300	28.8 / 425
BK 46	PN 40	32	1.5415	A182-F1 <sup>2)</sup>	40	450	39.0 / 250	27.6 / 450
BK 46	Class 300	32	1.5415	A182-F1 <sup>2)</sup>	51.7	450	41.1 / 250	29.8 / 450
BK 37	PN 100	45	1.5415	A182-F1 <sup>2)</sup>	100	530	100.0 / 450 <sup>4)</sup>	30.9 / 530 <sup>4)</sup>
BK 27N DN 40, 50	PN 63	45	1.5415	A182-F1 <sup>2)</sup>	63	530	54.0 / 300	13.0 / 530
BK 28	PN 100	85	1.5415	A182-F1 <sup>2)</sup>	100	530	100.0 / 450 <sup>4)</sup>	30.9 / 530 <sup>4)</sup>
BK 29	PN 160	110	1.7335	A182-F12	160	540 <sup>4)</sup>	134.8 / 450 <sup>4)</sup>	46.4 / 540 <sup>4)</sup>
BK 212	PN 630	275	1.7383	A182-F22	630 <sup>4)</sup>	540 <sup>4)</sup>	447.0 / 500 <sup>4)</sup>	261.0 / 540 <sup>4)</sup>
BK 212-F91	–	275	1.4903	A182-F91	775 <sup>4)</sup>	580 <sup>4)</sup>	607.0 / 500 <sup>4)</sup>	205.0 / 580 <sup>4)</sup>
BK 212-S	PN 630	275	1.7383	A182-F22	630	580	289.0 / 540 <sup>4)</sup>	163.0 / 580 <sup>4)</sup>
BK 212-F91-SD	–	275	1.4903	A182-F91	775	625	473.0 / 575 <sup>4)</sup>	255.0 / 625 <sup>4)</sup>
BK 212-F92-SD	–	275	1.4901	A182-F92 <sup>2)</sup>	800	650	418.0 / 600 <sup>4)</sup>	207.0 / 650 <sup>4)</sup>
BK 37-ASME	Class 600	45	–	A182-F12	103.4	530	85.7 / 300	30.6 / 530
BK 28-ASME	Class 600	85	–	A182-F12	103.4 <sup>4)</sup>	530	85.7 / 300 <sup>4)</sup>	30.6 / 530
BK 29-ASME	Class 900	110	–	A182-F12	155.1	540 <sup>4)</sup>	101.4 / 450 <sup>4)</sup>	40.2 / 540
BK 212-ASME	Class 2500	275	–	A182-F22	430 <sup>4)</sup>	580 <sup>4)</sup>	235.0 / 500 <sup>4)</sup>	81.0 / 580 <sup>4)</sup>

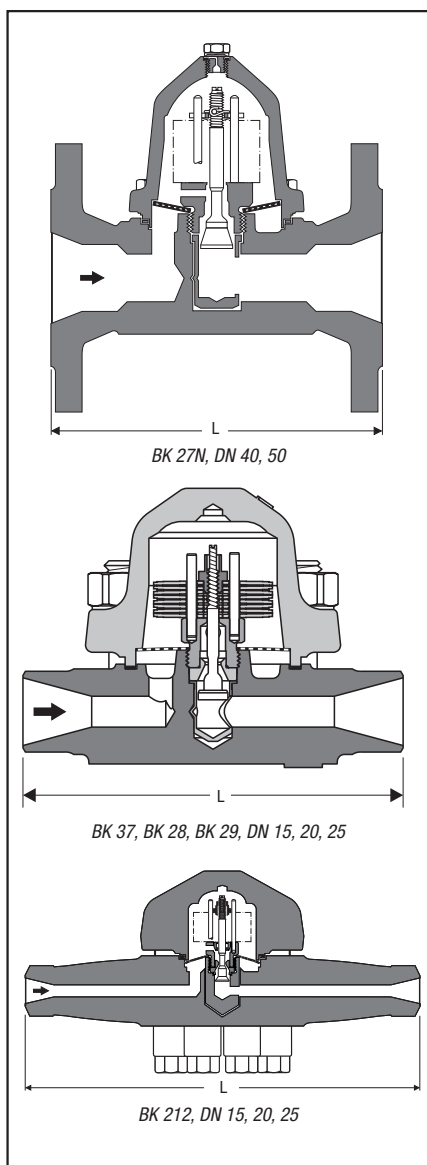
<sup>1)</sup> Limits for body/cover. Functional requirements may restrict the use to below the limits quoted.

For full details on limiting conditions depending on end connection and type of regulator see data sheet.



<sup>2)</sup> Material complies with EN and ASTM requirements.

<sup>3)</sup> Opening undercooling approx. 30 K.

<sup>4)</sup> Only applicable for traps with butt-weld (BW) or socket-weld (SW) ends DN 25. Note that limits will be lower for traps with other dimensions or flanged end connections.



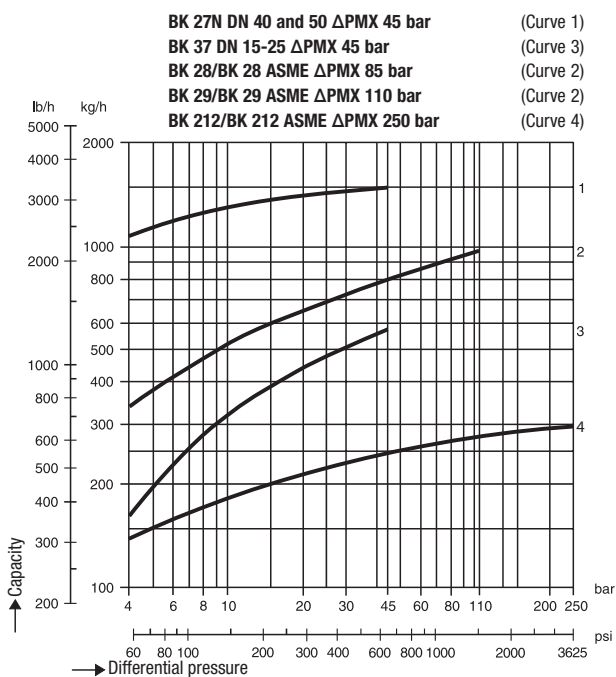
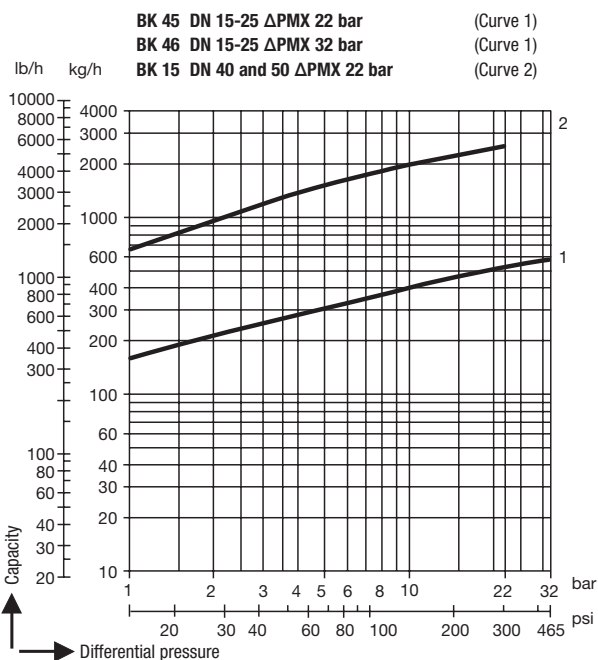
**Available End Connections and Overall Lengths in mm**

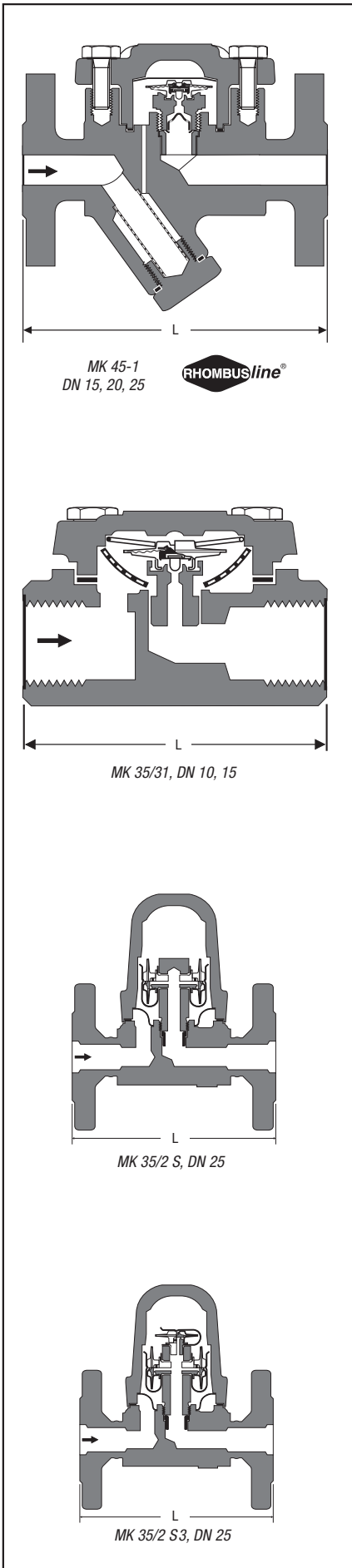
Type	Connection	DN 15 1/2"	DN 20 3/4"	DN 25 1"	DN 40 1 1/2"	DN 50 2"
<b>BK 45</b>  Only available in sizes DN 15 - 25	Flanged EN PN 40	150	150	160	230	230
	Flanged ASME 150 <sup>1)</sup>	150	150	160	230	230
	Flanged ASME 300 <sup>1)</sup>	150	150	160	230	230
<b>BK 15</b> Only available in sizes DN 40 - 50	Screwed sockets	95	95	95	130	230
	Socket-weld (SW)	95	95	95	130	230
	Butt-weld (BW)	200	200	200	250	250
<b>BK 46</b> 	Flanged EN PN 40	150	150	160	–	–
	Flanged ASME 300	150	150	160	–	–
	Screwed sockets	95	95	95	–	–
	Socket-weld (SW)	95	95	95	–	–
<b>BK 27N</b> DN 40, 50	Flanged EN PN 40	–	–	–	230	230
	Flanged EN PN 63	–	–	–	260	300
	Flanged ASME 400/600	–	–	–	241	292
	Socket-weld (SW)	–	–	–	180	180
	Butt-weld (BW)	–	–	–	180	180
<b>BK 37</b> <b>BK 28</b>	Flanged EN PN 100	210	230	230	–	–
	Socket-weld (SW)	160	160	160	–	–
	Butt-weld (BW)	160	160	160	–	–
<b>BK 29</b>	Flanged EN PN 160	210	–	230	–	–
	Socket-weld (SW)	160	160	160	–	–
	Butt-weld (BW)	160	160	160	–	–
<b>BK 212...</b> <b>Series</b>	Butt-weld (BW)	330	330	330	–	–
	Socket-weld (SW)	330	330	330	–	–
<b>BK 37-ASME</b>	Flanged ASME 600	230	230	230	–	–
	Socket-weld (SW)	160	160	160	–	–
	Butt-weld (BW)	160	160	160	–	–
<b>BK 28-ASME</b>	Flanged ASME 400/600	230	230	230	–	–
	Socket-weld (SW)	160	160	160	–	–
	Butt-weld (BW)	160	160	160	–	–
<b>BK 29-ASME</b>	Flanged ASME 900/1500	230	230	254	–	–
	Socket-weld (SW)	200	200	200	–	–
	Butt-weld (BW)	200	200	200	–	–

<sup>1)</sup> BK 45 with ASME flanges: overall length 172 mm available on request.

**Capacity Charts**

The charts show the maximum hot condensate capacities.





### Features of the MK series

- Very sensitive response characteristic
- Function is not impaired by high back pressure
- Automatic air-venting (trap can be used for thermal air-venting in steam systems)
- Installation in any position (horizontal and vertical lines)
- High hot-water capacities even with low differential pressures
- With tandem seat (double sealing) for low condensate flowrates
- Built-in non-return valve (only MK 45)
- Stainless steel internals (corrugated membrane of Hastelloy)
- Design "U" with undercooling capsule: utilization of a certain amount of sensible heat by banking-up of condensate, decreasing the amount of flash steam
- Optional extra: Integrated condensate monitoring for MK 45 (temperature or steam loss)

### Application

Type	
MK 45-1 MK 35/31 <sup>1)</sup>	<b>With tandem seat (double sealing)</b> For low condensate flowrates, steam-tracing, steam-line drainage, air-venting
MK 45-2 MK 35/32 <sup>1)</sup>	<b>With single seat</b> For medium condensate flowrates, steam-tracing, drainage of heat exchangers, air-venting
MK 25/2 <sup>1)</sup> MK 25/2 S <sup>1)</sup> MK 35/2 S <sup>1)</sup> MK 35/2 S3 <sup>1)</sup>	<b>With single seat</b> For large condensate flowrates, drainage of heat exchangers
MK 36/51 <sup>1)</sup> MK 36/52 <sup>1)</sup>	<b>With tandem seat (double sealing) – with flat gasket</b> For small/large condensate flowrates, steam tracing, steam-line drainage, venting and vacuum-breaking. Also suitable for food, biological and pharmaceutical applications.
MK 45 A-1 MK 45 A-2	For small and large condensate flowrates; steam-tracing, steam-line drainage, air-venting

<sup>1)</sup> Can also be used for vacuum breaking (aerating).

### Air Venting

#### Steam Trap for Thermostatic Air-Venting with Membrane Regulator

The thermostatic steam traps with membrane regulators of the MK series can also be used for air-venting.

#### Application

Thermostatic steam trap for automatic air-venting and discharge of non-condensable gases and steam/air mixtures from steam lines and heat exchangers.

A special type of membrane regulator capsule might be required.

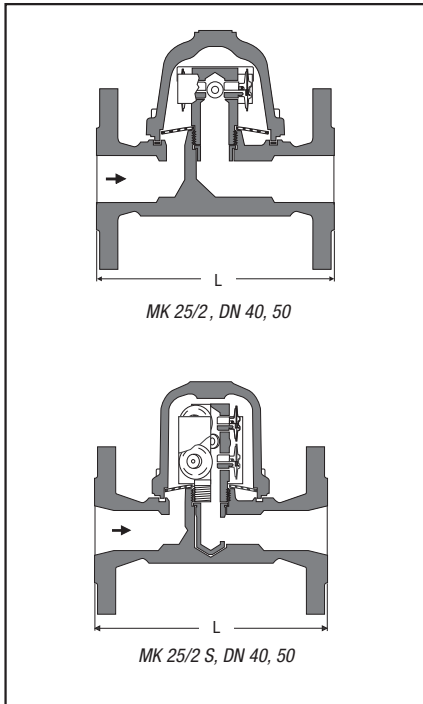
### Pressure/Temperature Ratings

Type	PN / Class	$\Delta$ PMX bar	Material		Max. Pressure/Temp. Rating <sup>1)</sup>			
			EN	ASTM	PMA bar	TMA °C	p/T bar/°C	
MK 35/31, MK 35/32	PN 25	21	1.0460	A105	25.0	400	18.6 / 225	14.4 / 400
MK 45-1, MK 45-2	PN 40	32	1.0460	A105	40.0	420	27.6 / 300	17.1 / 420
MK 45-1, MK 45-2	Class 300	32	1.0460	A105	51.1	425	39.8 / 300	28.8 / 425
MK 35/2 S, DN 25 MK 35/2 S3, DN 25	PN 40	32	1.0460	A105	40.0	420	27.6 / 300	17.1 / 420
MK 25/2, MK 25/2 S, DN 40, 50	PN 40	32	1.0460/ 1.0619	A105/ A216-WCB	40.0	420	27.6 / 300	17.1 / 420
MK 36/51, MK 36/52	–	32	1.4301 <sup>2)</sup>	SA479-F304	49.0	400	32.0 / 245	28.0 / 400
MK 45 A-1, MK 45 A-2	PN 40	32	1.4404	A182-F316L	40.0	400	27.6 / 300	25.7 / 400 <sup>3)</sup>
MK 45 A-1, MK 45 A-2	Class 300	32	1.4404	A182-F316L	41.4	400	26.1 / 300	24.3 / 400 <sup>3)</sup>

<sup>1)</sup> Limits for body/cover. Functional requirements may restrict the use to below the limits quoted. For full details on limiting conditions depending on end connection and type of regulator see data sheet.

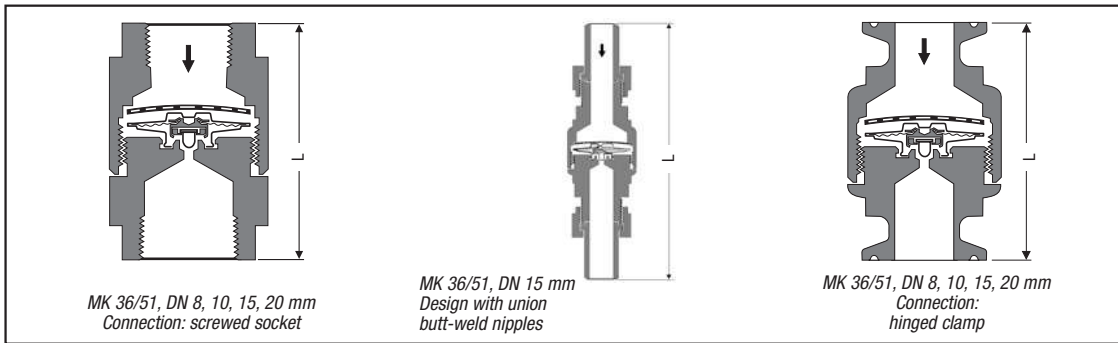
<sup>2)</sup> EN material comparable to ASTM material.

<sup>3)</sup> If the operating temperatures exceed 300 °C intercrystalline corrosion may occur. Do not subject the equipment to operating temperatures higher than 300 °C unless intercrystalline corrosion can be ruled out.



Available End Connections and Overall Length

Type	Connection	Overall length (L) in mm						
		DN 8 1/4"	DN 10 3/8"	DN 15 1/2"	DN 20 3/4"	DN 25 1"	DN 40 1 1/2"	DN 50 2"
<b>MK 45-1</b>	Flanged EN PN 40	–	–	150	150	160	–	–
<b>MK 45-2</b>	Flanged ASME 150 <sup>1)</sup>	–	–	150	150	160	–	–
<b>MK 45 A-1</b>	Flanged ASME 300 <sup>1)</sup>	–	–	150	150	160	–	–
<b>MK 45 A-2</b>	Screwed sockets	–	–	95	95	95	–	–
<b>MK 35/2 S3</b> Only available in size DN 25	Socket-weld (SW)	–	–	95	95	95	–	–
<b>MK 35/2 S</b> Only available in size DN 25	Butt-weld (BW) <sup>2)</sup>	–	–	200	200	200	–	–
<b>MK 35/31</b>	Screwed sockets	–	70	70	–	–	–	–
<b>MK 35/32</b>	Socket-weld (SW)	–	–	95	–	–	–	–
<b>MK 25/2 DN 40 – 50</b>	Flanged EN PN 40	–	–	–	–	–	230	230
<b>MK 25/2 S DN 40 – 50</b>	Flanged ASME 150	–	–	–	–	–	230	230
	Flanged ASME 300	–	–	–	–	–	230	230
	Screwed sockets	–	–	–	–	–	130	230
	Socket-weld (SW)	–	–	–	–	–	130	230
<b>MK 36/51</b>	Screwed sockets	65	65	65	65	–	–	–
<b>MK 36/52</b>	Union butt-weld nipples <sup>3)</sup>	–	–	150	–	–	–	–
	Hinged clamp	–	65	65	65	65	–	–

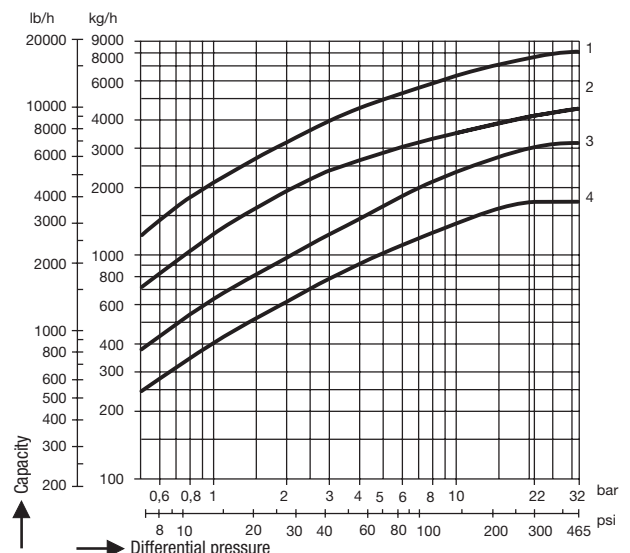
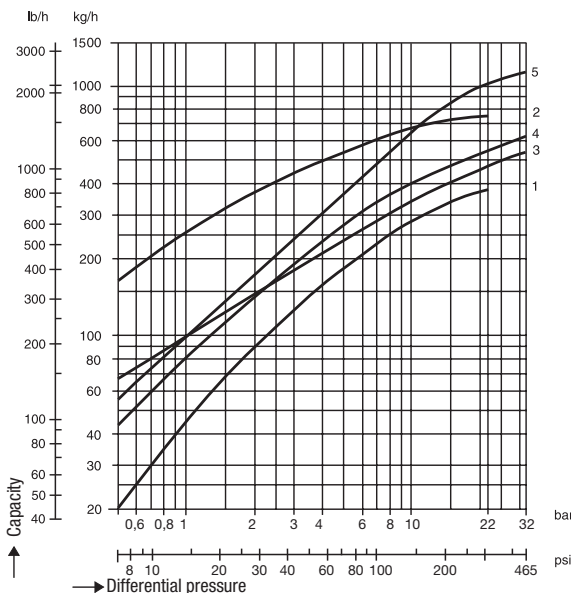


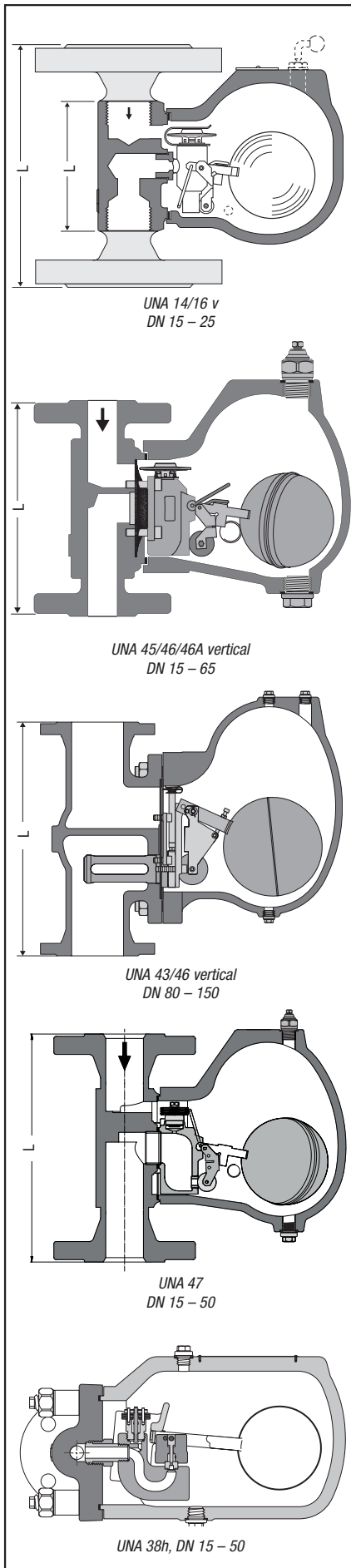
- 1) MK 45 with ASME flanges: overall length 172 mm available on request.
- 2) Only MK 45
- 3) Made of carbon steel or stainless steel

Capacity Charts

The charts show the maximum hot condensate capacities.

- MK 45-1/MK 45A-1** (Curve 4)    **MK 35/31** (Curve 1)
- MK 45-2/MK 45A-2** (Curve 5)    **MK 35/32** (Curve 2)
- MK 36/51** (Curve 3)    **MK 36/52** (Curve 2)
- MK 25/2 S, DN 40, 50** (Curve 1)    **MK 35/2 S3, DN 25** (Curve 3)
- MK 25/2, DN 40, 50** (Curve 2)    **MK 35/2S, DN 25** (Curve 4)





### Features of the UNA series

- Unaffected by back pressure and condensate temperature
- No loss of live steam due to continuous water seal at the seat
- No banking-up of condensate even with extreme load and pressure fluctuations
- Particularly well suited for heat exchangers controlled from the steam side
- Unaffected by dirt
- Automatic thermostatic air-venting (Duplex design)
- Ideal for discharging cold condensates, distillates and condensates derived from chemical products (Simplex design)
- Repairable in-line
- Thanks to the rolling ball valve only reduced operating forces and small control units are required (compact, lightweight design for large flowrates)
- Internals made from corrosion-resistant stainless steels
- UNA 14, 16, 45, 46, 47, 38: Body can be easily repositioned to convert the flow direction from left to right or vice versa or to change to vertical flow.
- UNA 45, 46 DN 40-65, and UNA 47 DN 40-50 optionally available with MAX controller for very large flowrates (conversion standard -> MAX controller not possible).

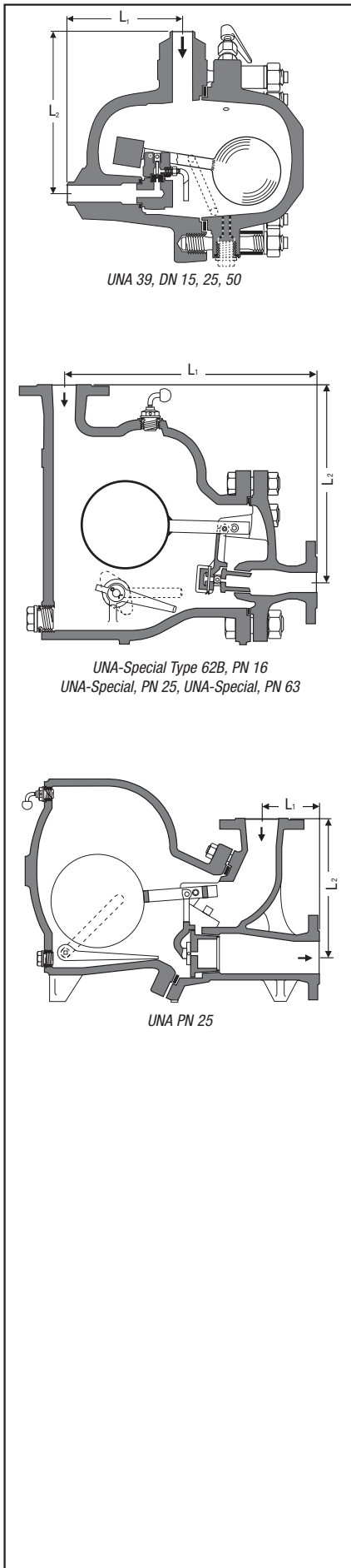
### Application

Condensate discharge without banking-up, even at varying operating conditions and back pressure. Automatic air-venting (Duplex design). Also for the discharge of cold condensates and distillates, and for draining gas and compressed air systems (Simplex design).

### Pressure/Temperature Ratings and Designs

Type	PN / Class	ΔPMX bar	Material		Max. Pressure / Temp. Rating <sup>1)</sup>			
			EN	ASTM	PMA bar	TMA °C	p / T bar/°C	
UNA 14	PN 25	13	5.3103	–	25.0	350	19.4 / 200	15.0 / 350
UNA 16	PN 40	22	1.0460 / 1.0619	A105 / A216-WCB	40.0	400	25.8 / 300	23.1 / 400
UNA 43	PN 16 / CL125	13	5.1301 / 5.1301	(A126-B) / (A126-B)	16.0 / 13.8	300 / 232	12.8 / 200 9.6 / 200	9.6 / 300 8.6 / 232
UNA 45	PN 40 / CL300	32	1.0460 / 5.3103	A105 / (A395)	40 / 51.1	350 / 345	33.3 / 200 43.8 / 200	25.7 / 350 37.8 / 345
UNA 46 (DN 15 – 65)	PN 40 / CL300	32	1.0460 / 1.0619	A105 / A216WCB	40 / 51.1	420 / 425	27.6 / 300 39.8 / 300	17.1 / 420 28.8 / 425
UNA 46 (DN 80 – 150)	PN 40 / CL300	40	1.0619 / 1.0619	A216WCB / A216WCB	40 / 51.1	450 / 425	27.6 / 300 39.8 / 300	13.1 / 450 28.8 / 425
UNA 47 (DN 15 – 50)	PN 63	45	1.5415	16Mo3	63.0	450	54.0 / 300	43.5 / 450
UNA 38	PN 100	80	1.5415/ 1.7357	A182-F1 / A217-WC6 <sup>2)</sup>	100.0	530	69.0 / 450	22.3 / 530
UNA 38 High-temperature	PN 100	80	1.7335/ 1.7357	A182-F12 / A217-WC6 <sup>2)</sup>	100.0	530	83.7 / 450	32.4 / 530
UNA 39	PN 160	140	1.7335	A182-F12	160.0	550	104.3 / 500	37.3 / 550
UNA-Special Type 62B	PN 16	16	1.0425	A516Gr-60 <sup>2)</sup>	16.0	300	11.3 / 250	10.2 / 300
UNA	PN 25	22	1.0619	A216-WCB	25.0	400	22.0 / 200	14.8 / 400
UNA-Special	PN 63	45	1.5419	A217-WC1 <sup>2)</sup>	63.0	450	54.0 / 300	43.5 / 450
UNA 16A	PN 40	22	1.4404 / 1.4408	A182-316L / A351-CF8M	40.0	300	29.3 / 200	25.8 / 300
UNA 46A	PN 40 / CL300	32	1.4404 / 1.4408	F316L / CF8M	40 / 41.4	450 / 425	27.6 / 300 26.1 / 300	25.0 / 450 <sup>3)</sup> 23.9 / 425 <sup>3)</sup>

<sup>1)</sup> Limits for body/cover. Functional requirements may restrict the use to below the limits quoted. For full details on limiting conditions depending on end connection and type of regulator see data sheet.  
<sup>2)</sup> ASTM nearest equivalent is stated for guidance. Physical and chemical properties comply with EN.  
<sup>3)</sup> If the operating temperatures exceed 300 °C intercrystalline corrosion may occur. Do not subject the equipment to operating temperatures higher than 300 °C unless intercrystalline corrosion can be ruled out.



Available End Connections and Overall Length

Type	Connection	Overall length (L) in mm						
		DN 15 1/2"	DN 20 3/4"	DN 25 1"	DN 40 1 1/2"	DN 50 2"	DN 65 2 1/2"	
UNA 14h, 14v	Flanged EN PN 25	150	150	160	–	–	–	
	Screwed sockets	95	95	95	–	–	–	
UNA 16h, 16v, UNA 16Ah, 16Av	Flanged EN PN 40	150	150	160	–	–	–	
	Flanged ASME CI 150 RF	150	150	160	–	–	–	
	Screwed sockets	95	95	95	–	–	–	
	Socket-weld (SW)	95	95	95	–	–	–	
	Butt-weld (BW)	200	200	200	–	–	–	
UNA 45 UNA 46 UNA 46A	Flanged EN PN 40	150	150	160	230	230	290	
	Flanged ASME CI 150 RF	150	150	160	241	267	292	
	Flanged ASME CI 300 RF	150	150	160	241	267	292	
	Screwed ISO-G	95	95	95	165	165	–	
	Screwed socket NPT	95	95	95	165	165	–	
	Socket-weld end (SW) EN/ ASME	95	95	95	165	–	–	
	SW via transition piece EN/ ASME	–	–	–	–	267	–	
	SW via transition piece EN	–	–	–	–	–	292	
	SW via transition piece ASME	–	–	–	–	–	292	
	Butt-weld end via transition piece EN	200	200	200	241	267	292	
	Butt-weld end via transition piece ASME	200	200	200	241	267	292	
	UNA 47	Flanged EN PN 63	230	260	260	290	290	–
		Flanged ASME CI 400/600 RF	241	267	267	292	292	–
Socket weld ends EN/ASME		165	165	165	165	–	–	
Socket-weld ends via transition pieces EN/ASME		–	–	–	–	290	–	
Butt-weld ends via transition pieces EN		230	260	260	290	290	–	
Butt-weld ends via transition pieces ASME		230	260	260	290	290	–	
UNA 38		Flanged EN PN 63/PN 100	300	300	300	420	416	–
	Flanged ASME CI 600 RF	300	300	300	421	427	–	
	Socket-weld / SW via transition pieces	300	300	300	420 <sup>1)</sup>	420 <sup>1)</sup>	–	
	Butt-weld / BW via transition pieces	300	300	300	420 <sup>1)</sup>	420 <sup>1)</sup>	–	
UNA 39		L <sub>1</sub> /L <sub>2</sub>		L <sub>1</sub> /L <sub>2</sub>		L <sub>1</sub> /L <sub>2</sub>		
	Flansche EN PN 160	215/285	–	230/300	–	245/315	–	
	Flansche ASME CI 900 RF	240/310	–	250/320	–	280/350	–	
	Schweißende	170/240	–	170/240	–	170/240	–	

<sup>1)</sup> UNA 38 socket-weld (SW) ends and butt-weld (BW) ends DN 40 + DN 50:  
300 mm, SW and BW via transition pieces: 420 mm

Type	Connection		Length L <sub>1</sub> /L <sub>2</sub> in mm			
			DN 65 2 1/2"	DN 80 3"	DN 100 4"	DN 150 6"
UNA 43	Flanged EN PN 16	L	–	450	450	500
	Flanged ASME CL 125	L	–	457	547	502
	Flanged JIS/KS 10 K	L	–	457	457	502
UNA 46	Flanged EN PN 40	L	–	450	450	500
	Flanged ASME CL 150	L	–	457	457	502
	Flanged ASME CL 300	L	–	457	457	502
	Flanged JIS/KS 10K	L	–	457	457	502
	Flanged JIS/KS 20K	L	–	457	457	502
UNA-Special Type 62B, PN 16	Flanged EN PN 16	L <sub>1</sub>	–	–	700	–
		L <sub>2</sub>	–	–	595	–
UNA PN 25	Flanged EN PN 25	L <sub>1</sub>	–	–	140	–
		L <sub>2</sub>	–	–	400	–
UNA-Special PN 63	Flanged EN PN 63	L <sub>1</sub>	565	690	700	–
		L <sub>2</sub>	400	435	450	–

### Available Designs

Type	End connection options			Orifices (AO) for max. differential pressure	Control unit		
	horizontal	vertical	angle pattern		Simplex	Duplex	Simplex-R
UNA 14	x <sup>1)</sup>	x <sup>1)</sup>		AO 4, 13	x	x	x
UNA 16, 16A	x <sup>1)</sup>	x <sup>1)</sup>		AO 4, 13, 22	x	x	x
UNA 43, UNA 45, UNA 46, UNA 46A	x <sup>1)</sup>	x <sup>1)</sup>		AO 2, 4, 8, 13, 22, 32, 40 <sup>3)</sup> , 4 MAX <sup>3)</sup> , 8 MAX <sup>3)</sup> , 13 MAX <sup>3)</sup> , 22 MAX <sup>3)</sup> , 32 MAX <sup>3)</sup>	x	x	
UNA 47	x <sup>1)</sup>	x <sup>1)</sup>		AO 16, 28, 45 4 MAX <sup>3)</sup> , 8 MAX <sup>3)</sup> , 13 MAX <sup>3)</sup> , 22 MAX <sup>3)</sup> , 32 MAX <sup>3)</sup>	x	x	
UNA 38	x <sup>1)</sup>	x <sup>1)</sup>		AO 50, (64), 80, 80 MAX	x	x	
UNA 39			x	AO 80, 110, 140, 140 MAX	x		
UNA-Special Type 62B, PN 16			x	AO 2, 3.5, 5, 10, 16	x <sup>2)</sup>		
UNA PN 25			x	AO 2, 3.5, 5, 8, 12, 16, 22	x <sup>2)</sup>		
UNA-Special PN 63			x	AO 16, 22, 32, 40, 45	x <sup>2)</sup>		

<sup>1)</sup> Connection orientation can be changed on site, trap body for horizontal-right available

<sup>2)</sup> Simplex: Flow control + hand vent valve + float lifting lever <sup>3)</sup> DN 80, 100, 150 <sup>\*</sup> DN 40, 50, 65, UNA 47 only DN 40, 50

Simplex: Float control (without thermostatic bellows)

Duplex: Flow control + automatic air-venting

Simplex-R: Float control + inner vent pipe

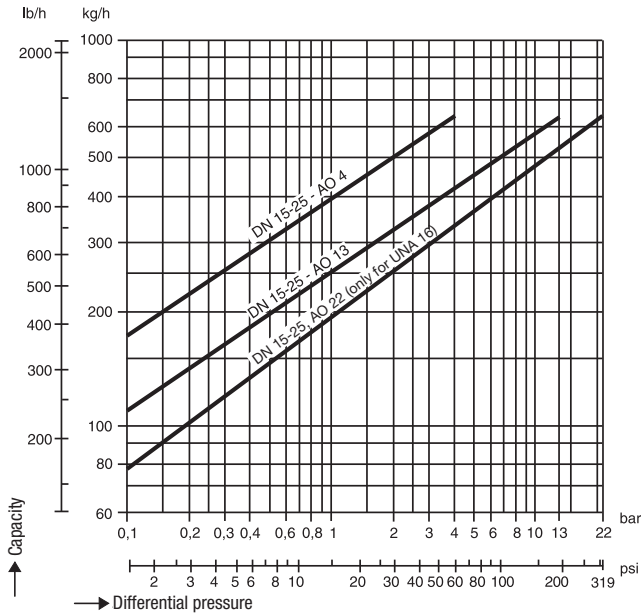
### Optional Items for Ball-Float Traps

Item	Type
Sightglass cover	UNA 45
Cover for installing electrodes	UNA 45
Float lifting lever with gasket	UNA 43, 45, 46, 46 A, 47, 38
Vent valve with gasket (for Duplex design)	UNA 43, 45, 46, 46 A, 47, 38
Inner bypass (adjustable)	UNA 45, 46, 46 A

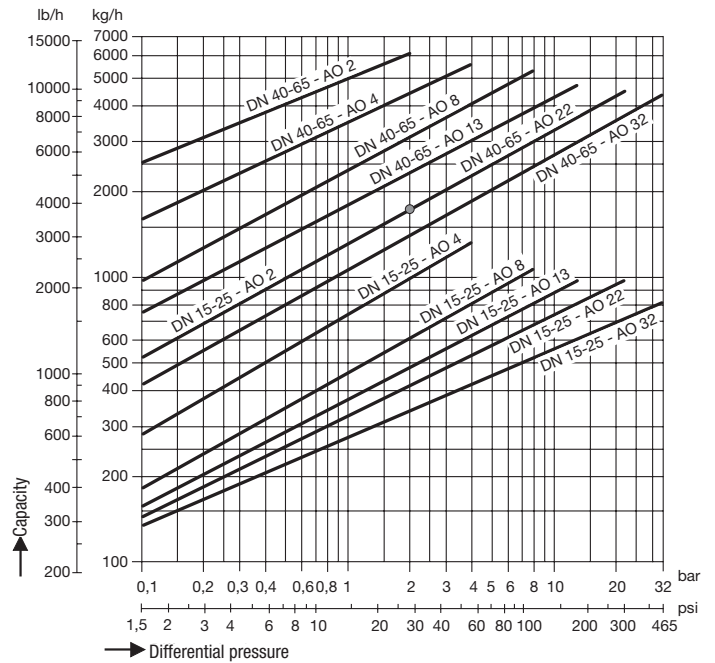
**Capacity Charts**

The charts show the maximum hot condensate capacities for the range of float-controlled orifices (AO) and sizes available.

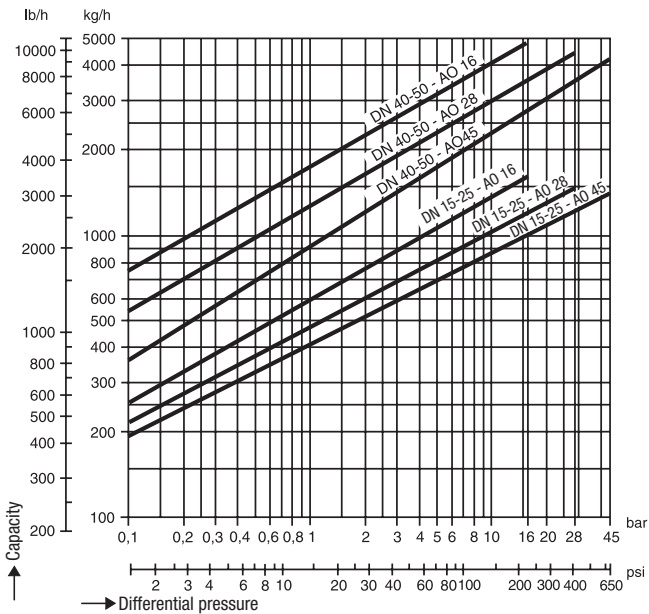
**UNA 14, UNA 16, UNA 16A**



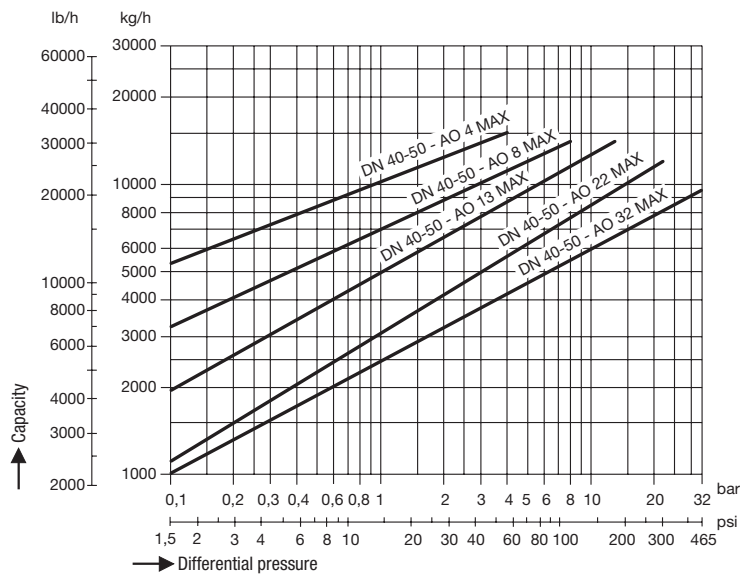
**UNA 45, UNA 46, UNA 46A**



**UNA 47**



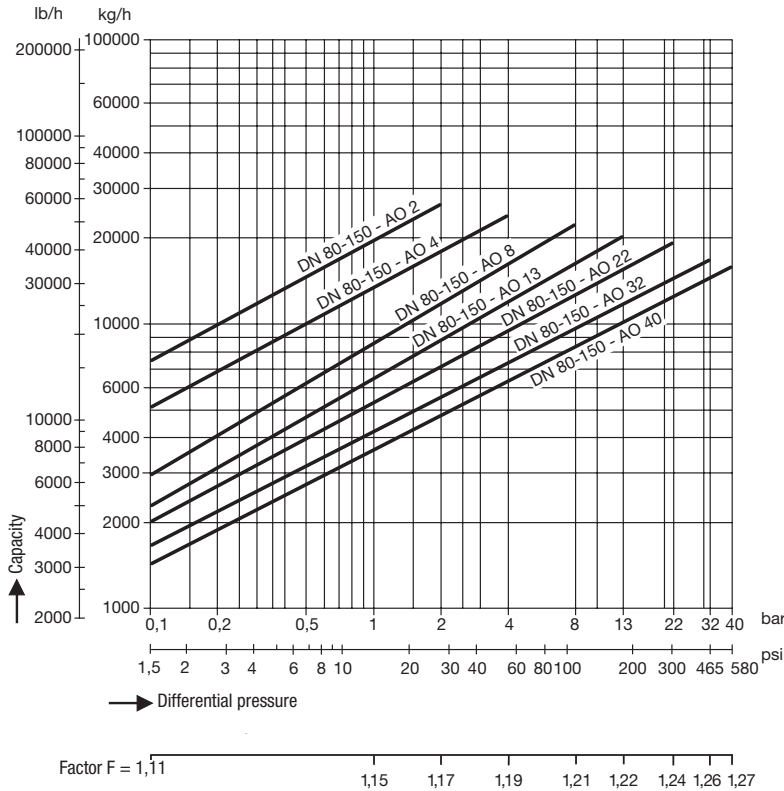
**UNA 45 MAX, UNA 46 MAX, UNA 46A MAX, UNA 47 MAX**



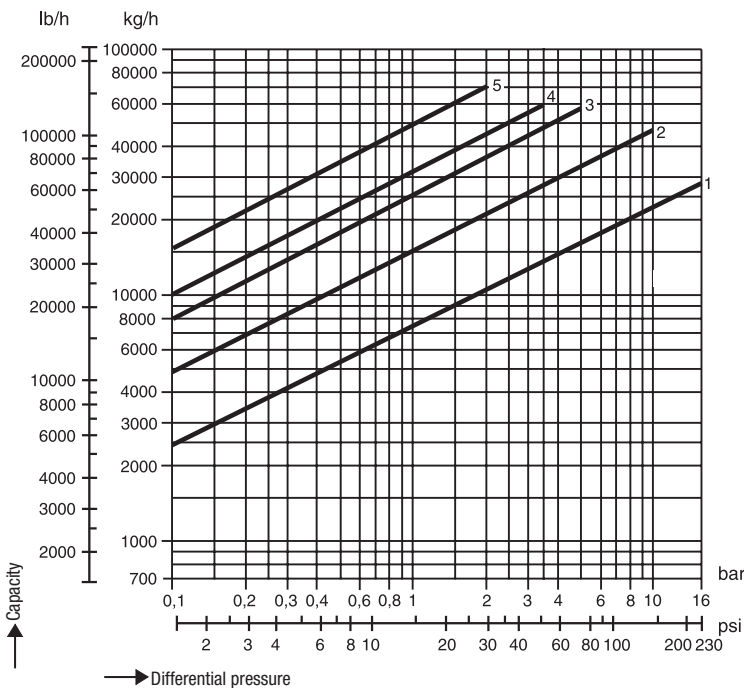
### Capacity Charts

The charts show the maximum hot condensate capacities for the range of orifices (AO) and sizes available.

#### UNA 43, UNA 46, DN 80 -150



#### UNA-Special Type 62B, PN 16

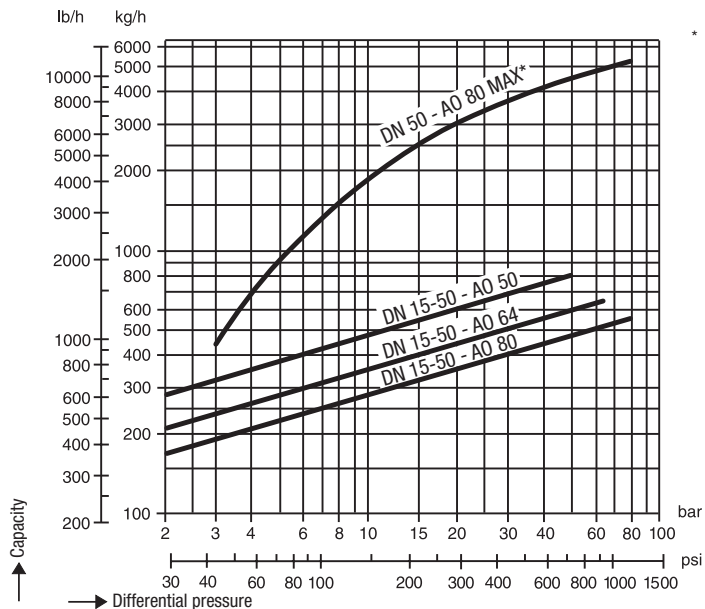


Available orifices (AO)		
1	DN 100	AO 16
2	DN 100	AO 10
3	DN 100	AO 5
4	DN 100	AO 3.5
5	DN 100	AO 2

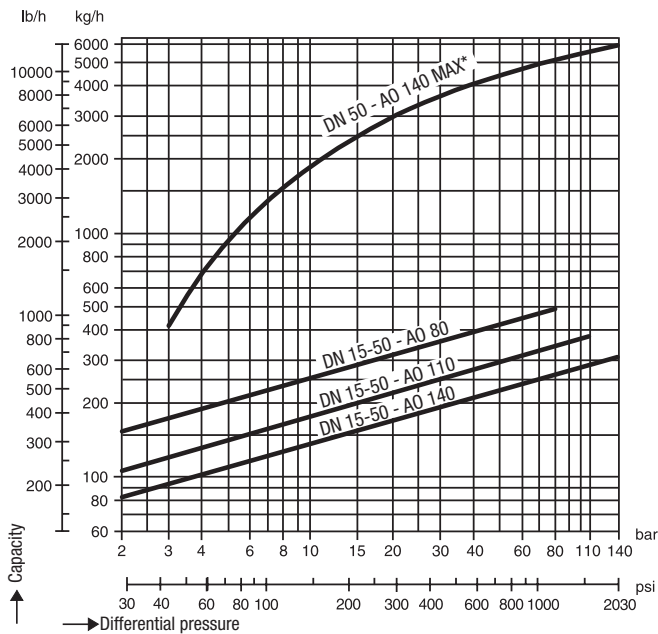
### Capacity Charts

The charts show the maximum hot condensate capacities for the range of float-controlled orifices (AO) and sizes available.

#### UNA 38



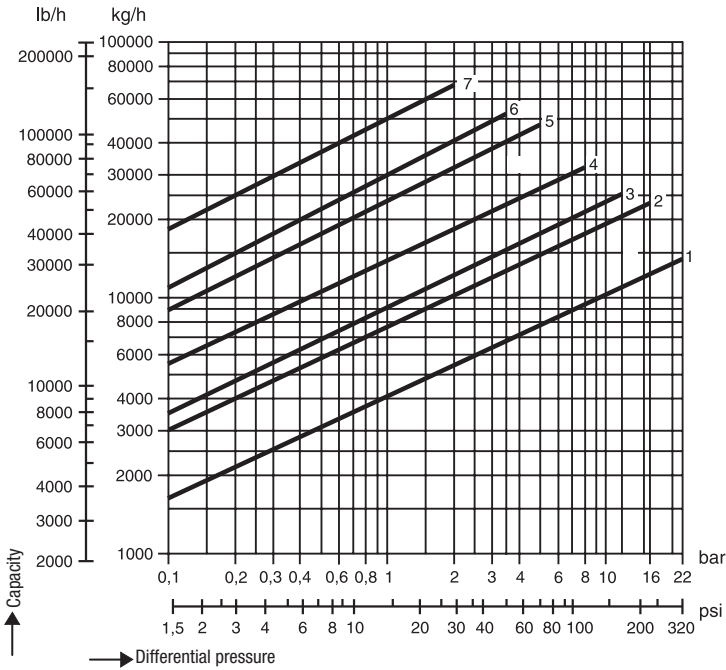
#### UNA 39



### Capacity Charts

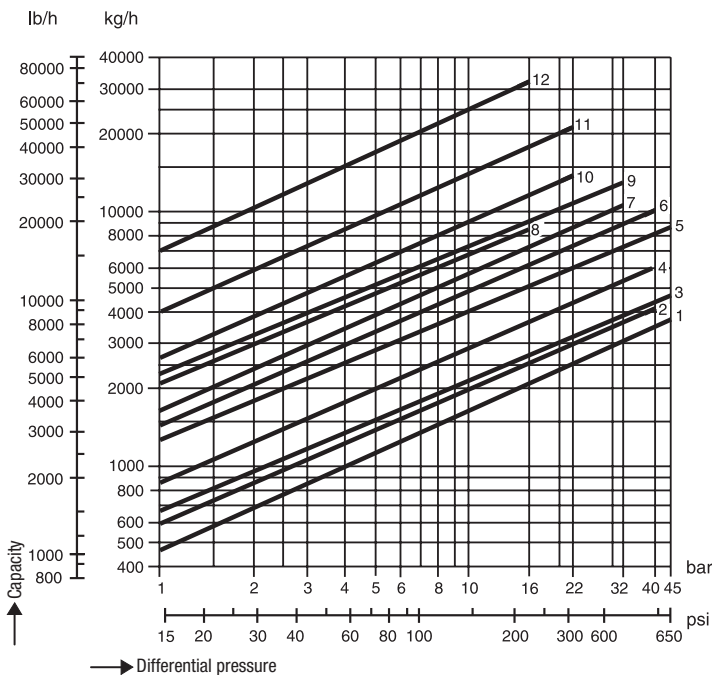
The charts show the maximum hot condensate capacities for the range of orifices (AO) and sizes available.

#### UNA PN 25, DN 100

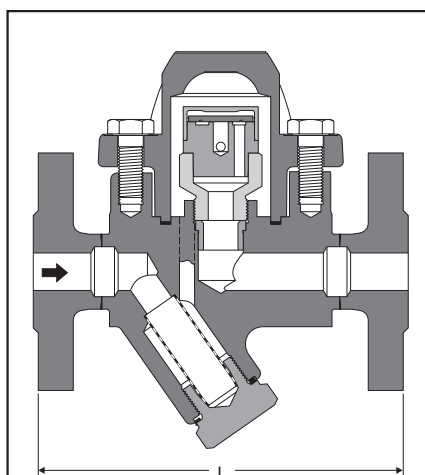


Available orifices (AO)		
1	DN 100	AO 22
2	DN 100	AO 16
3	DN 100	AO 12
4	DN 100	AO 8
5	DN 100	AO 5
6	DN 100	AO 3.5
7	DN 100	AO 2

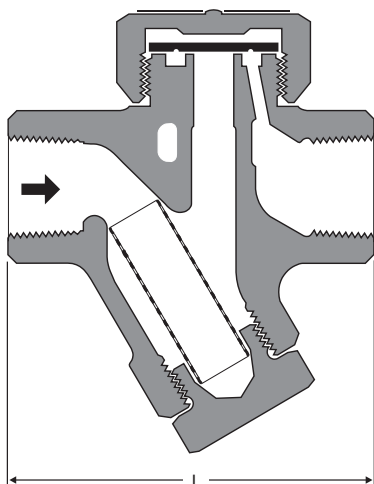
#### UNA-Special PN 63 (PN 40)



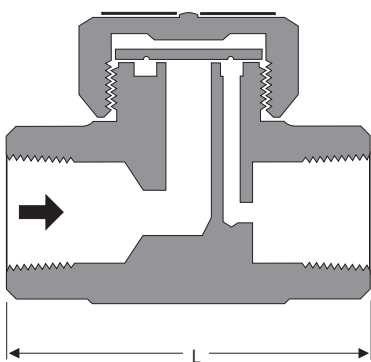
Available orifices (AO)		
1	DN 65	AO 45
2	DN 65	AO 40
3	DN 80	AO 45
4	DN 65	AO 32
	DN 80	AO 40
5	DN 100	AO 45
6	DN 65	AO 22
	DN 100	AO 40
7	DN 80	AO 32
8	DN 65	AO 16
9	DN 100	AO 32
10	DN 80	AO 22
11	DN 80	AO 16
	DN 100	AO 22
12	DN 100	AO 16



DK 45 



DK 47




DK 57

### Features of the DK series

- Discharge with virtually no banking-up
- Robust, insensitive regulator
- Installation in any position
- Max. admissible back pressure 80 % of the upstream pressure

### Application

Type		
DK 45		<b>Rhombusline body</b> with enclosed, weather-resistant regulator for discharging steam lines and tracing systems without banking-up of condensate
DK 47-L DK 57-L		<b>Compact steam trap</b> for small condensate flowrates for discharging steam lines and tracing systems without banking-up of condensate
DK 47-H DK 57-H		<b>Compact steam trap</b> for large condensate flowrates for discharging steam lines and tracing systems without banking-up of condensate

### Pressure/Temperature Ratings

Type	PN / Class	$\Delta$ PMX bar	Material		Pressure/Temp. Rating <sup>1)</sup>		
			EN	ASTM	PMA bar	TMA °C	p/T bar/°C
DK 45	PN 40	32	1.0460	A105	40.0	420	27.6 / 300 17.1 / 420
DK 47	PN 63 / Class 600	42	1.4027 <sup>2)</sup>	A743-CA40	63.0	400	50.0 / 300 42.0 / 400
DK 57	PN 63 / Class 600	42	1.4021 <sup>2)</sup>	AISI420	63.0	400	50.0 / 300 42.0 / 400

- <sup>1)</sup> Limits for body/cover. Functional requirements may restrict the use to below the limits quoted.  
For full details on limiting conditions depending on end connection and type of regulator see data sheet.
- <sup>2)</sup> ASTM nearest equivalent is stated for guidance. Physical and chemical properties comply with EN.

### Available End Connections and Overall Length

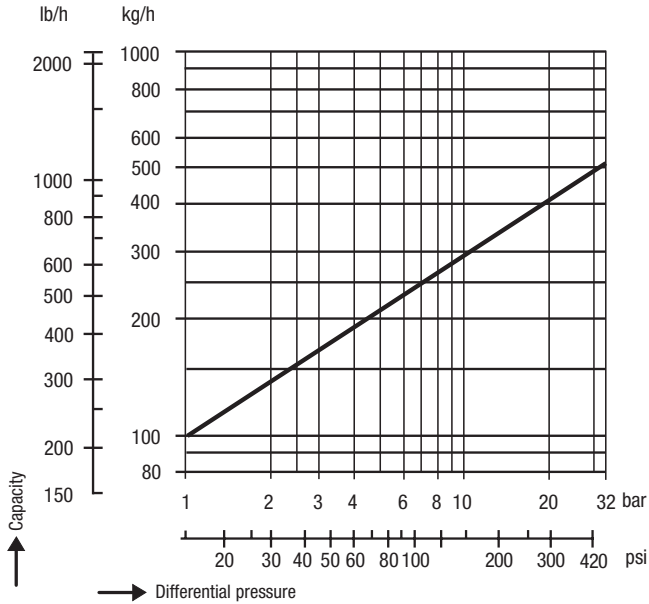
Type	Connections	Overall length (L) in mm			
		DN 10 3/8"	DN 15 1/2"	DN 20 3/4"	DN 25 1"
DK 45	Flanged EN PN 40	–	150	150	160
	Flanged ASME 150 <sup>1)</sup>	–	150	150	160
	Flanged ASME 300 <sup>1)</sup>	–	150	150	160
	Screwed sockets	–	95	95	95
	Socket-weld (SW)	–	95	95	95
	Butt-weld (BW)	–	200	200	200
DK 47-L	Screwed sockets	78	78	90	95
DK 47-H	Screwed sockets	–	78	90	95
DK 57-L	Screwed sockets	55	65	80	–
DK 57-H	Screwed sockets	–	70	80	90

<sup>1)</sup> DK 45 with flanged ASME: Overall length 172 mm on request.

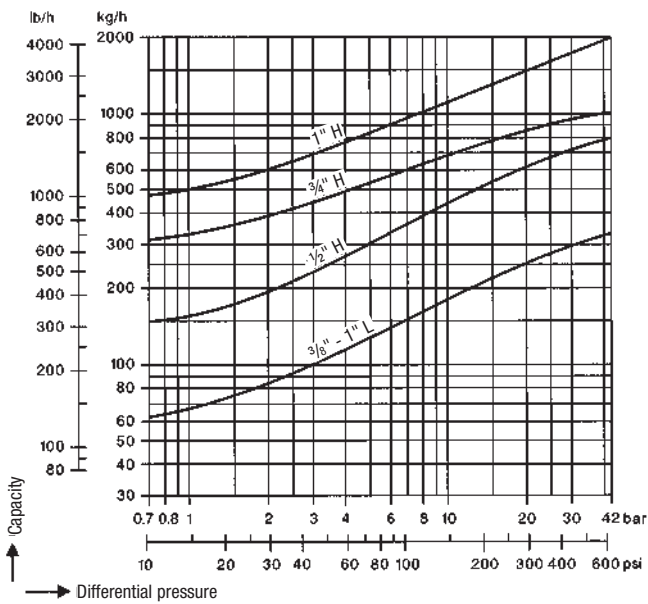
### Capacity Charts

The charts show the maximum hot condensate capacities.

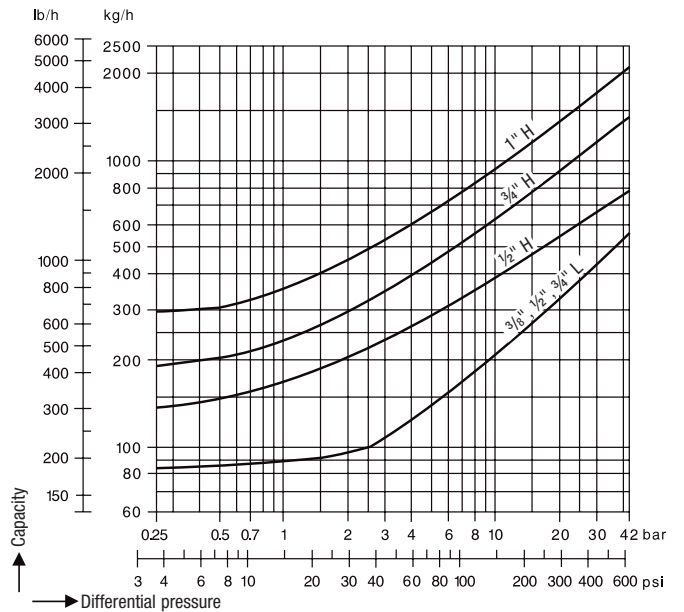
#### DK 45

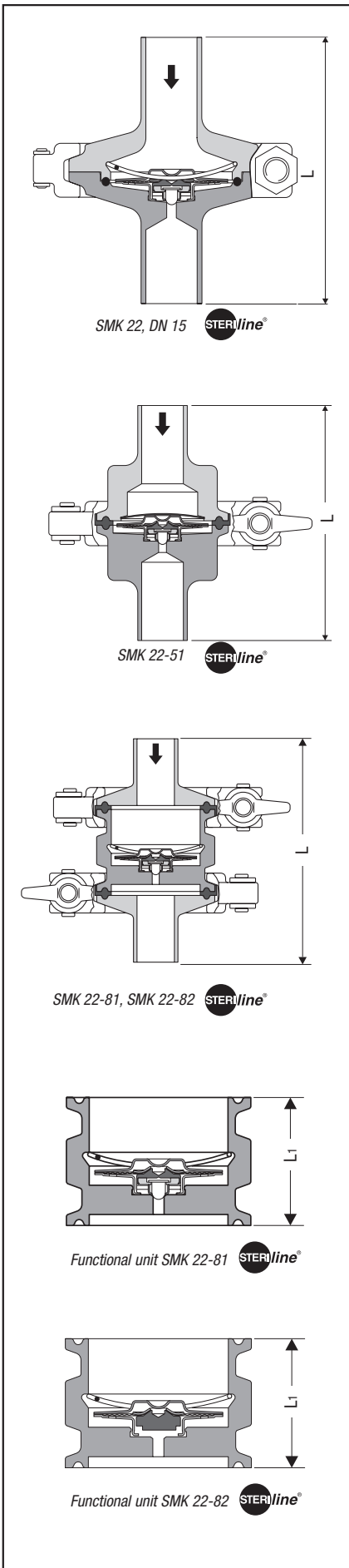


#### DK 47



#### DK 57





**Application**

Type	
<b>SMK 22</b> 	<b>Virtually pocket-free</b> For small and medium condensate flowrates. Surface finish acc. to DIN 11864, hygienic class H3. Surface roughness Ra of the wetted surface < 0.8 µm.
<b>SMK 22-51</b> 	<b>Virtually pocket-free</b> For small and medium condensate flowrates. Surface finish acc. to DIN 11864, hygienic class H3. Surface roughness Ra of the wetted surface < 0.8 µm.
<b>SMK 22-81</b> 	<b>Virtually pocket-free</b> For small and medium condensate flowrates. Functional unit easy to exchange. Surface finish acc. to DIN 11864, hygienic class H3. Surface roughness Ra of the wetted surface < 0.8 µm.
<b>SMK 22-82</b> 	<b>Virtually pocket-free</b> For medium and large condensate flowrates. Functional unit easy to exchange. Surface finish acc. to DIN 11864, hygienic class H3. Surface roughness Ra of the wetted surface < 0.8 µm.
<b>Functional unit SMK 22-81</b> 	<b>Virtually pocket-free</b> For small and medium condensate flowrates. Surface finish acc. to DIN 11864, hygienic class H3. Surface roughness Ra of the wetted surface < 0.8 µm. Connection via socket for mounting between clamps DIN 32676-DN 40.
<b>Functional unit SMK 22-82</b> 	<b>Virtually pocket-free</b> For medium and large condensate flowrates. Surface finish acc. to DIN 11864, hygienic class H3. Surface roughness Ra of the wetted surface < 0.8 µm Connection via socket for mounting between clamps DIN 32676-DN 40.
<b>SRK 22A</b>	<b>Virtually pocket-free</b> Non-return valve for liquids, gases and steam. Connection via socket for mounting between clamps DIN 32676.

Other hygienic classes, evaluation standards and electropolished surface finish available on request.

**Pressure/Temperature Ratings**

Type	PN / Class	ΔPMX bar	Material		Pressure/Temp. Rating <sup>1)</sup>		
			EN	ASTM	PMA bar	TMA °C	p/T bar/°C
<b>SMK 22</b>	PN 10	6	1.4435	A276 316L <sup>2)</sup>	10.0	185 <sup>3)</sup>	10.0 / 20 6.0 / 185 <sup>3)</sup>
<b>SMK 22-51</b>	PN 10	6	1.4404	A182 316L <sup>2)</sup>	10.0	185 <sup>3)</sup>	10.0 / 20 6.0 / 185 <sup>3)</sup>
<b>SMK 22-81</b> <b>SMK 22-82</b>	PN 10	6	1.4404	A182-316L <sup>2)</sup>	10.0	185 <sup>3)</sup>	10.0 / 20 6.0 / 185 <sup>3)</sup>
<b>Functional unit SMK 22-81</b> <b>SMK 22-82</b>	PN 10	6	1.4404	A182-316L <sup>2)</sup>	10.0	185 <sup>3)</sup>	10.0 / 20 6.0 / 185 <sup>3)</sup>
<b>SRK 22A</b>	PN 10	–	1.4408 / 1.4571	A351 CF8M / AISI316Ti	10.0	185 <sup>3)</sup>	10.0 / 20 6.0 / 185 <sup>3)</sup>

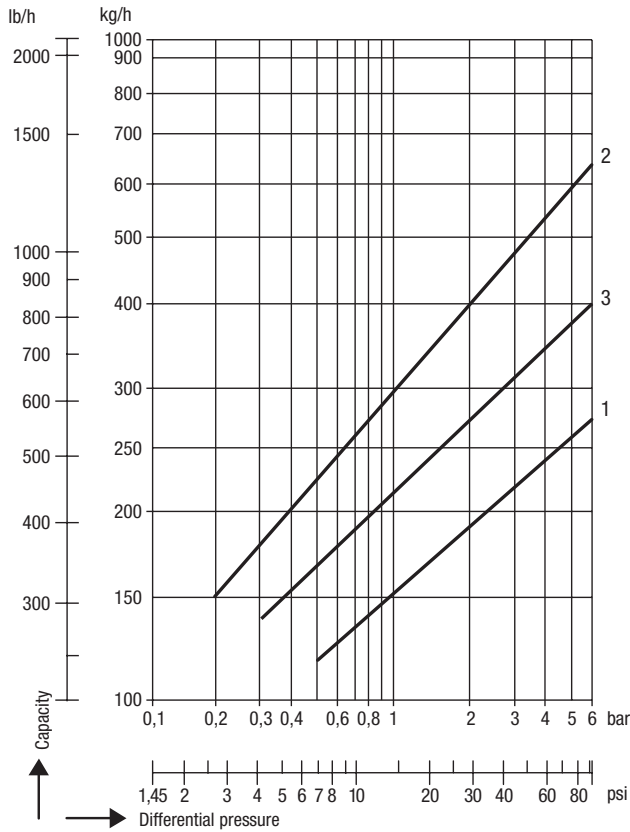
- 1) Limits for body/cover. Functional requirements may restrict the use to below the limits quoted.  
For full details on limiting conditions depending on end connection and type of regulator see data sheet.
- 2) ASTM nearest equivalent is stated for guidance. Physical and chemical properties comply with EN.
- 3) 185 °C with PTFE gasket, 150 °C with EPDM gasket.

**Available End Connections and Overall Length**

Type	Connections	Overall length (L) in mm						
		DN 10 3/8"	DN 15 1/2"	DN 20 3/4"	DN 25 1"	DN 32 1 1/4"	DN 40 1 1/2"	DN 50 2"
<b>SMK 22</b>	Butt-weld ends Clamp	83 65	83 65	83 65	83 65	–	–	–
<b>SMK 22-51</b>	Butt-weld ends Clamp	90 65	90 65	90 65	90 65	–	–	–
<b>SMK 22-81</b>	Butt-weld ends	96	96	96	96	–	–	–
<b>Functional unit SMK 22-81</b> <b>SMK 22-82</b>	Socket for mounting between clamps DIN 32676-DN 40 L1 standard	–	–	–	35	–	–	–
<b>SRK 22A</b>	Socket for mounting between clamps DIN 32676	–	23	29.5	33.5	38	43	54

Capacity Charts

SMK 22, SMK 22-51, SMK 22-81, SMK 22-82



The chart shows the maximum capacities for hot and cold condensate.

**Curve 1 SMK 22, SMK 22-51, SMK 22-81**

This curve indicates the max. capacity of hot condensate that the steam trap with regulating membrane *Steriline* can discharge with virtually no banking-up.

**Curve 2 SMK 22, SMK 22-51, SMK 22-81, SMK 22-82**

This curve shows the max. capacity of cold condensate that the steam trap can discharge (20 °C at start-up).

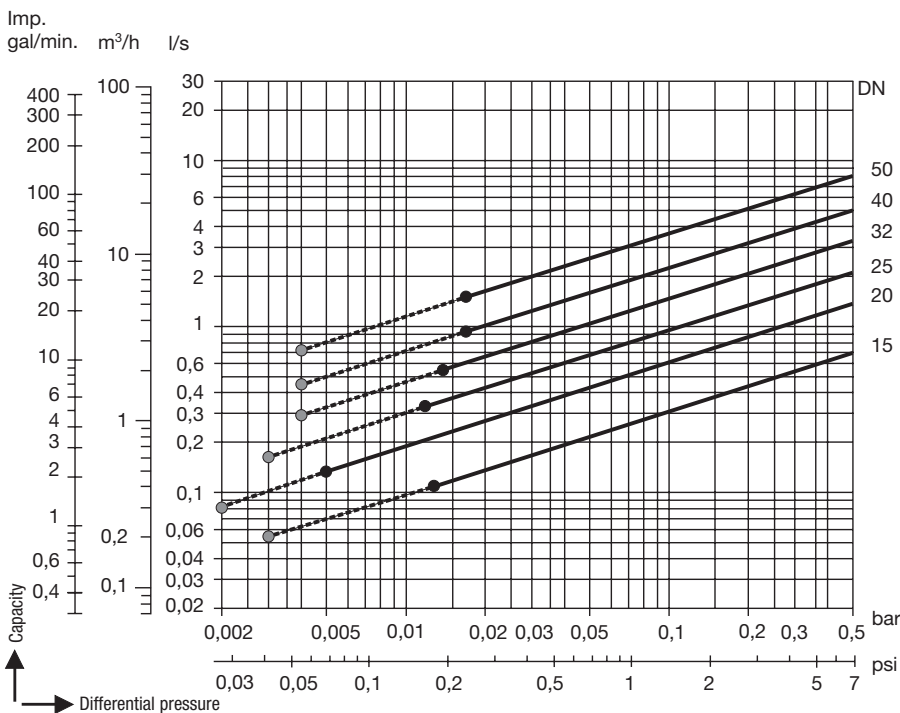
**Curve 3 SMK 22-82**

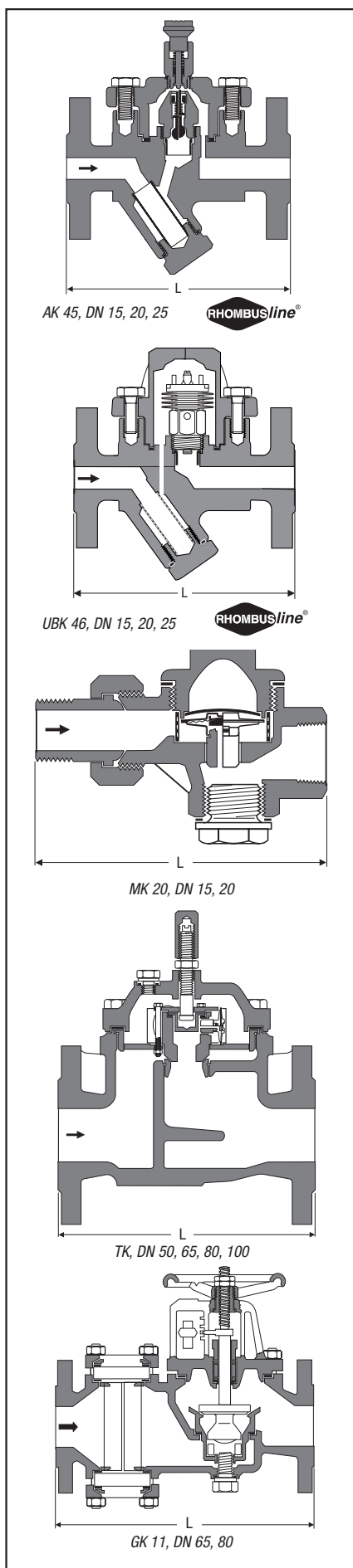
This curve indicates the max. capacity of hot condensate that the steam trap with regulating membrane *Steriline* can discharge with virtually no banking-up.

Other steam traps and non-return valves for sterile and aseptic applications:

- MK 45A-1 and MK 45A-2** see pages 8 – 9
- MK 36/51 and MK 36/52** see pages 8 – 9
- UNA 16A** see pages 10 – 13
- UNA 46A** see pages 10 – 13
- VKE stainless steel** see pages 29 – 30
- RK 86A** see pages 46 – 47
- RK 16A** see pages 48 – 49
- RK 26A** see pages 48 – 49

SRK 22A





### Application

Type	
<b>AK 45</b> RHOMBUSline®	Condensate drain valve for discharging condensate from steam systems during start-up and draining residual condensate at shut-down, with integral Y-type strainer and hand purging knob. Factory-set closing pressure 0.8 bar, optional: 0.25 bar, 0.5 bar, 1.5 bar.
<b>UBK 46</b> RHOMBUSline®	Steam trap with adjustable condensate discharge temperature, thereby suppressing the formation of flash steam. With Y-type strainer.
<b>MK 20</b>	Steam trap for low-pressure steam-heating installations.
<b>TK 23, TK 24</b>	Steam trap with thermostatic pilot control using thermostatic capsules for the discharge of very large condensate flowrates with relatively continuous condensate formation.
<b>GK 11</b>	Thermodynamic steam trap with stage nozzle for the discharge of very large condensate flowrates. With integral Vaposcope (sightglass) for optimum trap adjustment.

### Pressure/Temperature Ratings

Type	PN / Class	ΔPMX bar	Material		Max. Pressure/Temperature Rating <sup>1)</sup>			
			EN	ASTM	PMA bar	TMA °C	p/T bar/°C	
<b>AK 45</b>	PN 40	–	1.0460	A105	40.0	420	27.6 / 300	17.1 / 420
<b>UBK 46</b>	PN 40	32	1.0460	A105	40.0	420	27.6 / 300	17.1 / 420
<b>MK 20</b>	PN 6	4.5	5.3103	–	6.0	300	4.5 / 250	3.6 / 300
<b>TK 23</b>	PN 16	5 / 10	5.1301	A126 Cl.B <sup>2)</sup>	16.0	300	16.0 / 120	10.0 / 300
<b>TK 24</b>	PN 25	5 / 14	1.0619	A216 WCB	25.0	400	19.4 / 200	14.2 / 400
<b>GK 11</b>	PN 10/16	6	5.1301	A126 Cl.B <sup>2)</sup>	16.0 <sup>3)</sup>	300	16.0 / 120 <sup>3)</sup>	13.0 / 300 <sup>3)</sup>

- <sup>1)</sup> Limits for body/cover. Functional requirements may restrict the use to below the limits quoted. For full details on limiting conditions depending on end connection and type of regulator see data sheet.
- <sup>2)</sup> ASTM nearest equivalent is stated for guidance. Physical and chemical properties comply with EN.
- <sup>3)</sup> GK 11, DN 100/150, PN 10, max. 10 bar

### Available End Connections and Overall Lengths

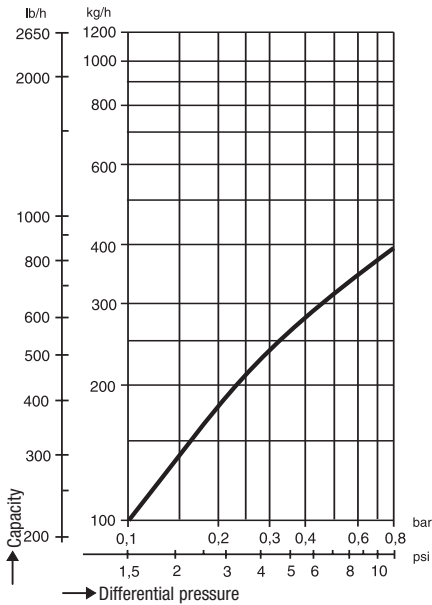
Type	Connection	Overall length (L) in mm							
		DN 15 1/2"	DN 20 3/4"	DN 25 1"	DN 50 2"	DN 65 2 1/2"	DN 80 3"	DN 100 4"	DN 150 6"
<b>AK 45</b>	Flanged EN PN 40	150	150	160	–	–	–	–	–
	Flanged ASME 150	150	150	160	–	–	–	–	–
	Flanged ASME 300	150	150	160	–	–	–	–	–
	Screwed sockets	95	95	95	–	–	–	–	–
<b>UBK 46</b>	Flanged EN PN 40	150	150	160	–	–	–	–	–
	Flanged ASME 150	150	150	160	–	–	–	–	–
	Flanged ASME 300	150	150	160	–	–	–	–	–
	Screwed sockets	95	95	95	–	–	–	–	–
	Socket-weld (SW)	95	95	95	–	–	–	–	–
<b>MK 20<sup>1)</sup></b>	Male/female thread	120	125	–	–	–	–	–	–
<b>TK 23</b>	Flanged EN PN 16	–	–	–	230	290	310	350	–
<b>TK 24</b>	Flanged EN PN 25	–	–	–	230	290	310	350	–
<b>GK 11</b>	Flanged EN PN 10/16	–	–	–	–	420	420	–	–

<sup>1)</sup> Straight-through or angle design (see representation)

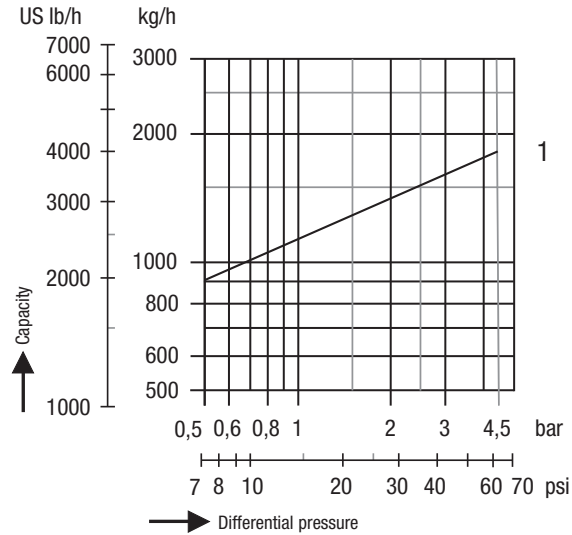
## Capacity Charts

The charts show the maximum hot condensate capacities. (Exception: AK 45 – cold water capacity.)

### AK 45 Cold water capacity



### MK 20

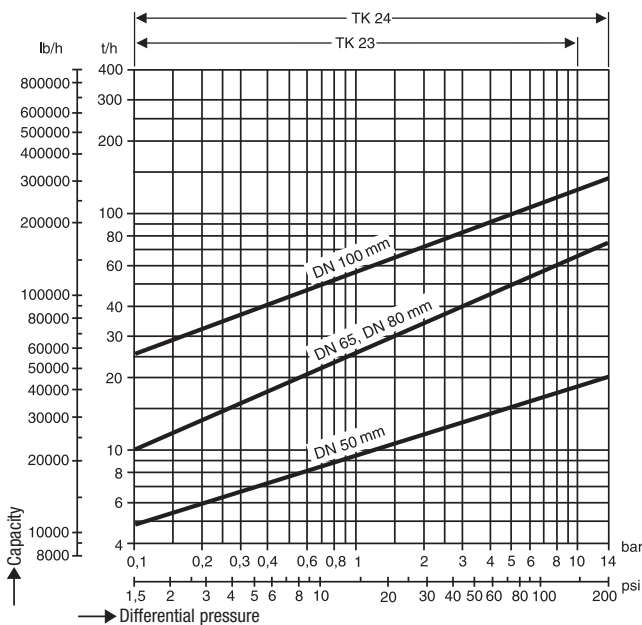


### Capacities, opening temperatures UBK 46

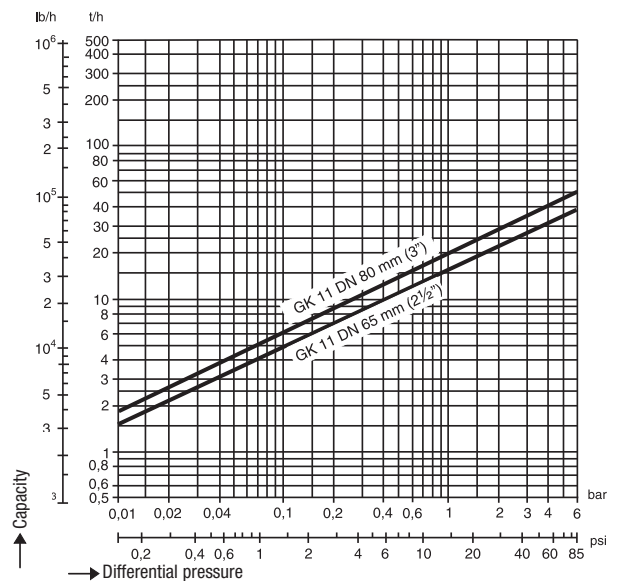
Service pressure	barg	1	2	4	8	12	16	20	26	32
Factory-set opening temperature	°C	60	64	72	84	93	102	110	118	128
Capacity at t 10 K below opening temperature	kg/h	30	60	90	120	130	140	150	160	170
Cold water capacity at 20 °C (start-up capacity)	kg/h	250	320	480	760	1020	1280	1500	1780	2040

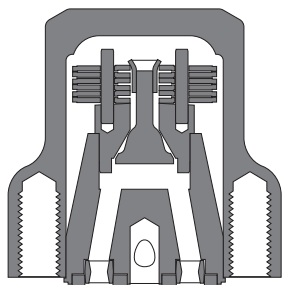
### TK 23, TK 24

For differential pressures < 1 bar use capsule "OH2"  
(max. service pressure 5 bar).

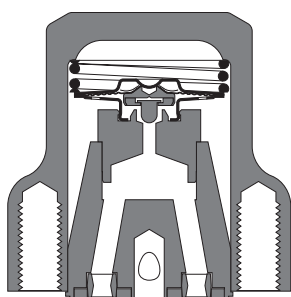


### GK 11

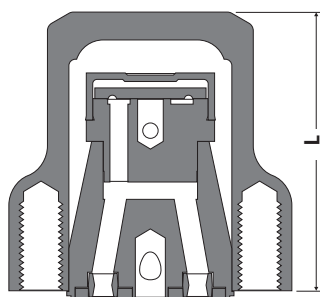




BK 36A/7



MK 36A/71



DK 36A/7

### Features

- Maintenance-free, ultra-compact steam traps made from stainless steel, suitable for all UNIVERSAL (Swivel) connectors
- Installation in any position
- Integrated spiral wound gasket for connector
- Only two screws make for a quick and easy installation
- All steam trap units are optionally available with a UNIVERSAL connector (not fitted), e.g. UC 36, UCY 36 or TS 36.

### Application

Type	
<b>BK 36A/7</b>	<b>Thermostatic/thermodynamic bimetallic</b> trap unit with corrosion-resistant Duo S.S. regulator unaffected by waterhammer, for condensate with virtually no banking-up and automatic air-venting of steam lines and tracing systems.
<b>MK 36A/71</b> <b>MK 36A/72</b>	<b>Thermostatic capsule</b> trap unit with corrosion-resistant membrane regulator 5N1 unaffected by waterhammer, for condensate discharge with virtually no banking-up and automatic air-venting of steam lines and tracing systems.
<b>DK 36A/7</b>	<b>Thermodynamic</b> trap unit for condensate discharge with virtually no banking-up.
<b>IB 16A-7</b>	<b>Inverted bucket</b> trap unit for condensate discharge with no banking-up

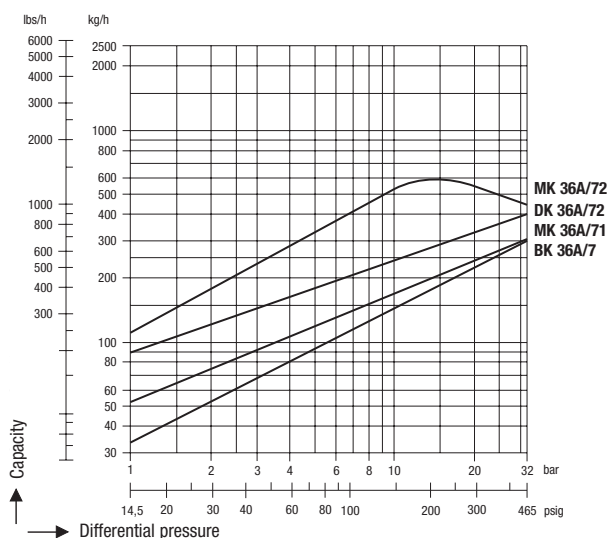
### Specification

Type	PN / Class	ΔPMX bar	Material		Pressure /Temperature <sup>1)</sup>			
			EN	ASTM	PMA bar	TMA °C	p/T bar/°C	
<b>BK 36A/7</b>	Class 300	32	1.4408	A351-CF8M	49.6	400	31.6 / 300	29.4 / 400
<b>MK 36A/71, MK 36A/72</b>	Class 300	32	1.4408	A351-CF8M	49.6	400	31.6 / 300	29.4 / 400
<b>DK 36A/7</b>	Class 300	32	1.4408	A351-CF8M	49.6	400	31.6 / 300	29.4 / 400
<b>IB 16A-7</b>	–	27.6	1.4306	A240-304L	–	425	–	28.0 / 425

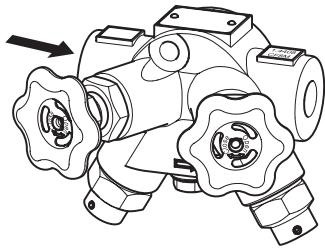
<sup>1)</sup> Limits for body/cover. Functional requirements may restrict the use to below the limits quoted.  
For full details on limiting conditions depending on end connection and type of regulator see data sheet.

### Available Connections and Lengths

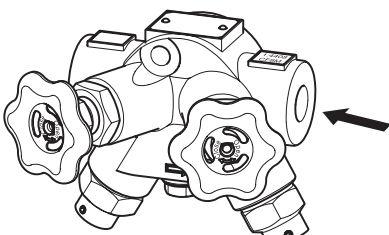
Type	Connection	Length L		
		1/2"	3/4"	1"
<b>BK 36A/7; MK 36A/71; MK 36A/72; DK 36A/7</b>	Universal connector	65	65	65
<b>IB 16A-7</b>	Universal connector	178	178	178



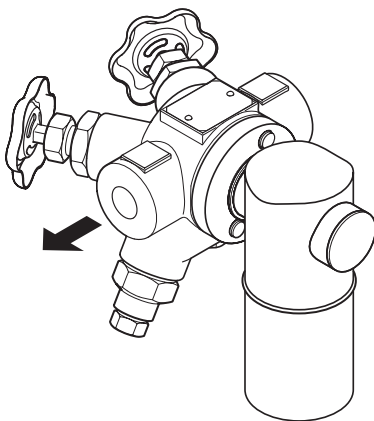
The chart shows the discharge capacity of hot condensate



TS 36-1



TS 36-2



TS 36 with IB 16A-7

The compact-type Trap Station TS 36 features additional test and shut-off functions and is a more convenient alternative to the simpler connector units UC 36 and UCY 36.

When installed with a suitable steam trap with UNIVERSAL (Swivel) connector (sold separately) the equipment can discharge condensate from steam systems.

The two in-built **isolating valves** are designed to completely shut off the condensate inlet and outlet independently from each other.

The integral **blowdown valve** provides a means for cleaning the strainer and the **test valve** enables the steam trap operation to be checked.

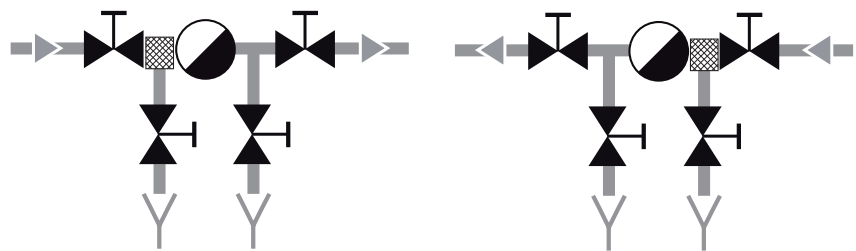
The steam traps can be easily attached to and removed from the TS 36 by means of only two screws.

**The following GESTRA connector steam traps can be used:**

- Bimetallic steam trap BK 36A/7
- Steam trap with membrane capsule MK 36A/71
- Steam trap with membrane capsule MK 36A/72
- Thermodynamic steam trap DK 36A/7
- Inverted bucket steam trap IB 16A-7

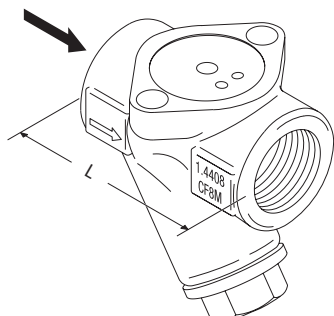
Non-GESTRA swivel connector steam traps can also be fitted to the TS 36.

**Schematic diagram**

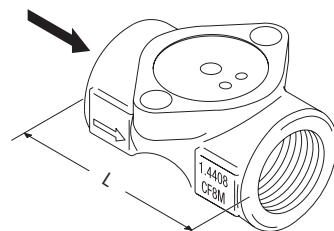


TS 36-1  
Flow direction from left to right

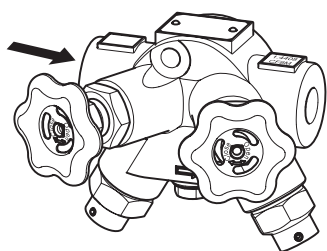
TS36-2  
Flow direction from right to left



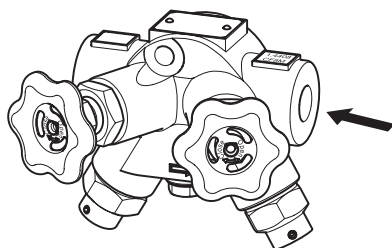
UCY 36



UC 36



TS 36-1



TS 36-2

### Features

- Body / internals made from corrosion-resistant stainless steels
- UNIVERSAL (Swivel) connector for steam trap
- Connector unit can remain in pipeline during maintenance work
- Steam trap unit is easy to install and remove by means of only two screws

### Application

Type	
UC 36	Universal connector
UCY 36	Universal connector with integrated strainer
TS 36-1	Compact-type connector unit with 2 isolating valves, test valve and strainer with blow-down valve. Coloured handwheels indicate inlet and outlet and assist in the correct installation. Flow direction from left to right.
TS 36-2	Compact-type connector unit with 2 isolating valves, test valve and strainer with blow-down valve. Coloured handwheels indicate inlet and outlet and assist in the correct installation. Flow direction from right to left.

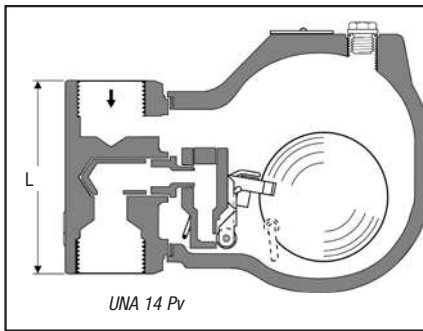
### Pressure/Temperature Ratings

Type UC 36, UCY 36, TS 36	ASME B 16.5 Class 300 (PN 50) Material Group 2.2					
p (pressure)	bar	49.6	42.2	35.7	31.6	29.4
T (temperature)	°C	38	100	200	300	400
PMO (max. service pressure)		33.7 bar at 242 °C				

Based on ASME B 16.5, ASME B 16.34

### Available Connections and Lengths

Type	Connection	Length L in mm		
		1/2"	3/4"	1"
UC 36, UCY 36	Screwed sockets NPT Screwed sockets G	75	75	75
TS 36-1, TS 36-2	Socket-weld ends	120	120	on request



### Features

- Liquid drainer for compressed air and gases with ball float and rolling ball valve
- The trap is suitable for draining gas and compressed air systems
- Purging device and connection for air-balance pipe included as standard
- Internals made from corrosion-resistant stainless steels
- Closing unit for temperatures up to 40 °C with rolling ball made from Perbunan, up to 120 °C with rolling ball made from stainless steel
- Body convertible for horizontal / vertical flow and left to right / right to left.

### Specification

Type	PN / Class	$\Delta$ PMX bar	Material		Pressure / Temperature <sup>1)</sup>		
			EN	ASTM	PMA bar	TMA °C	p/T bar/°C
UNA 14Ph, UNA 14Pv with S.S. valve ball	PN 25	16	5.3103	–	25.0	120	25.0 / 20 25.0 / 120
UNA 14Ph, UNA 14Pv with Perbunan valve ball	PN 25	16	5.3103	–	25.0	40	25.0 / 20 25.0 / 40

<sup>1)</sup> Limits for body/cover. Functional requirements may restrict the use to below the limits quoted.  
For full details on limiting conditions depending on end connection and type of regulator see data sheet.

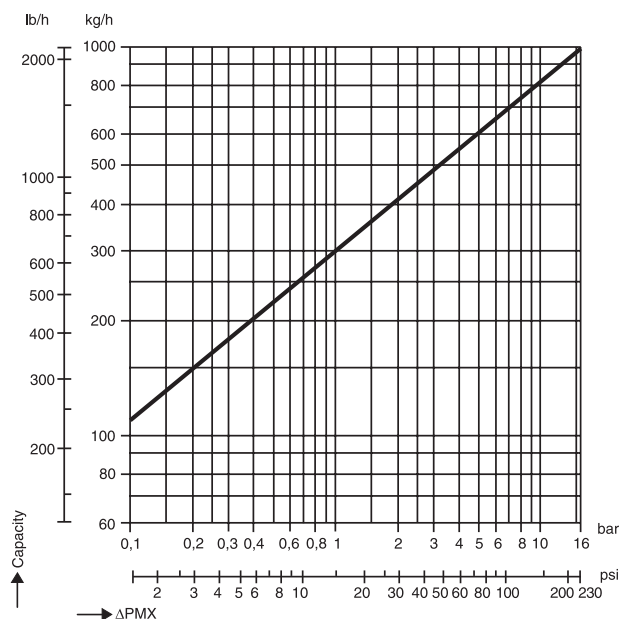
### Available End Connections and Overall Length

Type	Connection	Overall length L in mm		
		DN 15 1/2"	DN 20 3/4"	DN 25 1"
UNA 14 Ph	Screwed sockets <sup>3)</sup>	95	95	95
	Flanged EN PN 25	150	150	160
UNA 14 Pv	Screwed sockets <sup>3)</sup>	95	95	95
	Flanged EN PN 25	150	150	160

<sup>3)</sup> Screwed sockets BSP to EN ISO 228-1 or screwed sockets NPT

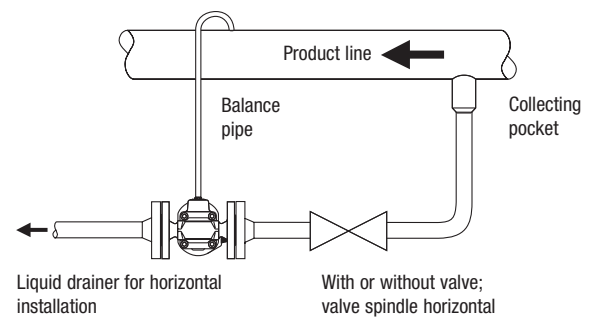
### Capacity Chart

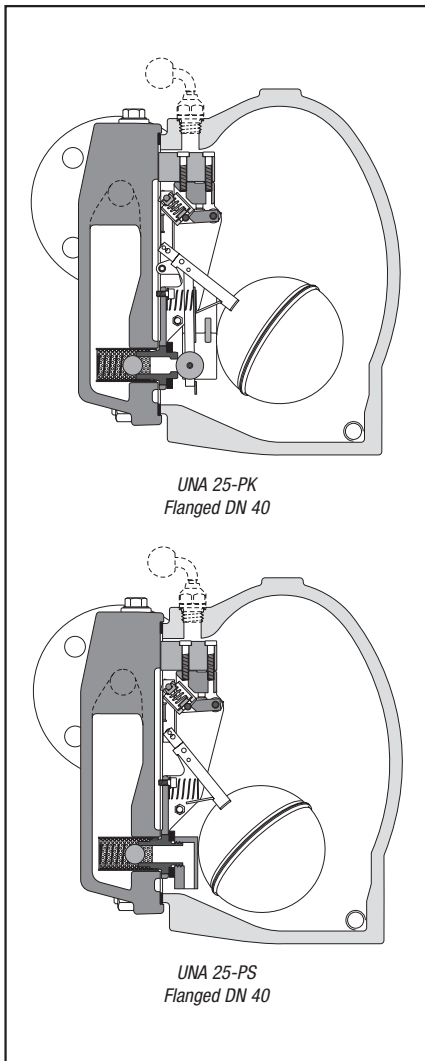
#### UNA 14P



### Hints on Installation

The condensate/distillate must be free to fall towards the trap. Isolating valves in horizontal lines lead to the formation of water pockets. In this case an air-balance pipe is required (see drawing).





**Description**

**UNA 25-PK:**

Ball-float operated steam trap with pumping function. The equipment works primarily as a steam trap. The integral automatic pump function ensures efficient condensate discharge even if the steam pressure is low or the back pressure high.

**UNA 25-PS:**

Float-operated condensate lifter, designed for effective return of condensate. Steam is used as motive power to displace condensate out of the body.

**Features**

- Integrated inlet and outlet check valves.
- Rolling ball valve (UNA 25-PK) for tight shut-off even with low condensate flowrates.
- Float-controlled compact changeover unit for controlling motive steam and deaeration.

**Specification**

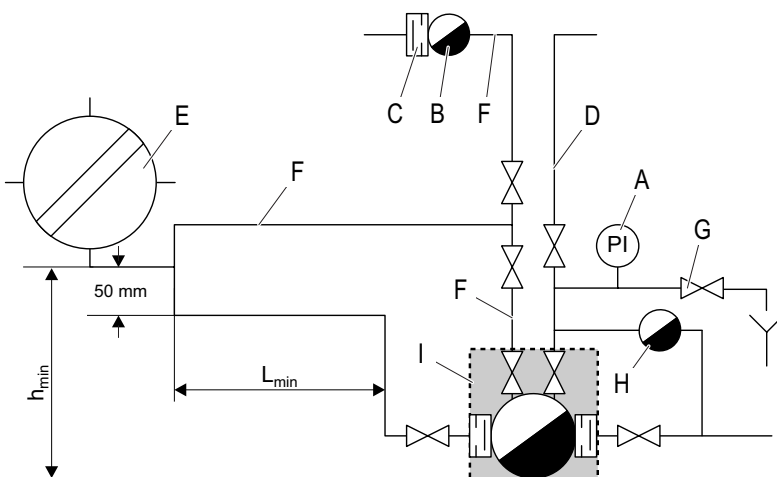
Type	PN / Class	Material		Pressure/Temperature <sup>1)</sup>					
		EN	ASTM <sup>2)</sup>	PMA bar	TMA °C	PMO bar	PMOB bar	p/T bar/°C	
UNA 25-PK	PN 40	5.3103	–	40.0	350	6.0 / 13.0	3.0 / 5.0	31.6 / 250	25.0 / 350
UNA 25-PK	Class 150	5.3103	A 395	17.2	350	6.0 / 13.0	3.0 / 5.0	12.1 / 250	6.6 / 350
UNA 25-PS	PN 40	5.3103	–	40.0	350	13.0	5.0	31.6 / 250	25.0 / 350
UNA 25-PS	Class 150	5.3103	A 395	17.2	350	13.0	5.0	12.1 / 250	6.6 / 350

<sup>1)</sup> Limits for body/cover. Functional requirements may restrict the use to below the limits quoted. For full details on limiting conditions depending on end connection and type of regulator see data sheet.

<sup>2)</sup> ASTM nearest equivalent is stated for guidance. Physical and chemical properties comply with EN.

**Available Connections and Lengths**

Type	Connection	Length L in mm DN 40 1½"
UNA 25-PK UNA 25-PS	Flanged EN PN 40	230
	Flanged ASME 150	227
	Screwed G or NPT	227



**Key**

- A Pressure gauge
  - B Thermostatic steam trap for air venting, e. g. MK
  - C Optional non-return valve in order to prevent air from entering if a vacuum is formed.
  - D Motive steam line (drained, DN 15)
  - E Heat exchanger
  - F Vent line, DN 15
  - G Pressure compensation valve
  - H Thermostatic steam trap for draining motive steam line, e. g. BK
  - I UNA 25-PK/UNA 25-PS
- $L_{min}$  2.5 m, DN 40  
 $h_{min}$  0.5 m

**Important Notes**

The equipment must be hooked up to the pipes as shown in the graphical representation. Please take the following items into consideration:

- A motive steam line must be available and connected (connection: female thread, G ½)
- A vent line must be available and connected (connection: female thread, G ½)
- Minimum filling head required between condensate outlet of the heat exchanger and the bottom of the equipment: 0.5 m.
- An inlet line (min. length 2.5 m) or buffer reservoir (volume: 3 l) is required.
- Maximum motive steam pressure, depending on design, is 6 or 13 barg.

Like any other industrial valve steam traps are subject to wear and their correct functioning can be impaired by precipitated solids and dirt deposits.

To assess the performance of a steam trap the following questions have to be answered:

- Does the steam trap work properly?
- If not, does the faulty trap cause loss of steam (leakage) or banking-up of condensate (obstructed discharge passage)?

**Faulty** steam traps are a major source of waste in a steam distribution system. A trap that is blowing live steam is the worst offender, but traps that are plugged or stuck closed can also be costly.

The decreased plant efficiency due to loss of energy and additional make-up water results in lost production. Furthermore, an increase of pressure is liable to arise in condensate systems which will lead to difficulties at all locations where condensate is discharged.

The magnitude of such a steam loss depends on the cross-sectional area of the leak and, at the same time, the amount of discharged condensate. Locations where only small amounts of condensate are formed and discharged, e. g. drainage points in steam lines and tracing systems, are particularly problematical. On the other hand, locations where relatively large amounts of condensate are discharged will not give rise to considerable loss of live steam because of the presence of a large volume of liquid.

Steam traps which are **obstructed or stuck closed** do not cause loss of energy and/or water but reduce – to a greater or lesser extent – the efficiency of heat-transfer equipment and steam users. And waterhammer caused by condensate banking-up leads to considerable physical damage in steam and condensate systems.

Experience shows that installations where no regular trap testing and servicing takes place have a failure rate of defective steam traps in the order of 15 – 25 %. Regular maintenance and trap testing, which should be carried out at least once a year, can strongly reduce the failure rate to 5 %.

## Test Systems

Steam traps can be tested during operation by using **sightglasses**, **ultrasonic listening devices** or **level meters**.

**Sightglasses (Vaposcopes Type VK 14, VK 16)** provide an effective means of observing the flow of liquids in pipework. They are installed upstream of the traps, and allow the assessment of the traps by making their operation visible.

**Level meters** use conductivity readings to monitor steam trap performance. A test chamber with an integral level electrode is installed upstream of the trap to detect any defective steam trap. The level switch NRS 1-52 then relays the corresponding output signal.

The system **VKE** can monitor all types and makes of steam traps to detect loss of live steam. The correct operation of RHOMBUS/line steam traps type BK 45/46, MK 45, UBK 46 can be verified by using the compact-type level probes NRG 16-19, NRG 16-27 and NRG 16-28.

Another way to test traps is to use an **ultrasonic listening device** which detects the sound produced by steam flowing through the traps. Depending on the test system used the sound sensed by the device is either graphically represented in the form of a curve (**VKP 42**) or indicated by the deflection on the scale of a meter (**VKP 10**).

When using the VKP 10, the field data specialist has to assess the indicator deflection and, consequently, the operation of the steam trap. The VKP 42, however, can directly track leaks associated with faulty steam traps and provides comprehensive reporting and a complete trap survey history.

## Annual costs caused by steam loss / potential savings

<b>Number of steam traps installed</b>		<input type="text"/>
<b>Annual failure rate</b> <small>(Empirical value with first check approx. 15 – 25 %)</small>		<input type="text"/>
<b>A</b>	<b>Number of defective steam traps</b>	<input type="text"/>
<b>B</b>	<b>Steam loss per steam trap (kg/h)</b>	<input type="text"/>
<b>C</b>	<b>Annual operating hours</b>	<input type="text"/>
<b>D</b>	<b>Annual steam loss (kg)</b>	<input type="text" value="A x B x C"/> = <input type="text"/>
<b>E</b>	<b>Cost of steam per ton</b>	<input type="text"/>
<b>F</b>	<b>Annual loss in EURO</b>	<input type="text" value="D / 1000 x E"/> = <input type="text"/>
<b>G</b>	<b>CO<sub>2</sub> saved per year (kg)</b>	<input type="text" value="D x 0,16*"/> = <input type="text"/>

\*) Results may vary as a function of the energy source used for generating steam and condensate return.

## Example

<b>A</b>	<b>Number of defective steam traps</b>	<b>20</b>
<b>B</b>	<b>Steam loss per steam trap</b>	<b>3 kg/h</b>
<b>C</b>	<b>Annual operating hours</b>	<b>8000 h</b>
<b>D</b>	<b>Annual steam loss</b>	<b>480,000 kg</b>
<b>E</b>	<b>Cost of steam per ton*)</b>	<b>60.00 Euro/t</b>
<b>F</b>	<b>Annual loss</b>	<b>28,800.– Euro</b>
<b>G</b>	<b>CO<sub>2</sub> saved per year</b>	<b>76,800 kg</b>

*By the way:*

*A new steam trap is available from approx. 400 €, including installation costs and depending on the type of connection.*



### Application

Type	
<b>Vaposcope VK 14, VK 16</b>	<b>Sightglass with borosilicate glass</b> for checking heat exchangers and steam traps (installation upstream of traps). Visual supervision of flow conditions in condensate lines.
<b>Vapophone VKP 10</b>	<b>Ultrasonic detector</b> for detecting steam leakage in steam systems; for monitoring steam traps and stop valves.
<b>TRAPtest Portal VKP 42 VKP 42 Ex</b>	<b>Computer-based monitoring, recording and evaluation system</b> for steam traps of all types and makes to detect loss of steam and condensate banking up.

### Vaposcope VK

The Vaposcope can be installed in horizontal and vertical lines (without conversion). Installation in **flow direction upstream of steam trap**. The application of the VK 14 is limited to fluids with pH 9. The VK 16 is fitted with mica disks as standard for applications up to pH 10.

### Pressure/Temperature Ratings

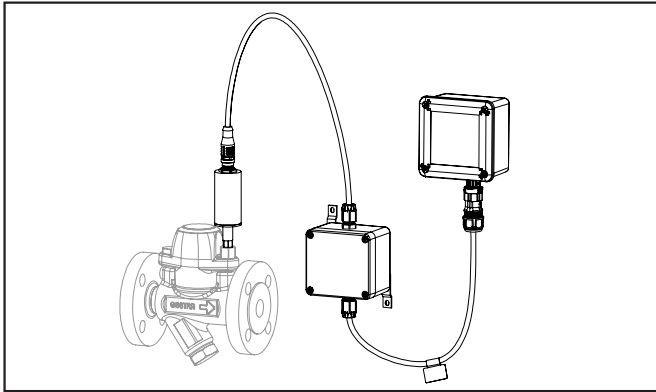
Type	PN / Class	Material		Pressure/Temperature <sup>1)</sup>			
		EN	ASTM	PMA bar	TMA °C	p/T bar/°C	
<b>VK 14</b>	PN 16	5.1301	A126 Cl.B <sup>2)</sup>	16.0	280	12.8 / 200	9.6 / 280
<b>VK 16</b>	PN 40	1.0460	A 105	40.0	300	30.4 / 250	27.6 / 300

- <sup>1)</sup> Limits for body/cover. Functional requirements may restrict the use to below the limits quoted.  
 For full details on limiting conditions depending on end connection and type of regulator see data sheet.  
<sup>2)</sup> ASTM nearest equivalent is stated for guidance. Physical and chemical properties comply with EN.

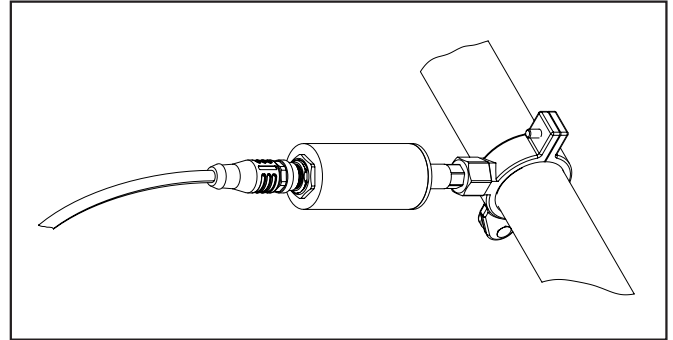
### Available Connections and Overall Lengths

Type	Connection	Overall length L in mm				
		DN 15 1/2"	DN 20 3/4"	DN 25 1"	DN 40 1 1/2"	DN 50 2"
<b>VK 14</b>	Flanged EN PN 16	130	150	160	200	230
<b>VK 16</b>	Flanged EN PN 40	150	150	160	230	230
	Flanged ASME 150	150	150	160	230	230
	Flanged ASME 300	150	150	160	230	230
	Screwed sockets	95	95	95	130	230
	Socket-weld	95	95	95	130	230
<b>VKE 16-1</b>	Flanged EN PN 40	150	150	160	–	–
	Flanged ASME 150	150	150	160	–	–
	Flanged ASME 300	150	150	160	–	–
	Screwed sockets	95	95	95	–	–
	Socket-weld	200	200	200	–	–

## Continuous steam trap monitoring with ecoBolt



If installation using the cover screw (PBS) is not possible, the ecoBolt is attached to the pipe by means of a pipe clip with sensor screw. This installation location is intended for steam traps from other manufacturers.



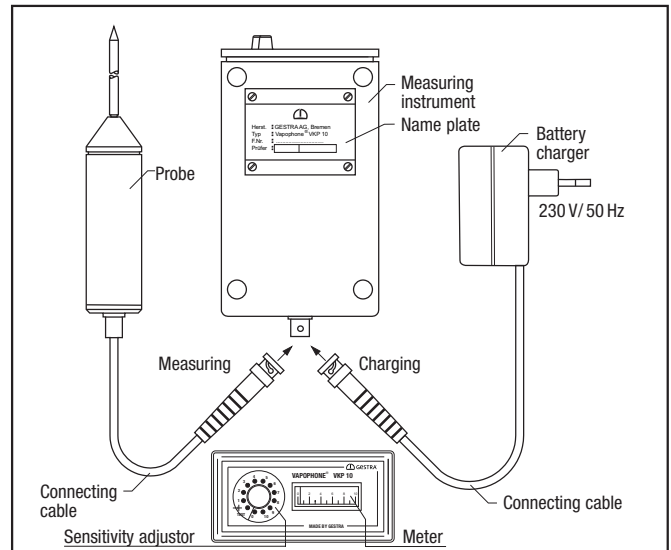
The ecoBolt can be screwed into a pressure-bearing screw (PBS) in place of a steam trap cover screw. This recommended installation location is available for the following GESTRA steam trap models and is the preferred option wherever possible: MK 45, MK 45A, BK 45, BK 46, DK 45, AK 45, UNA 14, UNA 16, UNA 16A, UNA 45, UNA46, UNA 46A; UNA 23, UNA 25, UNA 26, UNA 26A.

## Vapophone VKP 10

The VKP 10 is used to detect sound in the ultrasonic range as caused by steam flowing through a steam trap.

The ultrasonic vibrations are detected by a probe and converted into electric signals which are indicated on the meter of a measuring instrument.

**Protection: IP 41**



## VKP 42 (Ex) and TRAPtest portal

Cloud-based planning and evaluation tool for checking steam trap performance. Increase your productivity with the steam trap testing and evaluation system.

Intuitive operation and fast, reliable detection of faulty steam trap operating states are just some of the features of our VKP 42 testing system. With the new TRAPtest Portal software, you now have new, central and more powerful user and evaluation software at your disposal. This makes testing much more effective.

No PC installation is required, as you can access the software via a standard commercial browser. Furthermore the software provides analyses for optimum maintenance and helpful documentation to improve plant availability and safety.

- Cuts running costs
- Saves energy and CO<sub>2</sub> emissions
- Shortens the test time for a steam trap by up to 60%
- Simplified operation
- Superlative accuracy
- Central data storage and maximum data security
- Direct acquisition of test objects during the test
- QR codes, plates with integrated NFC tags and Auto-IDs reduce test times
- Improved documentation thanks to photos, GPS data etc.

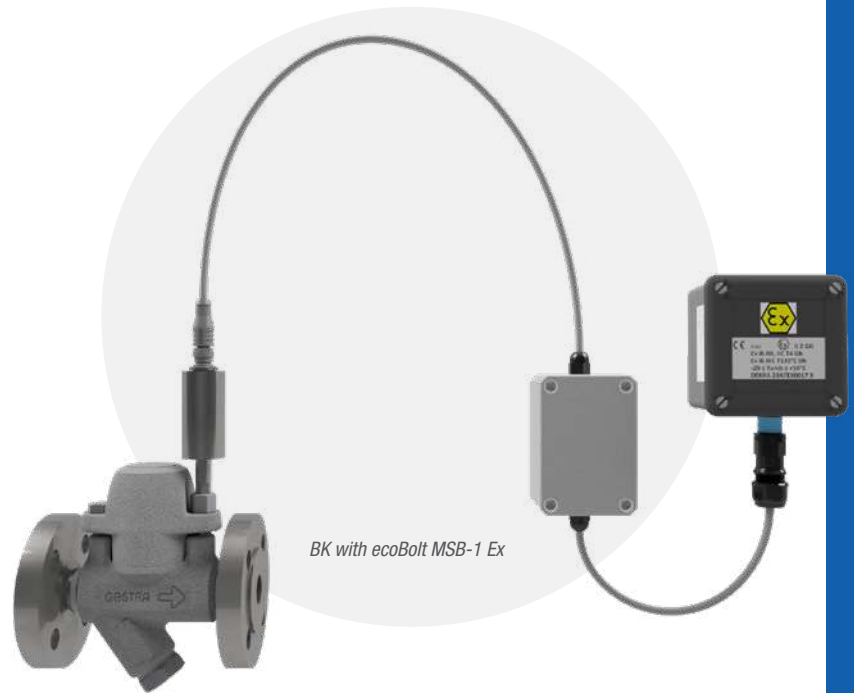


Testing and diagnostic system

# The ecoBolt Monitoring System

A1

The ecoBolt is a sensor fitted to a steam trap, designed for effective online monitoring of steam systems, used in heat exchangers, steam tracers and steam line drainage systems (up to DN 65 / 2 ½") and backed by a dedicated expert online support service.



## Product Features

- Pipe sizes from DN 15 to DN 65 / ½" to 2 ½"
- Surface temperatures up to 240°C
- Reliable status diagnostics and inherent steam know-how
- Compatible with proven TRAPtest VKP measurements
- Certified to ATEX
- Suitable for pressure ratings up to PN 40 / class 300
- Available for steam systems made of carbon steel or stainless steel
- Calibration certification included
- Battery powered
- ecoBolt integration in IoT platform using LoRa wireless technology

## Product Benefits

- GESTRA steam expert support available
- Use of tried and tested steam trap monitoring process
- Sensor directly attached to bolt on steam trap body ensures best signal to noise ratio
- Robust, bolted connection of sensor to steam trap. Flexible clamp mounting on pipes optionally available
- 90° adapter allows flexible sensor mounting in confined spaces

## YOUR BENEFITS

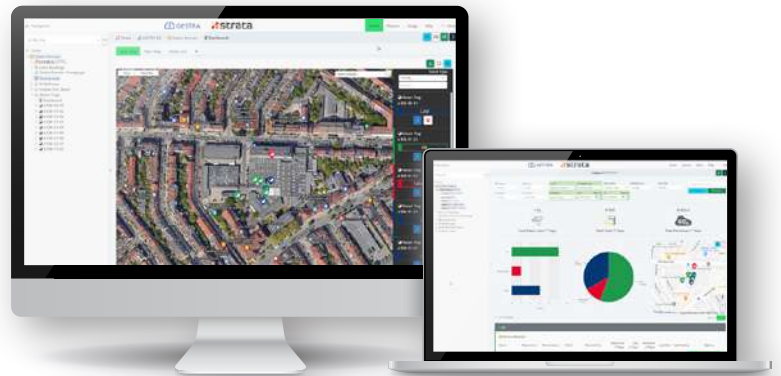
- Cost reduction thanks to immediate detection of steam leaks.
- Quickly discover undersized or blocked steam traps.
- Monitor steam trap performance under varying process conditions.

## The ecoBolt monitoring system:

### FUNCTION

The equipment monitors steam traps using ultrasonic and temperature measurements by a piezo element. These measurements are performed automatically at regular intervals. The measured data is analysed in the LoRa node and transferred to the LoRa gateway (accessory).

The data is transferred by LoRa wireless technology via network protocol. The measurement results are analysed on the basis of the sound and temperature values and parameters of the steam trap under test.



*Steam trap monitoring system*

### CoMApp

- Fast and efficient support during installation and maintenance of the continuous steam trap monitor
- Transfers metadata to the installed equipment and guarantees confusion-proof integration in the GESTRA IoT platform
- A data connection is required for loading the CoMApp and for transferring data (Wi-Fi or SIM card).

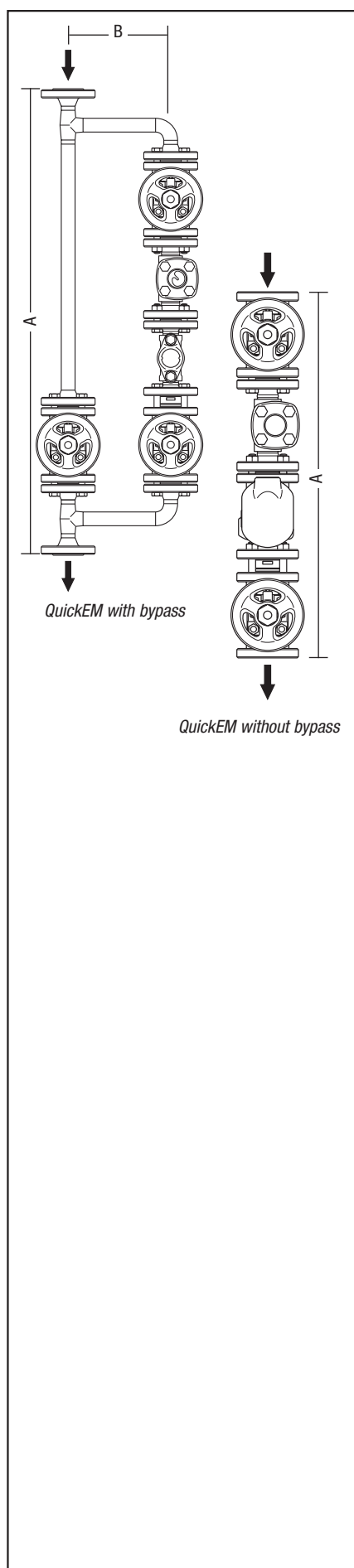
### PERFORMANCE PROFILE

- Continuous steam trap monitor for steam traps (e.g. GESTRA BK, MK and UNA)
- Readings are analysed inside the equipment
  - The LoRa payload includes test and analysis results
  - Connection to the LoRa network server via LoRa wireless technology
  - Option: Presentation of test and analysis results on the GESTRA IoT platform. To do this, the LoRa network server is connected to the GESTRA IoT platform via MQTT protocol.

### AVAILABLE ACCESSORIES

The following accessories are available for the equipment:

- Pressure-bearing screws made of steel or stainless steel
- Clamps for mounting on pipes
- Mounting system for pre-amplifier and LoRa node
- LoRa gateway
- Further accessories are available on request.



### Description

GESTRA Drain Modules QuickEM are completely interconnected units for horizontal or vertical installation with or without bypass. They come with valves and steam traps, non-return valves, sightglass and shut-off valves as well as all necessary pipes, fittings, flanges, gaskets and screws. Note that counterflanges, bolts and seals are not part of the supply. GESTRA QuickEM drainage modules are also available in a QuickEM Smartready version on request. This model is available in combination with BK 45, MK 45, UNA 45 and UNA 46 steam traps. In the Smartready version, the steam trap is fitted with a PBS for installing the ecoBolt. The ecoBolt must be ordered separately.

### Pressure & Temperature Limits / End Connections

#### QuickEM with and without bypass, flanges PN 16, EN 1092-1

Service pressure p	barg	16.0	14.4	12.8	11.2	9.6
Inlet temperature T	°C	20	100	200	250	280
pH value		≤ 9				
Δ PMX / Δ P (admissible differential pressure)	bar	see data sheets for steam traps				

#### QuickEM with and without bypass, flanges PN 40, EN 1092-1

Service pressure p	barg	40.0	37.1	33.3	30.4	27.6
Inlet temperature T	°C	20	100	200	250	300
pH value		≤ 10				
Δ PMX / Δ P (admissible differential pressure)	bar	see data sheets for steam traps				

### Dimensions and Weights

QuickEM with bypass	DN 15				DN 20				DN 25				DN 40				DN 50			
	Dimensions		Weight		Dimensions		Weight		Dimensions		Weight		Dimensions		Weight		Dimensions		Weight	
	mm		kg		mm		kg		mm		kg		mm		kg		mm		kg	
	A*)	B	PN 16	PN 40	A	B	PN 16	PN 40	A	B	PN 16	PN 40	A	B	PN 16	PN 40	A	B	PN 16	PN 40
QuickEM BK <sup>1)</sup>	821/841	200	21	25	908	200	27	31	988	200	45	49	1290	300	83	82	1452	300	102	101
QuickEM MK <sup>1)</sup>	821/841	200	21	25	908	200	27	31	988	200	45	49	1290	300	83	82	1452	300	103	102
QuickEM UNA 14	821/841	200	26	–	908	200	33	–	988	200	51	–	–	–	–	–	–	–	–	–
QuickEM UNA 16	821/841	200	–	27	908	200	–	34	988	200	–	53	–	–	–	–	–	–	–	–
QuickEM UNA 45 <sup>1)</sup>	–	–	–	–	–	–	–	–	–	–	–	–	1290	300	97	–	1452	300	115	–
QuickEM UNA 46	–	–	–	–	–	–	–	–	–	–	–	–	1290	300	–	96	1452	300	–	114

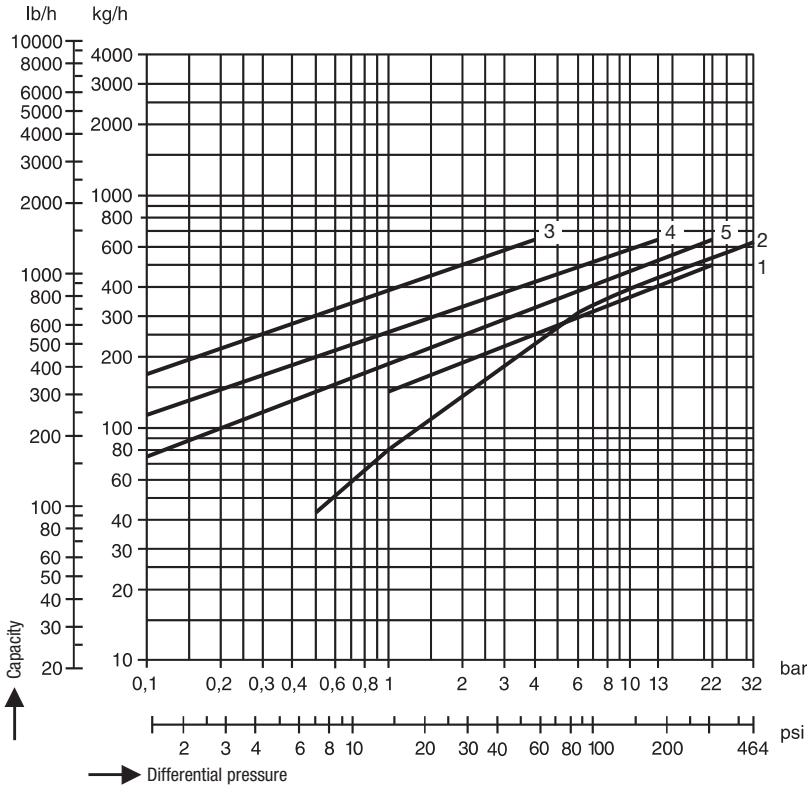
QuickEM without bypass	DN 15				DN 20				DN 25				DN 40				DN 50			
	Dimensions		Weight		Dimensions		Weight		Dimensions		Weight		Dimensions		Weight		Dimensions		Weight	
	mm		kg		mm		kg		mm		kg		mm		kg		mm		kg	
	A*)	B	PN 16	PN 40	A	B	PN 16	PN 40	A	B	PN 16	PN 40	A	B	PN 16	PN 40	A	B	PN 16	PN 40
QuickEM BK <sup>1)</sup>	564/584	–	11	14	627	–	14	17	670	–	16	20	870	–	50	49	968	–	59	58
QuickEM MK <sup>1)</sup>	564/584	–	11	14	627	–	14	17	670	–	16	20	870	–	50	49	968	–	59	58
QuickEM UNA 14	564/584	–	16	–	627	–	20	–	670	–	23	–	–	–	–	–	–	–	–	–
QuickEM UNA 16	564/584	–	–	17	627	–	–	21	670	–	–	23	–	–	–	–	–	–	–	–
QuickEM UNA 45 <sup>1)</sup>	–	–	–	–	–	–	–	–	–	–	–	–	870	–	64	–	968	–	73	–
QuickEM UNA 46	–	–	–	–	–	–	–	–	–	–	–	–	870	–	–	63	968	–	–	72

\*) PN 16 / PN 40 <sup>1)</sup> Not for QuickEM made from stainless steel. Other sizes available on request.

### Capacity Chart

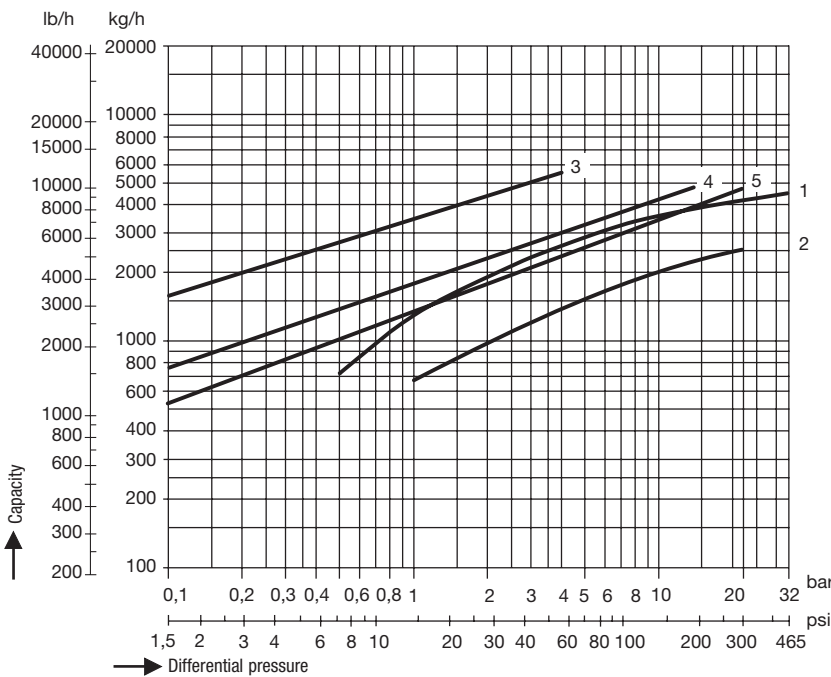
The charts show the maximum hot condensate capacities.

#### QuickEM DN 15 – DN 25

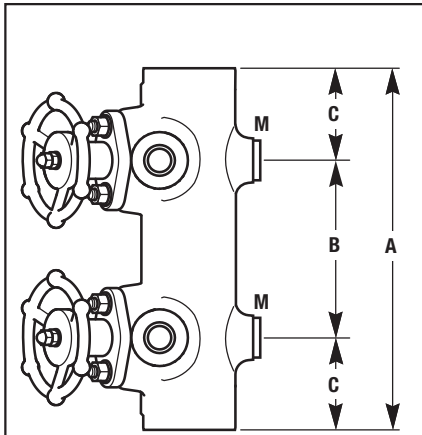


- UNA 14 DN 15-25 AO 4 (Curve 3)
- UNA 14 / UNA 16 DN 15-25 AO 13 (Curve 4)
- UNA 16 DN 15-25 AO 22 (Curve 5)
- BK 45 (Curve 1)
- MK 45-1 (Curve 2)

#### QuickEM DN 40 – DN 50



- UNA 45 / UNA 46 DN 40-50 AO 4 (Curve 3)
- UNA 45 / UNA 46 DN 40-50 AO 13 (Curve 4)
- UNA 46 DN 40-50 AO 22 (Curve 5)
- BK 15 (Curve 2)
- MK 25-2 (Curve 1)



Manifold MSC-125 and 160

### Description

GMF comprises a range of forged carbon steel compact manifolds with integral piston type stop valves for steam distribution and condensate collection duty.

### Materials

Type	DN	Pressure	EN <sup>1)</sup>	ASTM
MSC-125	15 – 20	Class 300	1.0460	A105N / LF2
MSC-160	15 – 20	Class 300	1.0460	A105N / LF2

<sup>1)</sup> ASTM nearest equivalent is stated for guidance. Physical and chemical properties comply with EN.

### Pressure/temperature limits

Type	Pressure	PMA <sup>2)</sup>	TMA <sup>2)</sup>
MSC-125	Class 300	51 bar / 38°C	425°C / 28 bar
MSC-160	Class 300	51 bar / 38°C	425°C / 28 bar

<sup>2)</sup> Note that the type of end connection may reduce the temperature/pressure limit.

### Dimensions in mm

	Number of connections	DN 15				DN 20			
		A	B	C	M	A	B	C	M
MSC04-125	4	255	125	65	M12	255	125	65	M12
MSC08-125	8	505				505			
MSC12-125	12	755				755			
MSC04-160	4	325	160	82,5	M12	325	160	82,5	M12
MSC08-160	8	645				645			
MSC12-160	12	970				970			

### Weight in kg

	Number of connections	DN 15	DN 20
MSC04-125	4	9	9
MSC08-125	8	18	18
MSC12-125	12	26	26
MSC04-160	4	10	10
MSC08-160	8	20	20
MSC12-160	12	30	30



## Description

The connecting kits for sizes DN 15 to DN 65 and pressures PN 10 to PN 40 contain the following parts required for connecting flanged valves and steam traps to pipe flanges:

- Nuts
- Bolts
- Gaskets

With the content of one connecting kit you can attach the inlet and outlet side of a steam trap or valve to the pipe flange. Normally two gaskets, 8 nuts and 8 bolts are required for this purpose. However, for DN 65 a total of 16 nuts and 16 bolts are required.

The following nuts, bolts and gaskets are available:

Connecting kit	Bolts made of 1.7218		Gaskets to EN 1092 Graphite with perforated steel insert and inside seam 1.4571 for temperatures from -10 °C to 450 °C
	to EN 1515-1 for temperatures from -10 °C to 450 °C	to ISO 4032 for temperatures from -10 °C to 450 °C	
<b>KIT 1</b> (DN 15 PN 10-40)	M 12 x 50 ( 8 pieces)	M 12 ( 8 pieces)	22 x 51 x 2 mm
<b>KIT 2</b> (DN 20 PN 10-40)	M 12 x 55 ( 8 pieces)	M 12 ( 8 pieces)	27 x 61 x 2 mm
<b>KIT 3</b> (DN 25 PN 10-40)	M 12 x 55 ( 8 pieces)	M 12 ( 8 pieces)	34 x 71 x 2 mm
<b>KIT 4</b> (DN 40 PN 10-40)	M 16 x 60 ( 8 pieces)	M 16 ( 8 pieces)	49 x 92 x 2 mm
<b>KIT 5</b> (DN 50 PN 10-16)	M 16 x 60 ( 8 pieces)	M 16 ( 8 pieces)	61 x 107 x 2 mm
<b>KIT 6</b> (DN 50 PN 25-40)	M 16 x 65 ( 8 pieces)	M 16 ( 8 pieces)	61 x 107 x 2 mm
<b>KIT 7</b> (DN 65 PN 10-16)	M 16 x 60 (16 pieces)	M 16 (16 pieces)	77 x 127 x 2 mm
<b>KIT 8</b> (DN 65 PN 25-40)	M 16 x 70 (16 pieces)	M 16 (16 pieces)	77 x 127 x 2 mm

**E-mail: info@de.gestra.com**

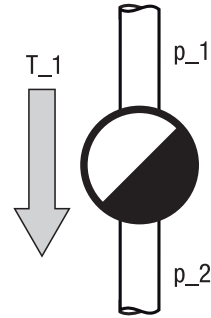
Steam pressure / p\_1 \_\_\_\_\_ bar

Steam temperature / T\_1 \_\_\_\_\_ °C

Backpressure / p\_2 \_\_\_\_\_ bar

Product outlet temperature / T\_A \_\_\_\_\_ °C  
(only for draining heat exchangers)

Condensate flowrate to be discharged \_\_\_\_\_ kg/h



**Fluid**

Plant steam     Pure steam     \_\_\_\_\_

Nominal size \_\_\_\_\_ Pressure rating \_\_\_\_\_

**End connection**

EN flanges     ASME flanges     Butt-weld ends     Socket-weld ends     Screwed sockets G     Screwed sockets NPT

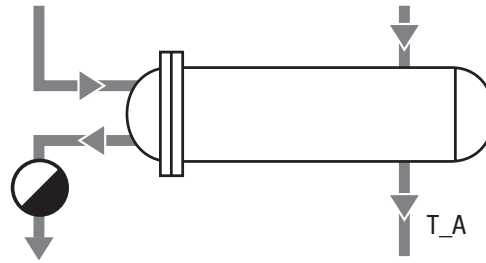
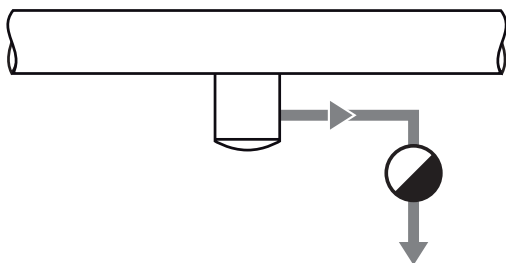
**Application**

Draining pipes

Draining a heat exchanger

\_\_\_\_\_

\_\_\_\_\_

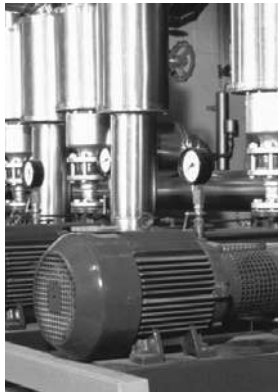


Required inspections/approvals: \_\_\_\_\_

**Your details:**

Company
Name / job title
Telephone
Fax
E-mail
Date

## GESTRA Gravity Circulation Checks, DISCO Non-Return Valves and DISCO Swing Check Valves



### DISCO Non-Return Valves and DISCO Swing Check Valves

Page

Gravity Circulation Checks and DISCO Non-Return Valves  
for sanitation applications and hvac systems.

Type SBO 11, SBO 21, SBO 31 .....	41
Type MB 14 .....	42 – 43
Type RK 70, RK 71 .....	42 – 43
Type RK 41, RK 44 .....	44 – 45

DISCO Non-Return Valves and DISCO Swing Check Valves for industrial applications.

Type RK 76 .....	44 – 45
Type RK 86, RK 86 A .....	46 – 47
Type BB...G, BB...C, BB...A .....	55 – 59
Type CB 14, CB 26, CB 26A .....	60 – 61
Type WB 26, WB 26 A .....	62 – 63

DISCO Non-Return Valves and DISCO Swing Check Valves for special applications.

Type RK 16 A, RK 16 C .....	48 – 49
Type RK 26 A .....	48 – 49
Type RK 49 .....	52 – 51
Type RK 29 A .....	52 – 53
Type BB...GK .....	58
Type NAF-Check .....	64 – 65

DISCO Non-Return Valves and DISCO Swing Check Valves for marine applications.

Type RK 44S .....	44 – 45
Type BB...GS .....	58
Type CB 24S .....	60 – 61
Type WB 24S .....	62 – 63

Special springs for non-return valves RK .....	54
--	----

Questionnaire for preparing offers .....	66
--	----

### **The Lift Restriction for GESTRA Non-Return Valves**

More efficient pumps and the requirement to minimize pressure loss in the installation often lead to oversized non-return valves.

As a consequence, the valve does not open completely, resulting in increased wear and, more often than not, annoying valve clattering.

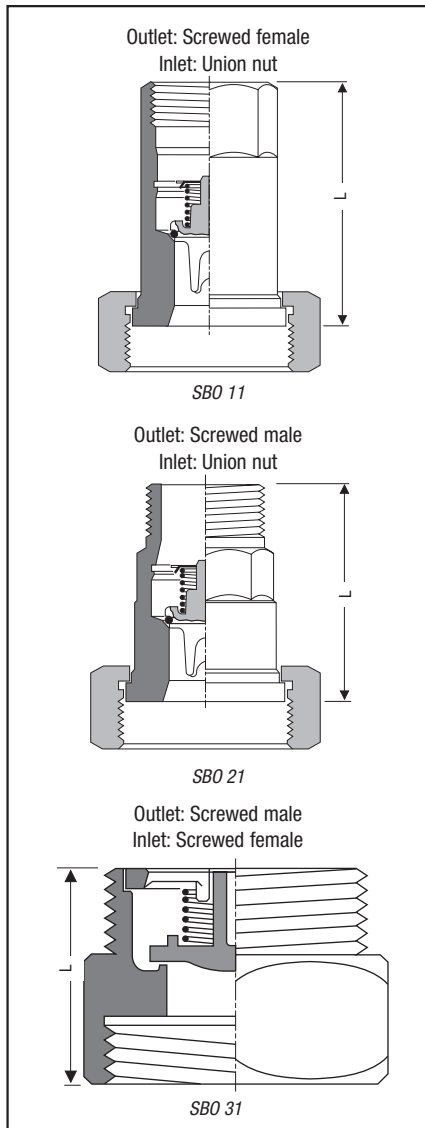
Up till now the required volume flow of these non-return valves could only be adjusted in certain cases by selecting a different size or changing the place of installation.

The lift restriction for GESTRA valves provides stable low-noise operation even with small flowrates.

For users who do not want to change their pipe layout or use smaller sizes but require a more stable operating mode we now offer a retrofitting set consisting of a stroke limiter and a spring cap. This mechanism reduces the volume flow for the necessary full opening as a function of the valve size by approx. 40 %.

The lift restriction is available for non-return valves RK 41, RK 44, RK 86 and RK 86A in sizes DN 15 up to DN 100.





### Application and Features

Type	PN	Application	Features
SBO	PN 6	Installed downstream of circulating pumps in heating and hot water installations in order to avoid gravity circulation	Plastic valve cone with advanced flow characteristic

### Pressure/Temperature Ratings / Material

Max. service pressure bar	Max. service temperature °C	Materials	
		Body	Valve cone
6	130 <sup>1)</sup>	Brass	PPO

<sup>1)</sup> Max. service temperature at atmospheric pressure

### Dimensions

Type		SBO 11		SBO 21		SBO 31		
Size	DN	1"	1 1/4"	1"	1 1/4"	3/4"	1"	1 1/4"
	L in mm	66	82	57	70	39	40	45
Connections (BSP thread)	Inlet <sup>2)</sup>	G 1 1/2	G 2	G 1 1/2	G 2	G 1 1/4	G 1 1/2	G 2
	Outlet	G 1	G 1 1/4	R 1	R 1 1/4			

<sup>2)</sup> SBO 11 and SBO 21: Thread of union nut

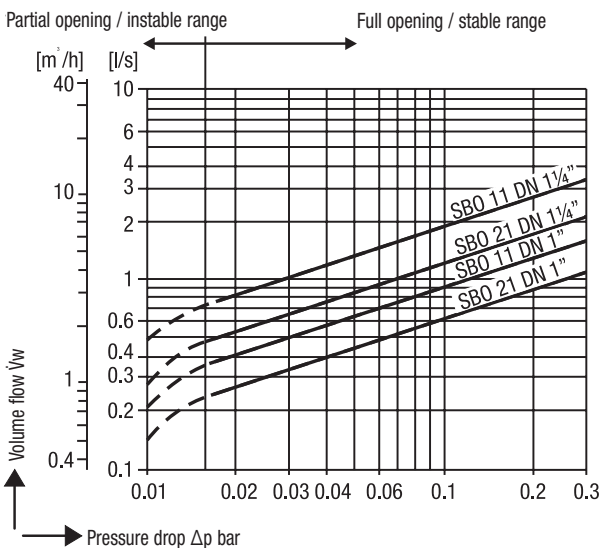
### Opening Pressures

Differential pressures at zero volume flow.

Type	DN	Opening pressure in mbar			
		Direction of flow			
		with-out spring	with spring		
		↑	↑	→	↓
SBO 11	1"	1	7	6	6
	1 1/4"	1	7	6	6
SBO 21	1"	1	7	6	5
	1 1/4"	1	7	6	5
SBO 31	3/4"	2	9	7	5
	1"	2	9	7	5
	1 1/4"	2	9	7	5

### Pressure Drop Charts

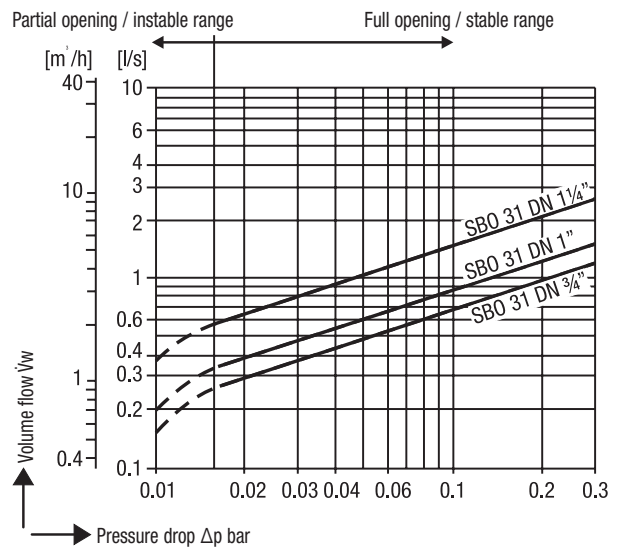
SBO 11, SBO 21



Curve 1: SBO 21 DN 1"  
Curve 2: SBO 11 DN 1"

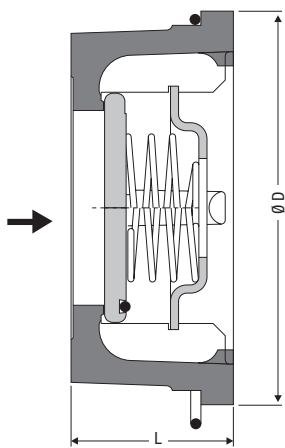
Curve 3: SBO 21 DN 1 1/4"  
Curve 4: SBO 11 DN 1 1/4"

SBO 31

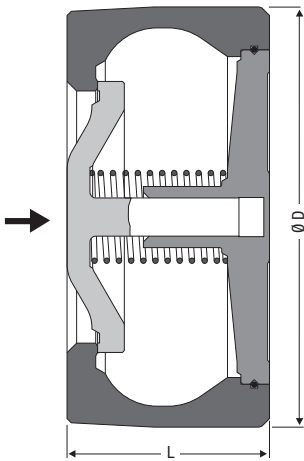


Curve 1: SBO 31 DN 3/4"  
Curve 2: SBO 31 DN 1"

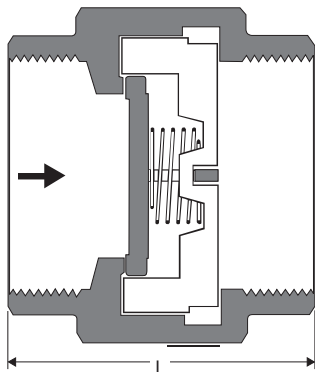
Curve 3: SBO 31 DN 1 1/4"



RK 70 (lower part) / RK 71 (upper part)  
DN 15 – 100 mm



RK 70  
DN 125 – 200 mm



MB 14

### Application and Features

Type	PN	Application for liquids, gases and vapours	Features
RK 70	PN 6	suitable for heating and hot-water installations	Centric cone and spring guide, unaffected by dirt (DN 125-200)
RK 71	PN 16		Spiral centering ring for easy alignment between flanges
MB 14	PN 16		Screwed socket end connection

### Body Material

Type		Nominal sizes DN	EN reference	ASTM equivalent <sup>1)</sup>
RK 70	Body	15 – 100 mm	Brass (CW617N)	Brass
	Valve disk		Plastic PPE	–
	Body	125 – 200 mm	Grey cast iron (5.1301)	A126 Class A
	Plug		Plastic Polyamid 6	–
RK 71	Body	15 – 100 mm	Brass (CW617N)	Brass
	Valve disk		1.4571	AISI 316 Ti
MB 14	Body	15 – 50 mm	Brass (CW614N)	Brass
	Valve disk		1.4571	AISI 316 Ti

<sup>1)</sup> ASTM material similar to EN material.  
Observe different physical and chemical properties!

### Dimensions

	DN	mm	15	20	25	32	40	50	65	80	100	125	150	200
			in	1/2	3/4	1	1 1/4	1 1/2	2	2 1/2	3	4	5	6
	L	mm	16	19	22	28	31.5	40	46	50	60	90	106	140
RK 70	D	mm	40	47	56	72	82	95	115	132	152	184	209	264
RK 71	D	mm	40	47	56	72	82	95	115	132	152	–	–	–
MB 14	L	mm	49	49	61	61	72	72	–	–	–	–	–	–
	D	mm	42	42	62	62	83	83	–	–	–	–	–	–
	A.F.	mm	30	30	46	46	65	65	–	–	–	–	–	–

### Pressure/Temperature Ratings

Type	PN	DN	p / T / bar / °C		
RK 70	PN 6	15 – 100	6 / -10	3.0 / 50	2.0 / 80
	PN 6	125 – 200	6 / -10	1.5 / 100	0.5 / 130
RK 71	PN 16	15 – 100	16 / -10	16 / 180	13.5 / 200
MB 14	PN 16	G 1/2 – G 2	16 / -10	14 / 200	13 / 250

### RK Designs

Type	Seat				Spring			Earthing connection
	metal-to-metal	EPDM	FPM	PTFE	without spring	special spring	Nimonic spring	
RK 70	(Plastic)	–	–	–	–	–	–	Use RK 86
RK 71	X	Use RK 41		Use RK 86	Use RK 41	–	–	
MB 14	X	–	–	–	–	–	–	–

X : standard  
– : not available

### Pressure Drop Charts

The curves given in the chart are valid for water at 20 °C. To read the pressure drop for other fluids the equivalent water volume flowrate must be calculated and used in the graph  $\dot{V}_w$ .

The values indicated in the chart are applicable for spring-assisted valves with horizontal flow and to valves without spring installed in vertical pipes with upward flow.

$$\dot{V}_w = \dot{V} \cdot \sqrt{\frac{\rho}{1000}}$$

$\dot{V}_w$  = Equivalent water volume flow in l/s or m<sup>3</sup>/h

$\rho$  = Density of fluid (operating condition) in kg/m<sup>3</sup>

$\dot{V}$  = Volume of fluid (operating condition) in l/s or m<sup>3</sup>/h

### Opening Pressures Differential pressures at zero volume flow.

#### RK 71\*)

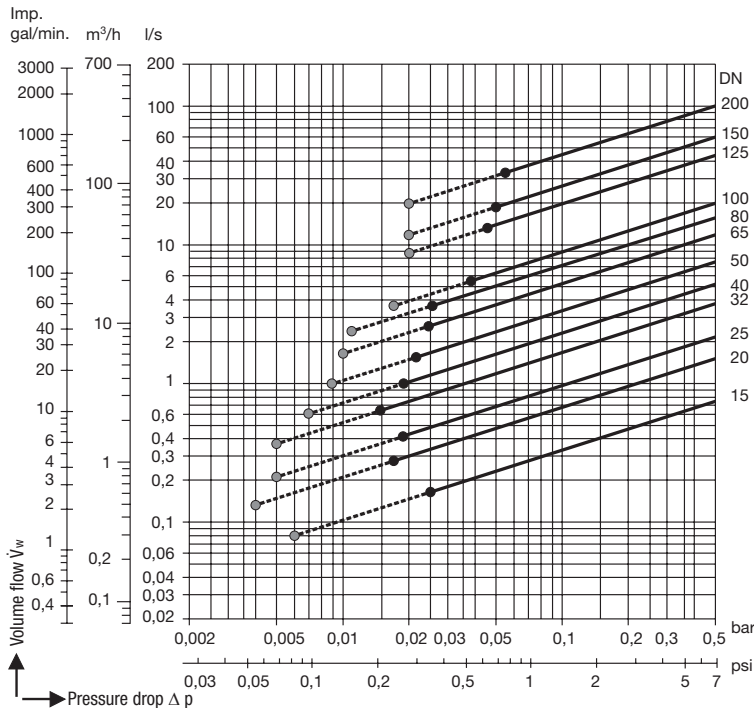
DN	Opening pressures in mbar			
	Direction of flow			
	without spring	with spring		
	↑	↑	→	↓
15	2.5	10	7.5	5
20	2.5	10	7.5	5
25	2.5	10	7.5	5
32	3.5	12	8.5	5
40	4.0	13	9	5
50	4.5	14	9.5	5
65	5.0	15	10	5
80	5.5	16	10.5	5
100	6.5	18	11.5	5

#### RK 70\*)

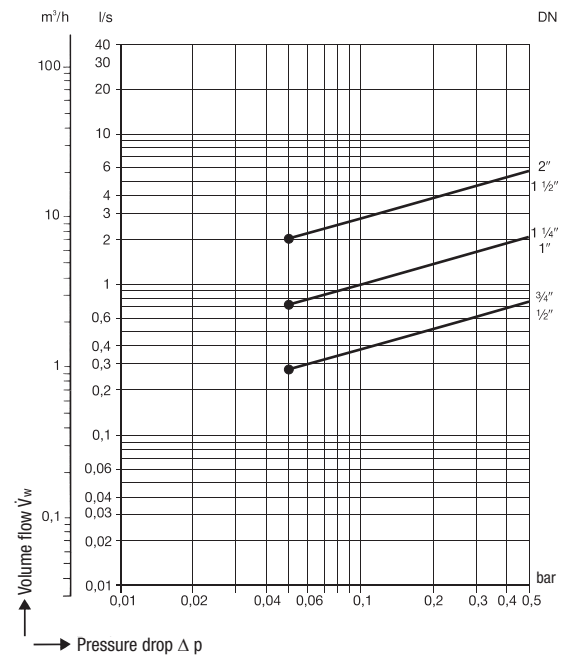
DN	Opening pressures in mbar			
	Direction of flow			
	without spring	with spring		
	↑	↑	→	↓
15	0.4	5.8	5.4	5
20	0.4	5.8	5.4	5
25	0.4	5.8	5.4	5
32	0.5	6.0	5.5	5
40	0.5	6.0	5.5	5
50	0.6	6.2	5.6	5
65	0.7	6.4	5.7	5
80	0.8	6.6	5.8	5
100	0.9	6.8	5.9	5
125	2.0	9.0	7.0	5
150	2.5	10.0	7.5	5
200	2.5	10.0	7.5	5

\*) RK 70, 71 are not available with special spring or without spring

### RK 70, RK 71



### MB 14

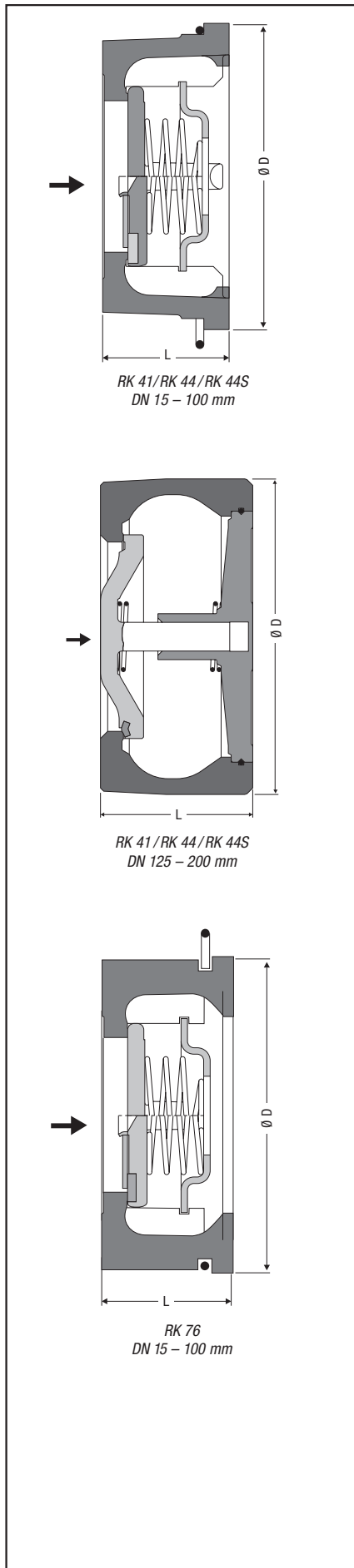


- Required minimum volume flow  $\dot{V}_w$  for equipment without spring installed in vertical pipes with upward flow (only RK 70, RK 71).
- Required minimum volume flow  $\dot{V}_w$  for equipment with standard spring and horizontal flow.

# DISCO Non-Return Valves RK, PN 6 – PN 40

Short overall length according to DIN EN 558, series 49

(Δ DIN 3202, part 3, series K4)



## Application and Features

Type	PN	Application	Features
		for liquids, gases and vapours	
RK 41	PN 16	particularly suitable for heating and hot-water installations	4 guide ribs for low-wear operation of the valve plate
RK 44	PN 16	for fresh water applications	
RK 44S	PN 16	for sea water applications	
RK 76	PN 40 Class 300	for industrial applications	specially designed spring cap provides centrally aligned spring support

## Body Material

Type		Nominal sizes DN	EN reference	ASTM equivalent <sup>1)</sup>
RK 41	Body	15 – 100 mm	Brass (CW 617 N)	Special Brass
	Valve disk		1.4571	AISI 316 Ti
RK 44	Body	125 – 200 mm	Grey cast iron (5.1301)	A126 Class B
	Plug		1.4006	A182 F6
RK 44S	Body	15 – 100 mm	Bronze (CC480 K-GS)	B584 C90500
	Valve disk		1.4571	AISI 316 Ti
RK 44S	Body	125 – 200 mm	Grey cast iron (5.1301)	A126 Class B
	Plug		Bronze (CC480 K-GS)	B584 C90500
RK 44S	Body	15 – 100 mm	Bronze (CC480 K-GS)	B584 C90500
	Valve disk		Bronze (CC483 K-GS)	B505 C90700
RK 44S	Body	125 – 200 mm	Bronze (CC483 K-GC)	B505 C90700
	Plug		Bronze (CC480 K-GS)	B584 C90500
RK 76	Body	15 – 100 mm	1.4107	A217-CA15
	Valve disk		1.4571	AISI 316 Ti

<sup>1)</sup> ASTM material similar to EN material.  
Observe different physical and chemical properties!

## Dimensions

	DN	mm	15	20	25	32	40	50	65	80	100	125	150	200
		in	1/2	3/4	1	1 1/4	1 1/2	2	2 1/2	3	4	5	6	8
	L	mm	16	19	22	28	31,5	40	46	50	60	90	106	140
RK 41	D	mm	40	47	56	72	82	95	115	132	152	184	209	264
RK 44	D	mm	42	49	58	74	84	97	117	132	152	184	209	264
RK 44S	D	mm	42	49	58	74	84	97	117	132	152	184	209	264
RK 76	D	mm	45	55	65	75	85	98	118	134	154	–	–	–

## Pressure/Temperature Ratings with metal-to-metal seat

Type	PN / Class	Nominal sizes DN	p / T / bar / °C		
RK 41	PN 16	15 – 100	16 / -10	16 / 150	13.5 / 200
	PN 16	125 – 200	16 / -10	12.8 / 200	9.6 / 300
RK 44	PN 16	15 – 100	16 / -200	13.5 / 200	8 / 250
	PN 16	125 – 200	16 / -10	12.8 / 200	9.6 / 300
RK 44S	PN 16	15 – 200	16 / -200	13.5 / 200 <sup>2)</sup>	8 / 250 <sup>2)</sup>
RK 76	PN 40	15 – 100	40.0 / -10	30.2 / 200	25.8 / 300
	Class 300		49.6 / -10	35.7 / 200	31.6 / 300

<sup>2)</sup> If temperatures exceed 90 °C use valve without spring.

## Designs

Type	Seat				Springs			Earthing connection
	metal-to-metal	EPDM (-40 up to 150 °C) <sup>2)</sup>	FPM (-25 up to 200 °C) <sup>2)</sup>	PTFE (-190 up to 250 °C) <sup>2)</sup>	without spring	special spring	Nimonic spring	
RK 41	X	0	0	–	0	0	–	Use RK 86
RK 44	X	0	0	–	0	0	–	
RK 44S	X	0	0	–	0	–	–	
RK 76	X	0	0	0	0	0	0	

<sup>2)</sup> Observe pressure/temp. ratings of the equipment X : standard 0 : optional – : not available

## Pressure Drop Charts

The curves given in the chart are valid for water at 20 °C. To read the pressure drop for other fluids the equivalent water volume flowrate must be calculated and used in the graph  $\dot{V}_w$ .

The values indicated in the chart are applicable for spring-assisted valves with horizontal flow and to valves without spring installed in vertical pipes with upward flow.

$$\dot{V}_w = \dot{V} \cdot \sqrt{\frac{\rho}{1000}}$$

$\dot{V}_w$  = Equivalent water volume flow in l/s or m³/h

$\rho$  = Density of fluid (operating condition) in kg/m³

$\dot{V}$  = Volume of fluid (operating condition) in l/s or m³/h

## Opening Pressures Differential pressures at zero volume flow.

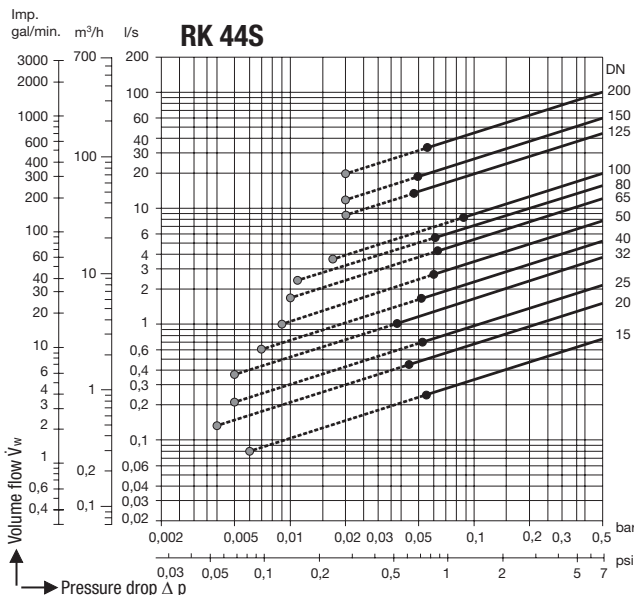
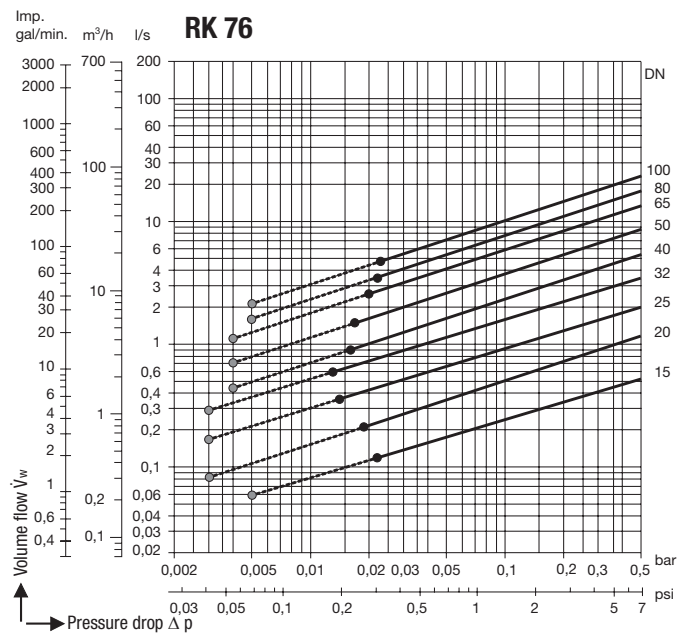
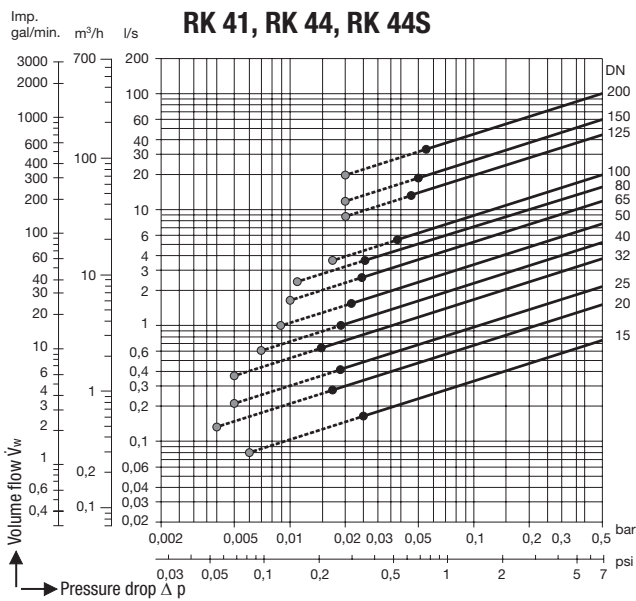
### RK 41, RK 44, RK 76<sup>1)</sup>

DN	Opening pressures in mbar			
	without spring	Direction of flow with spring		
		↑	↑	→
15	2.5	10	7.5	5
20	2.5	10	7.5	5
25	2.5	10	7.5	5
32	3.5	12	8.5	5
40	4.0	13	9	5
50	4.5	14	9.5	5
65	5.0	15	10	5
80	5.5	16	10.5	5
100	6.5	18	11.5	5
125	12.5	35	22.5	10
150	14.0	38	24.0	10
200	13.5	37	23.5	10

### RK 44S

DN	Opening pressures in mbar			
	without spring	Direction of flow with spring		
		↑	↑	→
15	2.5	25	22.5	20
20	2.5	25	22.5	20
25	2.5	25	22.5	20
32	3.5	27	23.5	20
40	4.0	28	24.0	20
50	4.5	29	24.5	20
65	5.0	30	25.0	20
80	5.5	31	25.5	20
100	6.5	33	26.5	20
125	12.5	35	22.5	10
150	14.0	38	24.0	10
200	13.5	37	23.5	10

<sup>1)</sup> only DN 15-100



- Required minimum volume flow  $\dot{V}_w$  for equipment without spring installed in vertical pipes with upward flow.
- Required minimum volume flow  $\dot{V}_w$  for equipment with standard spring and horizontal flow.

## RK 86, RK 86A, RKE 86, RKE 86A – Our Robust All-Rounder Application and Features

Type	PN	Application	Features
RK 86 / RKE 86	PN 40 Class 300	for liquids, gases and vapours	
RK 86A / RKE 86A		for industrial applications particularly suitable for low temperatures, aggressive fluids, boiler feedwater lines	patented fixed centering lugs for easy alignment between flanges and optimum guidance of valve disk, earthing connection as standard, broad sealing surfaces. Only RKE non-return valves may be used as end valves (e.g. vacuum breakers).

### Body Material

Type	Nominal sizes DN	EN reference	ASTM
RK 86, RKE 86 <sup>2)</sup>	Body	15 – 100 mm	Chromium steel, 1.4317
	Valve disk		1.4571
RK 86 RKE 86 <sup>2)</sup>	Body	125 – 200 mm	GP240GH (1.0619)
	Plug		1.4006
RK 86A, RKE 86A <sup>2)</sup>	Body	15 – 100 mm	1.4408
	Valve disk		1.4571
RK 86A RKE 86A <sup>2)</sup>	Body	125 – 200 mm	1.4408
	Plug		1.4404

<sup>1)</sup> ASTM material similar to EN material.

Observe different physical and chemical properties!

<sup>2)</sup> RK 86/RK 86A and RKE 86 / RKE 86A differ from standard valves in having:

- a valve disk made of material with inspection certificate 3.1
- the strength test of valve disk 1.5 x PN

### Dimensions and Weights

	DN	mm	15	20	25	32	40	50	65	80	100	125	150	200
		inch	1/2	3/4	1	1 1/4	1 1/2	2	2 1/2	3	4	5	6	8
	L	mm	16	19	22	28	31.5	40	46	50	60	90	106	140
	Z min.	mm	44	53	64	73	83	96	110	128	151	–	–	–
	Z max.	mm	67	76	82	93	104	118	136	158	186	–	–	–
PN 10/16	D	mm	–	–	–	–	–	–	–	–	–	194	220	275
PN 25	D	mm	–	–	–	–	–	–	–	–	–	194	226	286
PN 40	D	mm	–	–	–	–	–	–	–	–	–	194	226	293
Class 125/150 D	D	mm	–	–	–	–	–	–	–	–	–	194	220	275
Class 300	D	mm	–	–	–	–	–	–	–	–	–	216	251	308
	Weight	kg	0.27	0.38	0.52	0.8	1.12	1.78	2.43	3.37	5.34	11	14	25

### Pressure/Temperature Ratings with metal-to-metal seat

Type	PN / Class	Nominal sizes DN	p / T / bar / °C		
RK 86, RKE 86	PN 40	15 – 100	40.0 / -10	33.6 / 200	25.9 / 350 <sup>3)</sup>
	Class 300		51.1 / -10	43.8 / 200	37.6 / 350
RK 86	PN 40	125 – 200	40.0 / -10	33.6 / 200	24.0 / 400
	Class 300		51.1 / -29	43.8 / 200	34.7 / 400
RK 86A, RKE 86A	PN 40	15 – 100	40.0 / -200	30.2 / 200	20.7 / 550 <sup>3)</sup>
	Class 300		49.6 / -200	35.7 / 200	25.1 / 538 <sup>3)</sup>
RK 86A	PN 40	125 – 200	40.0 / -200	30.2 / 200	23.5 / 400 <sup>3)</sup>
	Class 300		49.6 / -200	35.7 / 200	29.4 / 400 <sup>3)</sup>

<sup>3)</sup> If the operating temperatures exceed 300 °C intercrystalline corrosion may occur. Do not subject the equipment to operating temperatures higher than 300 °C unless intercrystalline corrosion can be ruled out.

### Designs

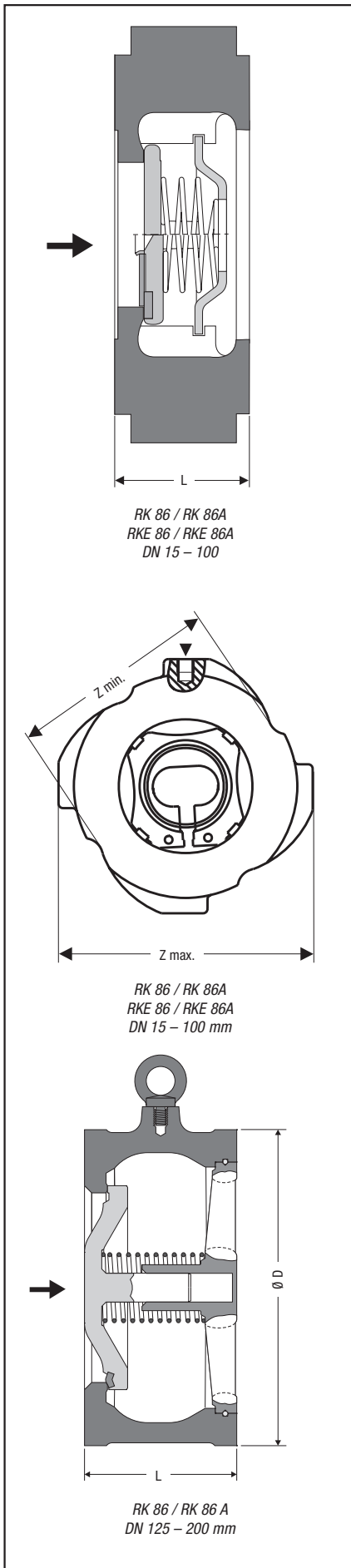
Type	Seat				Springs			Earthing connection
	metal-to-metal	EPDM (-40 up to 150 °C) <sup>4)</sup>	FPM (-25 up to 200 °C) <sup>4)</sup>	PTFE <sup>4)</sup> <sup>5)</sup>	without spring	special spring	Nimonic spring <sup>6)</sup>	
RK 86(A)	X	0	0	0	0	0	0	X
RKE 86(A)	X	–	–	–	0	0	0	X

<sup>4)</sup> Observe pressure/temp. ratings of the equipment

<sup>5)</sup> DN 15-100 -190 °C up to 250 °C; DN 125-200 -60 up to 200 °C

<sup>6)</sup> Required for temperatures above 300 °C

X : standard 0 : optional



## Pressure Drop Charts

The curves given in the chart are valid for water at 20 °C. To read the pressure drop for other fluids the equivalent water volume flowrate must be calculated and used in the graph  $\dot{V}_w$ .

The values indicated in the chart are applicable for spring-assisted valves with horizontal flow and to valves without spring installed in vertical pipes with upward flow.

$$\dot{V}_w = \dot{V} \cdot \sqrt{\frac{\rho}{1000}}$$

$\dot{V}_w$  = Equivalent water volume flow in l/s or m<sup>3</sup>/h

$\rho$  = Density of fluid (operating condition) in kg/m<sup>3</sup>

$\dot{V}$  = Volume of fluid (operating condition) in l/s or m<sup>3</sup>/h

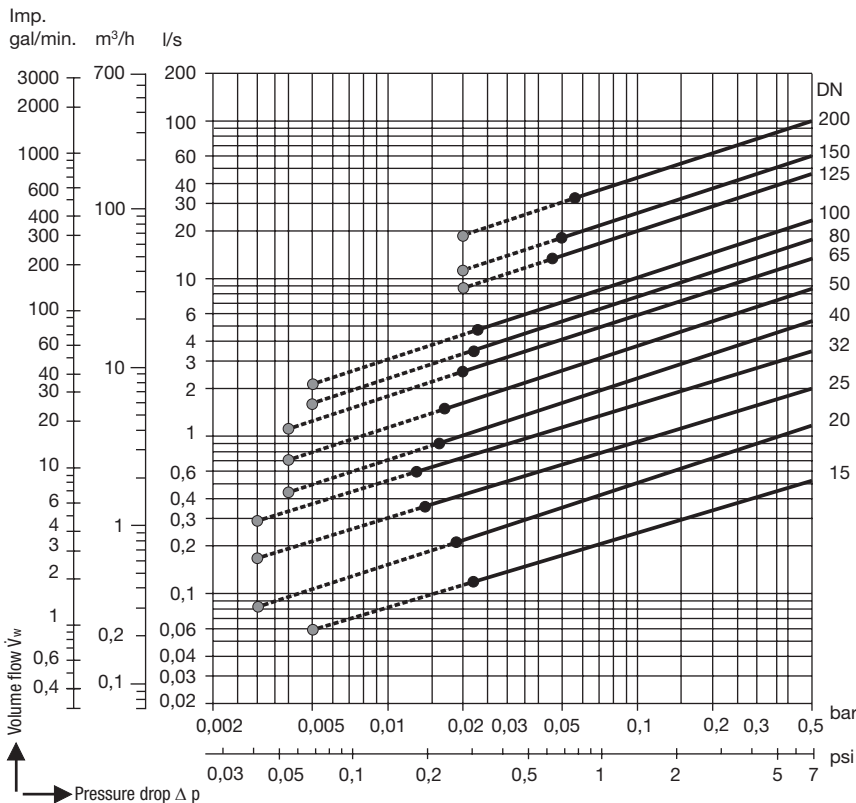
## Opening Pressures

Differential pressures at zero volume flow.

### RK 86, RK 86A, RKE 86, RKE 86A

DN	Opening pressures in mbar			
	without spring	Direction of flow		
		↑	↑	→
15	2.5	10	7.5	5
20	2.5	10	7.5	5
25	2.5	10	7.5	5
32	3.5	12	8.5	5
40	4.0	13	9	5
50	4.5	14	9.5	5
65	5.0	15	10	5
80	5.5	16	10.5	5
100	6.5	18	11.5	5
125	12.5	35	22.5	10
150	13.5	37	23.5	10
200	14.0	38	24.0	10

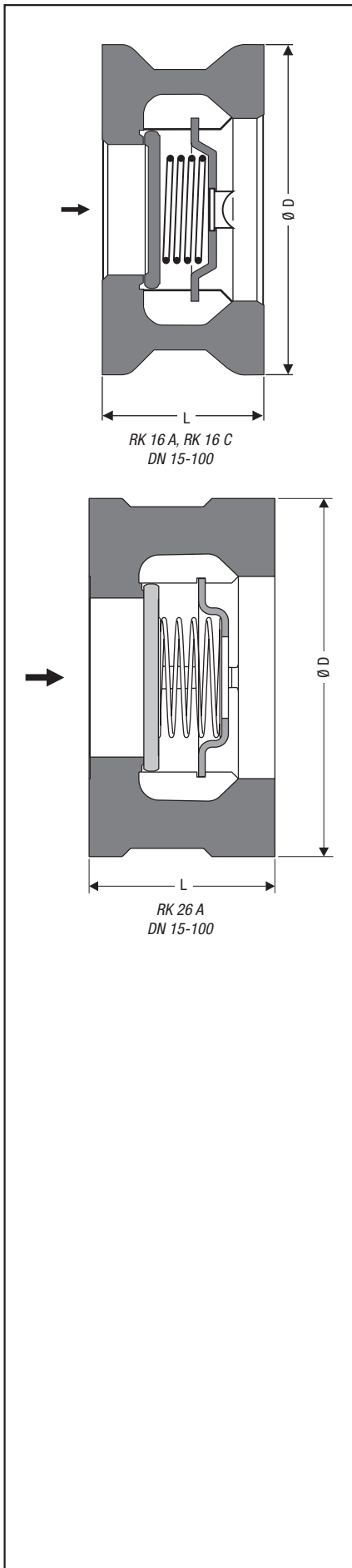
### RK 86, RK 86A, RKE 86, RKE 86A



- Required minimum volume flow  $\dot{V}_w$  for equipment without spring installed in vertical pipes with upward flow.
- Required minimum volume flow  $\dot{V}_w$  for equipment with standard spring and horizontal flow.

# DISCO Non-Return Valves RK, PN 40

Short overall length according to DIN EN 558, series 52  
( $\Delta$  DIN 3202, part 3, series K5)



## Application and Features

Type	PN	Application	Features
RK 16C	PN 40 Class 300	for liquids, gases and vapours	short overall length to DIN 558-2, series 52, high-quality forged material (RK 16A / RK 16 C) materials suitable for petrochemical industry
RK 16A		for more aggressive fluids such as hydrochloric acid	
RK 26A		particularly suitable for low temperatures, aggressive fluids, boiler feedwater lines and industrial applications	

## Body Material

Type	Nominal sizes DN	EN reference	ASTM equivalent <sup>1)</sup>
RK 16A	Body	15 – 100 mm	AISI 316 Ti
	Valve disk		AISI 316 Ti
RK 16C	Body	15 – 100 mm	Hastelloy C
	Valve disk		Hastelloy C
RK 26A	Body	15 – 100 mm	A351 CF8M
	Valve disk		AISI 316 Ti

<sup>1)</sup> ASTM material similar to EN material.  
Observe different physical and chemical properties!

## Dimensions

	DN	mm	12	20	25	32	40	50	65	80	100	
			inch	1/2	3/4	1	1 1/4	1 1/2	2	2 1/2	3	4
	L	mm	25	31,5	35,5	40	45	56	63	71	80	
RK 16 A	D	PN 10/16 PN 25/40	mm	52	63	72	81	93	108	128	143	163 169
		Class 150	mm	52	63	72	81	93	108	128	143	173
RK 26 A		Class 300	mm	52	63	72	81	93	108	128	143	179

## Pressure/Temperature Ratings with metal-to-metal seat

Type	PN / Class	Nominal sizes DN	p / T / bar / °C		
RK 16 A	PN 40	15 – 100	40.0 / -200	35.8 / 200	23.3 / 550 <sup>2)</sup>
	Class 300		50.4 / -200	38.4 / 200	24.9 / 550 <sup>2)</sup>
RK 16 C	PN 40	15 – 100	40.0 / -200	36.0 / 200	32.0 / 400 <sup>2)</sup>
	Class 300		51.7 / -200	48.3 / 200	36.5 / 400 <sup>2)</sup>
RK 26 A	PN 40	15 – 100	40.0 / -200	30.2 / 200	20.7 / 550 <sup>2)</sup>
	Class 300		49.6 / -200	35.7 / 200	25.1 / 538 <sup>2)</sup>

<sup>2)</sup> If the operating temperatures exceed 300 °C intercrystalline corrosion may occur. Do not subject the equipment to operating temperatures higher than 300 °C unless intercrystalline corrosion can be ruled out.

## Designs

Type	Seat				Spring			Earthing connection
	meta-to-metal	EPDM (-40 up to 150 °C) <sup>3)</sup>	FPM (-25 up to 200 °C) <sup>3)</sup>	PTFE (-190 up to 250 °C) <sup>3)</sup>	without spring	special spring	Nimonic spring <sup>4)</sup>	
RK 16 A	X	0	0	0	0	0	0	0
RK 16 C	X	-	-	-	0	-	-	0
RK 26 A	X	0	0	0	0	0	0	0

<sup>3)</sup> Observe pressure/temp. ratings of the equipment

<sup>4)</sup> Required for temperatures above 300 °C.

X : standard  
0 : optional  
- : not available

# DISCO Non-Return Valves RK, PN 40

Short overall length according to DIN EN 558, series 52  
 (Δ DIN 3202, part 3, series K5)



## Pressure Drop Charts

The curves given in the chart are valid for water at 20 °C. To read the pressure drop for other fluids the equivalent water volume flowrate must be calculated and used in the graph  $\dot{V}_w$ .

The values indicated in the chart are applicable for spring-assisted valves with horizontal flow and to valves without spring installed in vertical pipes with upward flow.

$$\dot{V}_w = \dot{V} \cdot \sqrt{\frac{\rho}{1000}}$$

$\dot{V}_w$  = Equivalent water volume flow in l/s or m<sup>3</sup>/h

$\rho$  = Density of fluid (operating condition) in kg/m<sup>3</sup>

$\dot{V}$  = Volume of fluid (operating condition) in l/s or m<sup>3</sup>/h

## Opening Pressures

Differential pressures at zero volume flow.

### RK 16 A, RK 26 A

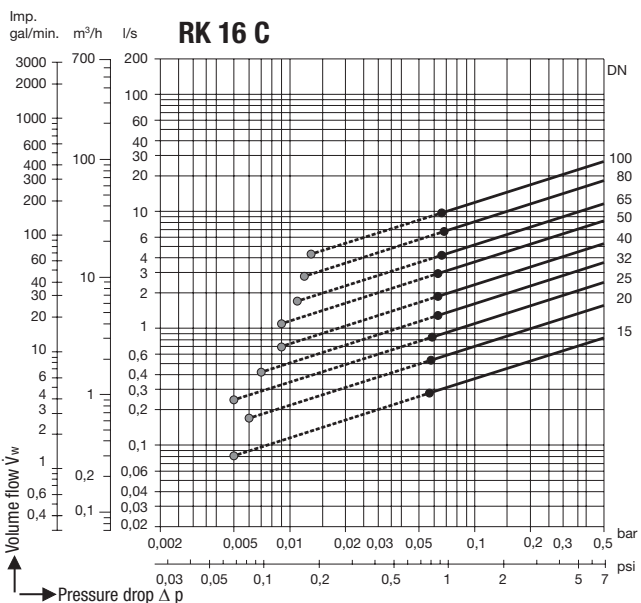
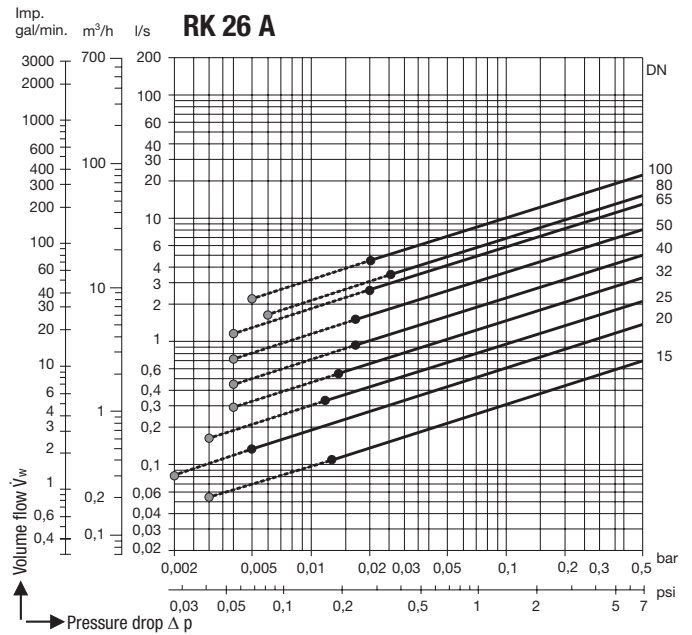
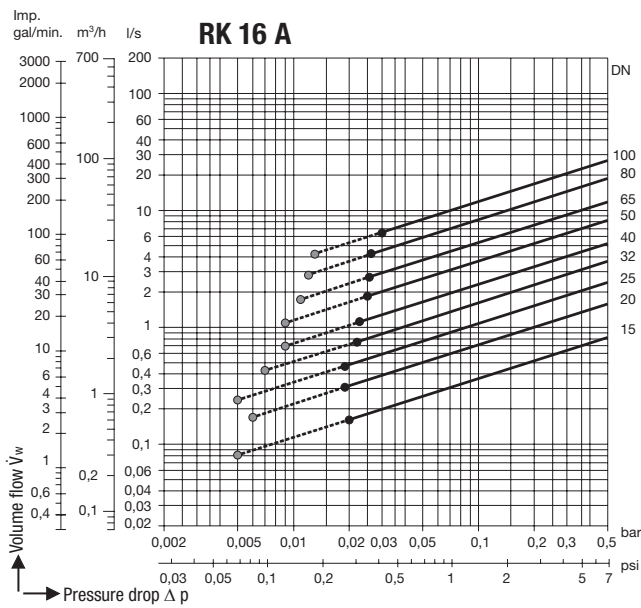
DN	Opening pressures in mbar			
	without spring	Direction of flow with spring		
		↑	↑	→
15	2.5	10	7.5	5
20	2.5	10	7.5	5
25	2.5	10	7.5	5
32	3.5	12	8.5	5
40	4.0	13	9	5
50	4.5	14	9.5	5
65	5.0	15	10	5
80	5.5	16	10.5	5
100	6.5	18	11.5	5

## Opening Pressures

Differential pressures at zero volume flow.

### RK 16 C

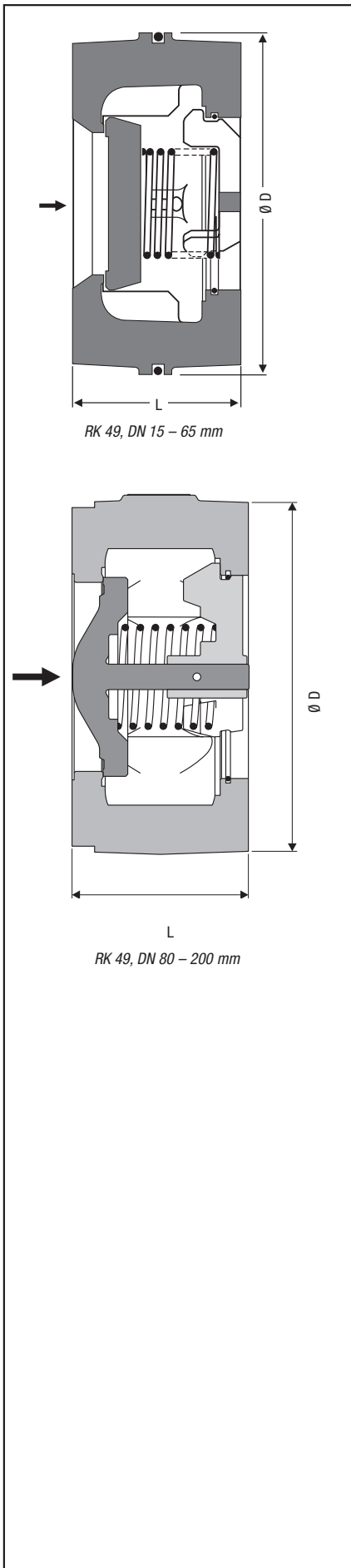
DN	Opening pressures in mbar			
	without spring	Direction of flow with spring		
		↑	↑	→
15	2.5	25	22.5	20
20	2.5	25	22.5	20
25	2.5	25	22.5	20
32	3.5	27	23.5	20
40	4.0	28	24.0	20
50	4.5	29	24.5	20
65	5.0	30	25.0	20
80	5.5	31	25.5	20
100	6.5	33	26.5	20



- Required minimum volume flow  $\dot{V}_w$  for equipment without spring installed in vertical pipes with upward flow.
- Required minimum volume flow  $\dot{V}_w$  for equipment with standard spring and horizontal flow.

# DISCO Non-Return Valves RK, PN 63 – PN 160

Short overall length according to DIN EN 558, series 52  
( $\Delta$  DIN 3202, part 3, series K5)



RK 49, DN 15 – 65 mm

RK 49, DN 80 – 200 mm

## Application and Features

Type	PN	Application	Features
		for liquids, gases and vapours	
RK 49	PN 63 – 160 Class 400 – 900	suitable for high pressures and temperatures	double centric spring guidance (DN 15-65), centric cone & spring guide unaffected by dirt (DN 80, 100), installation in any position, spring made of Nimonic

## Body Material

Type	Nominal sizes DN	EN reference	ASTM equivalent 1)	
RK 49	Body	15 – 65 mm	1.4581	A351 CF8
	Valve disk		1.4986	–
RK 49	Body	80 – 100 mm	1.7357	A217 WC6
	Plug		1.4923	–

1) ASTM material similar to EN material.  
Observe different physical and chemical properties!

## Dimensions

RK 49	DN	mm	15	20	25	32	40	50	65	80	100
			in	1/2	3/4	1	1 1/4	1 1/2	2	2 1/2	3
	L	mm	25	31.5	35.5	40	45	56	63	71	80
	D	mm	54	63	74	84	95	110	130	147	173
	Weight	kg	0.43	0.7	1.0	1.4	2	3	4.7	7.1	12.1

## Pressure/Temperature Ratings with metal-to-metal seat

Type	PN / Class	Nominal sizes DN	p / T / bar / °C		
RK 49	PN 63 – 160	15 – 65	160.0 / -10	143.4 / 200	93.2 / 550 <sup>2)</sup>
	Class 400 – 900		151.2 / -10	115.2 / 200	74.8 / 550 <sup>2)</sup>
	PN 63 – 160	80 – 100	160.0 / -10	160.0 / 300	47.0 / 550 <sup>2)</sup>
	Class 400 – 900		155.1 / -10	145.9 / 200	37.7 / 550 <sup>2)</sup>

2) If the operating temperatures exceed 300 °C intercrystalline corrosion may occur. Do not subject the equipment to operating temperatures higher than 300 °C unless intercrystalline corrosion can be ruled out.

Seat tightness acc. to DIN EN 12266-1, leakrate C

For additional information on chemical resistance see GESTRA Information "Chemical Resistance"

Machining of seating faces acc. to EN 1092-1, form B2,

ASME B 16.5 RF (optional: ring joint facing)

## Designs

Type	Seat				Springs			Earthing connection
	metal-to-metal	EPDM	FPM	PTFE	without spring	special spring	Nimonic spring 3)	
RK 49	X	–	–	–	0	–	X	0

3) Required for temperatures above 300 °C.

X : standard  
0 : optional  
– : not available

## Pressure Drop Charts

The curves given in the chart are valid for water at 20 °C. To read the pressure drop for other fluids the equivalent water volume flowrate must be calculated and used in the graph  $\dot{V}_w$ .

The values indicated in the chart are applicable for spring-assisted valves with horizontal flow and to valves without spring installed in vertical pipes with upward flow.

$$\dot{V}_w = \dot{V} \cdot \sqrt{\frac{\rho}{1000}}$$

$\dot{V}_w$  = Equivalent water volume flow in l/s or m<sup>3</sup>/h

$\rho$  = Density of fluid (operating condition) in kg/m<sup>3</sup>

$\dot{V}$  = Volume of fluid (operating condition) in l/s or m<sup>3</sup>/h

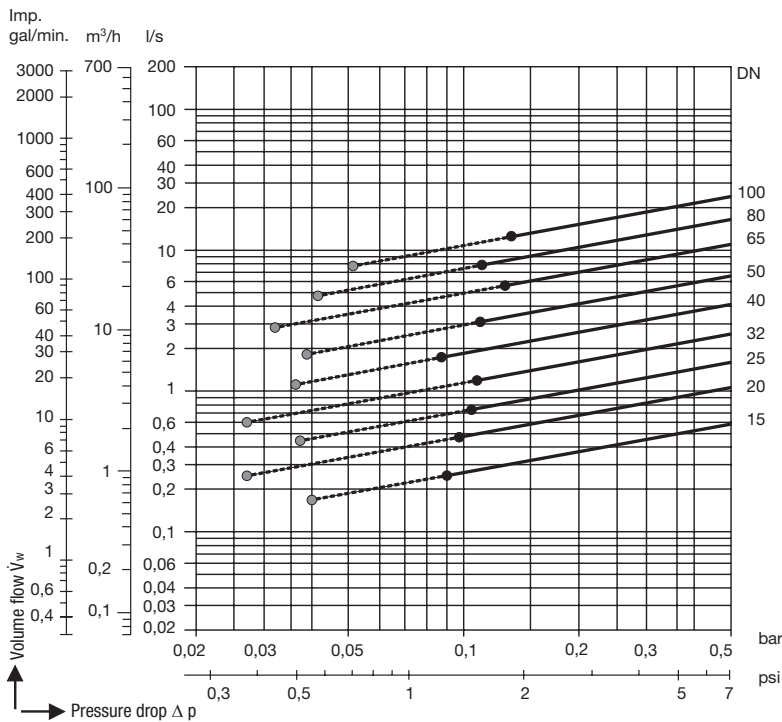
## Opening Pressures

Differential pressures at zero volume flow.

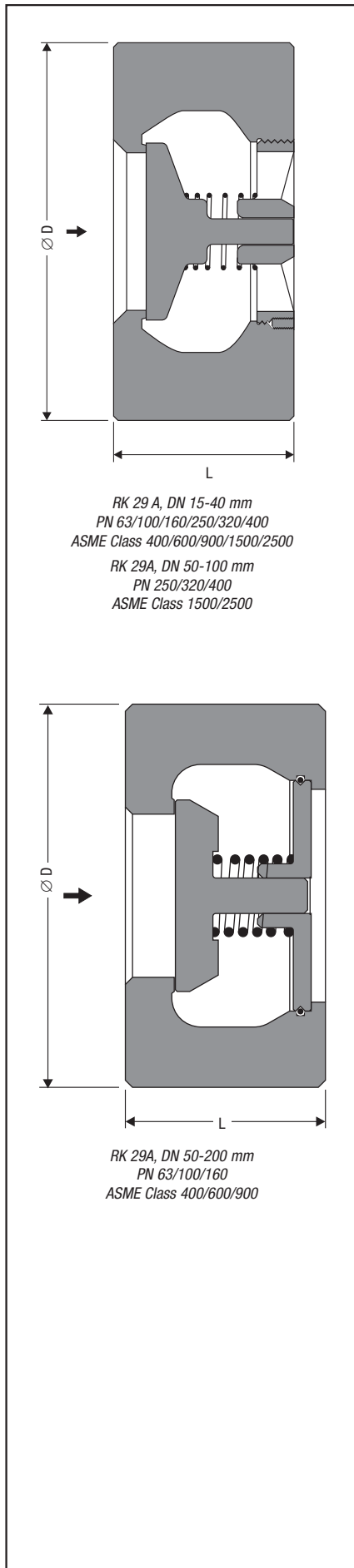
### RK 49

DN	Opening pressures in mbar			
	without spring ↑	Direction of flow with spring		
		↑	→	↓
15	16.5	73	56.5	40
20	17.5	74	57.0	40
25	18.0	76	58.0	40
32	18.0	76	58.0	40
40	19.5	79	59.5	40
50	22.0	84	62.0	40
65	23.0	87	63.0	40
80	17.5	75	57.5	40
100	20.0	80	60.0	40

### RK 49



- Required minimum volume flow  $\dot{V}_w$  for equipment without spring installed in vertical pipes with upward flow.
- Required minimum volume flow  $\dot{V}_w$  for equipment with standard spring and horizontal flow.



**Application and Features**

Type	PN	Application	Features
RK 29 A	PN 63 – 400 Class 400 – 2500	for liquids, gases and vapours  for high pressure ratings and special tasks	for pressure ratings up to ON 400 / Class 2500, centric cone guide unaffected by dirt, adjusted diameter ensures optimum body centering, material suitable for petrochemical applications

**Materials**

Type	Nominal sizes DN	EN reference	ASTM equivalent <sup>1)</sup>
RK 29A Body	15 – 200 mm	1.4571	AISI 316 Ti
Plug		1.4571	AISI 316 Ti

<sup>1)</sup> ASTM material similar to EN material. Observe different physical and chemical properties!

**Dimensions**

DN	mm	15	25	40	50	80	100	150	200	
	inch	1/2	1	1 1/2	2	3	4	6	8	
L	mm	35	40	56	56	71	80	125	160	
PN 63	D	mm	63	84	105	115	149	176	250	312
PN 100	D	mm	63	84	105	121	156	183	260	327
PN 160	D	mm	63	84	105	121	156	183	260	327
PN 250	D	mm	74	84	111	126	173	205	–	–
PN 320	D	mm	74	95	121	136	193	232	–	–
PN 400	D	mm	80	106	138	153	210	259	–	–
Class 400	D	mm	54	73	95	111	149	176	247.5	304.5
Class 600	D	mm	54	73	95	111	149	193.5	266.5	320.5
Class 900	D	mm	63	79	98	142.5	168	205	288.5	358.5
Class 1500	D	mm	63	79	98	142.5	173	209.5	–	–
Class 2500	D	mm	69.5	84	117	146	196.5	234.5	–	–

**Pressure/Temperature Ratings**

Type	PN / Class	DN	p / T / bar / °C		
RK 29 A	PN 63	15 – 200	63 / –200	56.4 / 200	36.7 / 550 <sup>2)</sup>
	PN 100	15 – 200	100 / –200	89.6 / 200	58.2 / 550 <sup>2)</sup>
	PN 160	15 – 200	160 / –200	143.4 / 200	93.2 / 550 <sup>2)</sup>
	PN 250	15 – 100	250 / –200	224.1 / 200	145.6 / 550 <sup>2)</sup>
	PN 320	15 – 100	320 / –200	286.8 / 200	186.4 / 550 <sup>2)</sup>
	PN 400	15 – 100	400 / –200	358.5 / 200	232.9 / 550 <sup>2)</sup>
	Class 400	15 – 200	67.0 / –200	51.2 / 200	33.2 / 550 <sup>2)</sup>
	Class 600	15 – 200	100.8 / –200	76.8 / 200	49.9 / 550 <sup>2)</sup>
	Class 900	15 – 200	151.2 / –200	115.2 / 200	74.8 / 550 <sup>2)</sup>
	Class 1500	15 – 100	252.0 / –200	192 / 200	124.7 / 550 <sup>2)</sup>
Class 2500	15 – 100	420.0 / –200	320 / 200	207.9 / 550 <sup>2)</sup>	

<sup>2)</sup> If the operating temperatures exceed 300 °C intercrystalline corrosion may occur. Do not subject the equipment to operating temperatures higher than 300 °C unless intercrystalline corrosion can be ruled out.

Tightness of seat in accordance with DIN EN 12266-1, leakage rate D.

For information on chemical resistance go to [www.gestra.de](http://www.gestra.de), click on “Service & Support” and then on “Chemical Resistance”

Sealing surfaces machined according to EN 1092-1, form B2, ASME B 16.5 RF smooth finish (63-125 µin). Other designs available on request.

**Designs**

Type	Seat				Springs without spring	special spring	Nimonic spring <sup>4)</sup>	Earthing connection
	metal-to- metal	EPDM (–40 up to 150 °C) <sup>3)</sup>	FPM (–25 up to 200 °C) <sup>3)</sup>	PTFE (–190 up to 250 °C) <sup>3)</sup>				
RK 29A	X	–	–	–	0	–	X	0

<sup>3)</sup> Observe pressure/temp. ratings of the equipment

<sup>4)</sup> Required for temperatures above 300 °C.

X : standard

0 : optional

– : not available

### Pressure Drop Charts

The curves given in the chart are valid for water at 20 °C. To read the pressure drop for other fluids the equivalent water volume flowrate must be calculated and used in the graph  $\dot{V}_w$ .

The values indicated in the chart are applicable to spring-assisted valves with horizontal flow.

$$\dot{V}_w = \dot{V} \cdot \sqrt{\frac{\rho}{1000}}$$

$\dot{V}_w$  = Equivalent water volume flow in l/s or m<sup>3</sup>/h

$\rho$  = Density of fluid (operating condition) in kg/m<sup>3</sup>

$\dot{V}$  = Volume of fluid (operating condition) in l/s or m<sup>3</sup>/h

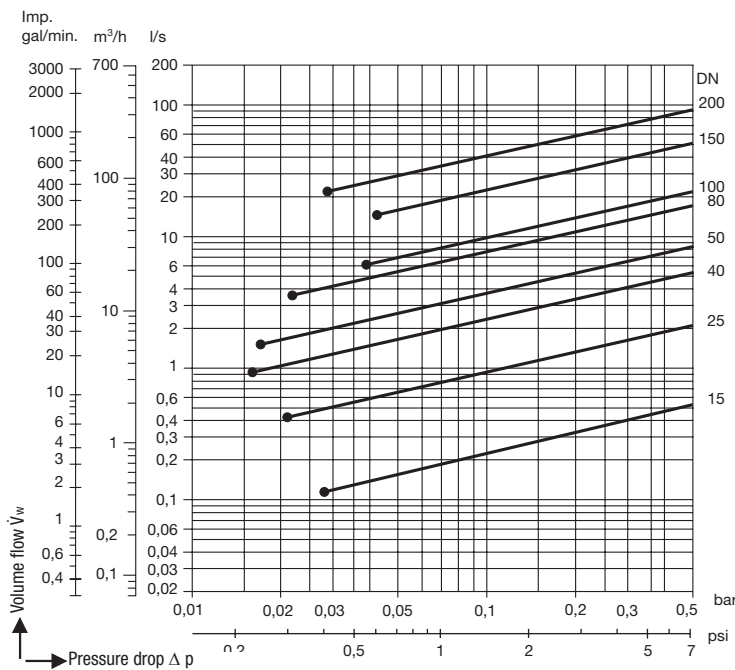
### Opening Pressures

Differential pressures at zero volume flow.

#### RK 29 A

DN	Opening pressures in mbar							
	without spring		Direction of flow				with spring	
	↑		↑		→		↓	
	PN 160 CL 900	PN 400 CL 2500	PN 160 CL 900	PN 400 CL 2500	PN 160 CL 900	PN 400 CL 2500	PN 160 CL 900	PN 400 CL 2500
15	6	6	22	22	16	16	10	10
25	8	8	26	26	18	18	10	10
40	10	10	30	30	20	20	10	10
50	10	10	30	30	20	20	10	10
80	11	13	32	36	21	23	10	10
100	12	24	34	58	22	34	10	10
150	18	–	46	–	28	–	10	–
200	21	–	52	–	31	–	10	–

#### RK 29A



- Required minimum volume flow  $\dot{V}_w$  for equipment with standard spring and horizontal flow.

**Application:**

RK valves with special springs can be used for protecting and/or relieving the safety valve. Special springs can occasionally also assume the function of a pressure-maintaining valve. Note that RK valves with special springs must not be used as item of equipment with fail-safe function.

Opening pressure 1) (mbar)	Size DN												
	15	20	25	32	40	50	65	80	100	125	150	200	
without spring	X												
5	Standard 5)										X	X	X
10											Standard		
20	–	–	–	–	–	–	–	–	–	–	X	X	X
40	–	X	X	X	X	X	X	X	X	X	X	X	X
70	X	X	X	X	X	X	X	X	X	X	X	X	X
100	X	X	X	X	X	X	X	X	X	X	X	X	X
200	X	X	X	X	X	X	X	X	X	X	X	X	X
300	X	X	X	X	X	X	X	X	X	X	X	X	X
400	X	X	X	X	X	X	X	X	X	X	X	X	X
500	X	X	X	X	X	X	X	X	X	X	X	X	X
700	X	X	X	X	X	X	X	X	X <sup>2)</sup>	X			
1000	X	X	X	X	X	X	X <sup>2)</sup>	X <sup>2)</sup>	X <sup>2)</sup>	X			
1500			X <sup>2)</sup>	X <sup>2)</sup>	X <sup>2)</sup>	X <sup>2)</sup>	X <sup>2)</sup>	X <sup>2)</sup>	X <sup>2)</sup>	X <sup>2)</sup>	X		
2000			X <sup>2)</sup>	X <sup>2)</sup>	X <sup>2)</sup>	X <sup>2)</sup>	X <sup>2)</sup>	X <sup>2)</sup>	X <sup>2)</sup>	X <sup>2)</sup>	X		
2500			X <sup>2)</sup>	X <sup>2)</sup>	X <sup>2)</sup>	X <sup>2)</sup>	X <sup>2)</sup>	X <sup>2)</sup>	X <sup>2)</sup>	X <sup>2)</sup>	X		
3000			X <sup>2)</sup>	X <sup>2)</sup>	X <sup>2)</sup>	X <sup>2)</sup>	X <sup>2)</sup>	X <sup>2)</sup>	X <sup>2)</sup>	X <sup>2)</sup>	X		
Nimonic <sup>3)</sup>	5	X	X	X	X	X	X	X	X	X	X <sup>4)</sup>	X <sup>4)</sup>	X <sup>4)</sup>

1) The opening pressure ratings (deviations ± 15 % possible) refer to vertical installation with downward flow.

2) Design with disc springs only for RK 16A, RK 26A, RK 86 and RK 86A available.

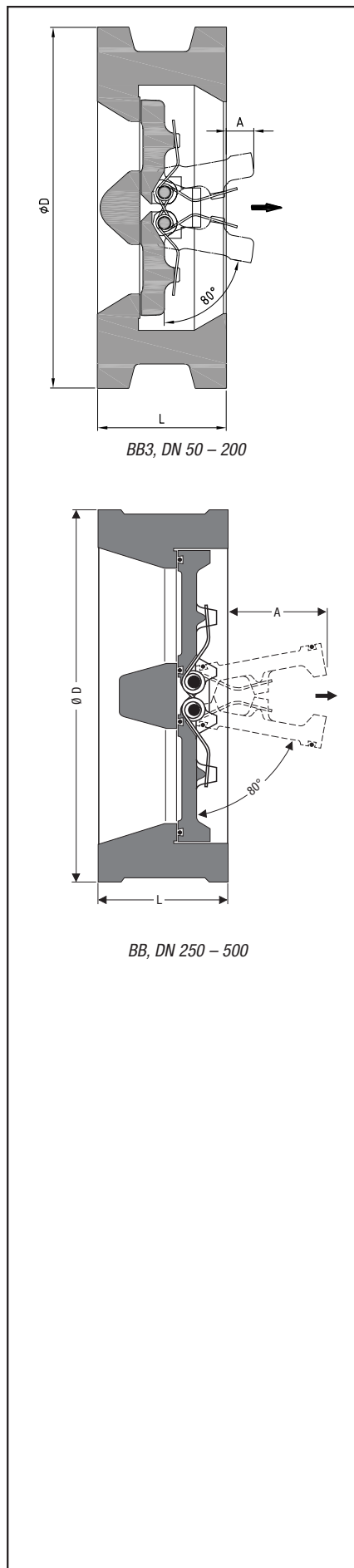
Disc springs cannot be supplied individually. Retrofitting not possible.

3) Special springs made of Nimonic only available for RK 16A, RK 26A, RK 86 and RK 86A.

4) Opening pressure 10 mbar.

5) The standard opening pressure was changed from 20 mbar to 5 mbar.

With these sizes and opening pressures reduced lifts of the valve disc / cone and, consequently, increased resistances must be taken into account



## Application and Features

Type	PN	Application	Features
BB EN BB ASME	PN 10 – 40 Class 150 – 300	for liquids, gases and vapours  suitable for heating, air-conditioning, water supply and cooling installations, for applications where minimum pressure loss is required, for frequency-controlled pumps	top quality, minimum pressure loss, for horizontal and vertical installations, stable operation when partly open (horizontal), downward flow (special spring), 2 hinge pins, 4 springs to close, disc plates with individually suspended stop lugs, swing stop for stable opening position, angle when fully open: 80°, coated or with closing damper and bore for earthing

## Materials

Design	Part designation	Nominal size DN	EN reference	ASTM equivalent 1)
Grey cast iron (BB ... G)	Body	150 – 500	5.1301	A 126 Class A
	Dual plate	150 – 500	5.3106	A 536 60-40-18
Carbon steel (BB ... C)	Body	50 – 500	1.0619	A 216 WCB
	Dual plate	50 – 80	1.4404	A 182 F316L
	Dual plate	100 – 500	1.0619	A 216 WCB
Stainless steel (BB ... A)	Body	50 – 500	1.4408	A 351 CF8M
	Dual plate	50 – 80	1.4404	A 182 F316L
	Dual plate	100 – 500	1.4408	A 351 CF8M

1) Physical and chemical properties comply with EN grade.

## Pressure/Temperature Ratings with metal-to-metal seat

EN series	Type	PN	Max. service pressure in bar at temperature in °C <sup>2)</sup>			
			20	300	450	550
Grey cast iron down to –10 °C at nominal pressure	BB 11G / 21G	PN 6	6	3.6	–	–
	12G / 22G	PN 10	10	6.0	–	–
	14G / 24G	PN 16	16	9.6	–	–
Carbon steel down to –10 °C at nominal pressure	BB 12C/22C/32C	PN 10	10	7.0	3.7	–
	14C/24C/34C	PN 16	16	11.1	5.9	–
	15C/25C/35C	PN 25	25	17.4	9.2	–
	16C/26C/36C	PN 40	40	27.8	14.7	–
Stainless steel <sup>3)</sup> down to –200 °C at nominal pressure	BB 12A/22A/32A	PN 10	10	6.4	5.7	5.2
	14A/24A/34A	PN 16	16	10.3	9.1	8.3
	15A/25A/35A	PN 25	25	16.1	14.1	12.9
	16A/26A/36A	PN 40	40	25.8	22.6	20.7

ASME series	Type	Class	Max. service pressure in bar at temperature in °C <sup>2)</sup>				
			20	300	425	450	538
Carbon steel down to –29 °C at nominal pressure	DN 50 - DN 500						
	BB 15C/BB 25C/BB 35C	150	19.6	10.2	5.5	–	–
	BB 16C/BB 26C/BB 36C	300	51.1	39.8	28.8	–	–
Stainless steel <sup>3)</sup> down to –200 °C at nominal pressure	DN 50 - DN 500						
	BB 15A/BB 35A	150	19.0	10.2	5.5	4.6	1.4
	BB 16A/BB 36A	300	49.6	31.6	29.1	28.8	25.2

2) For temperatures above +300 °C special springs of Inconel X 750 are required.

3) If the operating temperatures exceed 300 °C intercrystalline corrosion may occur. Do not subject the equipment to operating temperatures higher than 300 °C unless intercrystalline corrosion can be ruled out.

Seat gasket	Temperature in C°	Seat gasket	Temperature in C°
EPDM	–40 up to +150	FPM (FKM)	–25 up to +200
NBR	–30 up to +110	PTFE / FPM	–25 up to +200 (from DN 150)

## Minimum volume flow in m³/h

Flow direction	↑	→		→	
Spring type	without spring	with spring 7 WA		with spring 2 WA	
DN	fully open	stable partial opening*)	fully open	stable partial opening*)	fully open
50	12	4	9	3	7
65	18	5	17	3,5	12
80	30	6	25	4	18
100	65	7	58	5	38
125	105	10	70	6	40
150	130	12	70	9	44
200	320	30	230	20	170
250	480	50	300	30	200
300	750	78	500	42	360
350	950	140	600	80	380
400	1300	200	800	110	460
450	1800	250	900	130	550
500	2300	280	1200	160	650

Values based on water at 20 °C

\*) Provide stabilizing leg (at least 5 times DN upstream and twice DN downstream of the equipment).

If the flowrate is below the minimum volume flow (instable area) increased wear and noise are to be expected.

## Opening Pressures

Differential pressures at zero volume flow.

Flow direction	↑	→	↓	
Spring type	without spring	7 WA	7 WA <sup>1)</sup>	5 VO
DN	Opening pressures in mbar			
50	6	13	7	5
65	6	13	7	5
80	7	14	7	5
100	7	14	7	5
125	10	17	7	5
150	11	18	7	5
200	12	19	7	5
250	14	21	7	5
300	15	22	7	5
350	17	24	7	5
400	19	26	7	5
450	22	29	7	5
500	23	30	7	5

<sup>1)</sup> 2WA spring, opening pressure 2 mbar

## Pressure Drop Chart

The curves given in the chart are valid for water at 20 °C. To read the pressure drop for other fluids the equivalent water volume flowrate must be calculated and used in the graph  $\dot{V}_w$ .

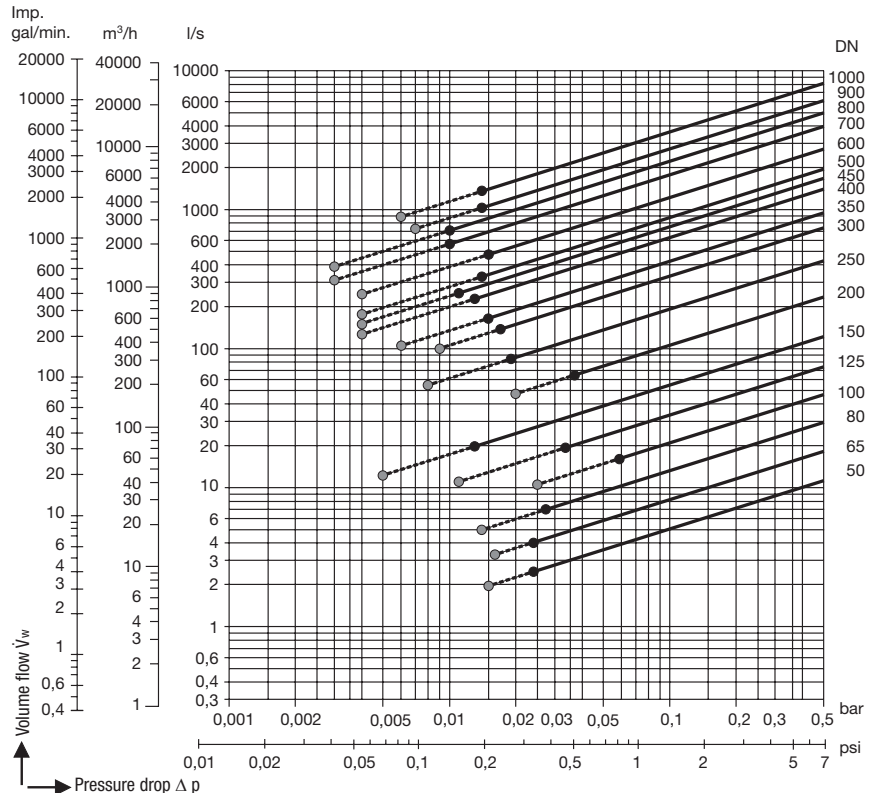
The values indicated in the chart are applicable to valves equipped with standard spring 7 mbar and horizontal flow as well as valves with special spring 2 mbar and horizontal flow.

$$\dot{V}_w = \dot{V} \cdot \sqrt{\frac{\rho}{1000}}$$

$\dot{V}_w$  = Equivalent water volume flow in l/s or m³/h

$\rho$  = Density of fluid (operating condition) in kg/m³

$\dot{V}$  = Volume of fluid (operating condition) in l/s or m³/h



- Required minimum volume flow  $\dot{V}_w$  for valves with special spring 2 WA and horizontal flow.
- Required minimum volume flow  $\dot{V}_w$  for valves with standard spring 7 WA and horizontal flow.

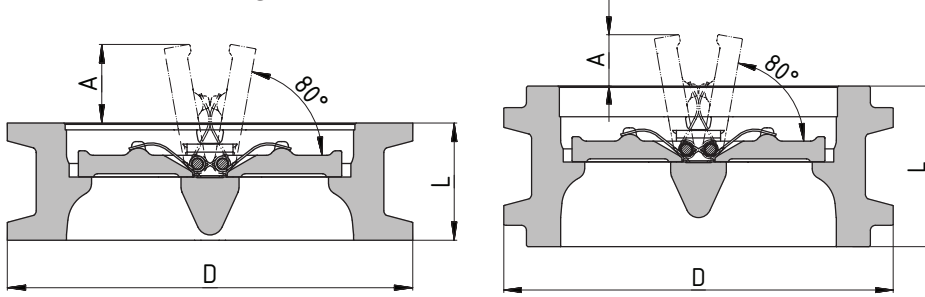
# DISCOCHECK® Dual-Plate Check Valves BB

Short overall length according to DIN EN 558, series 16

ASME series with short overall length to API 594, ASME series with short overall length to DIN EN 558



## Dimensions and Weights



### EN series

**BB 3 ... short overall length as per DIN EN 558, series 16**

DN	PN	Dimensions in mm			Weight kg
		D	L	A	
50	10/16/25/40	109	43	8	2,0
65	10/16/25/40	129	46	11	3,0
80	10/16/25/40	144	64	12	4,5
100	10/16	164	64	19	6,0
	25/40	171	64	19	6,5
125	10/16	194	70	28	9,0
	25/40	196	70	28	9,5
150	10/16	220	76	40	11,0
	25/40	226	76	40	11,5
200	10/16	275	89	64	19,0
	25	286	89	64	20,0
250	40	293	89	64	21,0
	10/16	330	114	87	34,0
300	25	343	114	87	37,0
	40	355	114	87	40,0
	10	380	114	110	44,0
350	16	386	114	110	45,5
	25	403	114	110	57,0
	40	420	114	110	61,5
	10	440	127	120	66,0
400	16	446	127	120	67,5
	25	460	127	120	81,0
	40	477	127	120	86,0
450	10	491	140	142	90,5
	16	498	140	142	93,5
	25	517	140	142	112,0
	40	549	140	142	124,0
500	10	541	152	163	106,0
	16	558	152	163	110,0
	25	567	152	163	121,0
550	40	574	152	163	128,0
	10	596	152	181	130,0
	16	620	152	181	136,0
	25	627	152	181	148,0
600	40	631	152	181	152,0

### ASME series

**BB 3...ASME face to face dimension as per API 594**

NPS/ DN	Class	Dimensions in mm			Weight kg
		D	L	A	
2/ 50	150	105	60	0	2,5
	300	111	60	0	3,0
2½/ 65	150	124	67	0	3,5
	300	130	67	0	4,0
3/ 80	150	137	73	5	4,5
	300	149	73	5	5,0
4/ 100	150	175	73	10	7,5
	300	181	73	10	8,0
5/ 125	150	197	86 <sup>1)</sup>	12	11,0
	300	216	86 <sup>1)</sup>	12	13,0
6/ 150	150	222	98	25	15,5
	300	251	98	25	19,0
8/ 200	150	279	127	51	27,5
	300	308	127	51	31,0
10/ 250	150	340	146	72	46,0
	300	362	146	72	60,0
12/ 300	150	410	181	76	80,0
	300	422	181	76	82,5
14/ 350	150	451	184	57	99,0
	300	486	222	66	123,5
16/ 400	150	514	191	115	134,5
	300	540	232	94	164,0
18/ 450	150	549	203	138	152,0
	300	597	264	107	207,0
20/ 500	150	606	219	148	201,0
	300	654	292	111	274,0

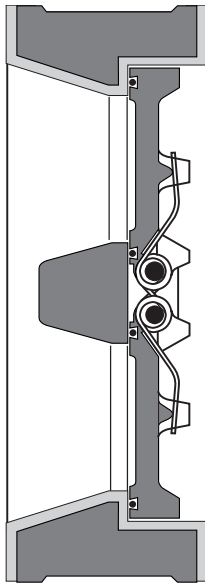
<sup>1)</sup> Non-standard face to face dimension

### ASME series

**BB 3 ... ASME short overall length as per DIN EN 558, series 16**  
(Replaces BB 1...ASME and BB 2...ASME)

NPS/ DN	Class	Dimensions in mm			Weight kg
		D	L	A	
6/ 150	150	222	76	36	11,5
	300	251	76	36	16,0
8/ 200	150	279	89	70	19,5
	300	308	89	70	24,5
10/ 250	150	340	114	88	36,0
	300	362	114	88	44,0
12/ 300	150	410	114	109	58,5
	300	422	114	109	61,0
14/ 350	150	451	127	113	78,5
	300	486	127	113	88,0
16/ 400	150	514	140	140	110,0
	300	540	140	140	120,0
18/ 450	150	549	152	163	116,0
	300	597	152	163	157,0
20/ 500	150	606	152	181	142,0
	300	654	152	181	192,0

BB with lining from DN 150



Hard-rubber lining

## BB with Lining

### Application and Features

Type	PN	Application	Features
BB..GS	PN 10 – 16	for liquids, gases and vapours for salty fluids such as sea water	hard rubber coating for protection against abrasive media, thickness of coating 3 - 5 mm

### Materials

#### Made from grey cast iron (BB.. GS)

Component	EN number	ASME <sup>1)</sup>
Body	EN-JL 1040	A126B
Dual plates for equipment with lining and internals made from austenitic steel	1.4408	A351CF8M
Support and hinge pin	1.4571	A316Ti
Springs	1.4571	A316Ti
Dual plates for equipment with lining and internals made from bronze	CC332G	<sup>2)</sup>
Support and hinge pin	CW453K	C51900
Springs	CW452K	C52100

<sup>1)</sup> Equipment made from grey cast iron that complies with ASME specification is not available. The equivalent material specifications are stated for guidance only. Physical and chemical properties of the materials can therefore differ from the materials in accordance with ASME specification. For more details please contact the manufacturer.

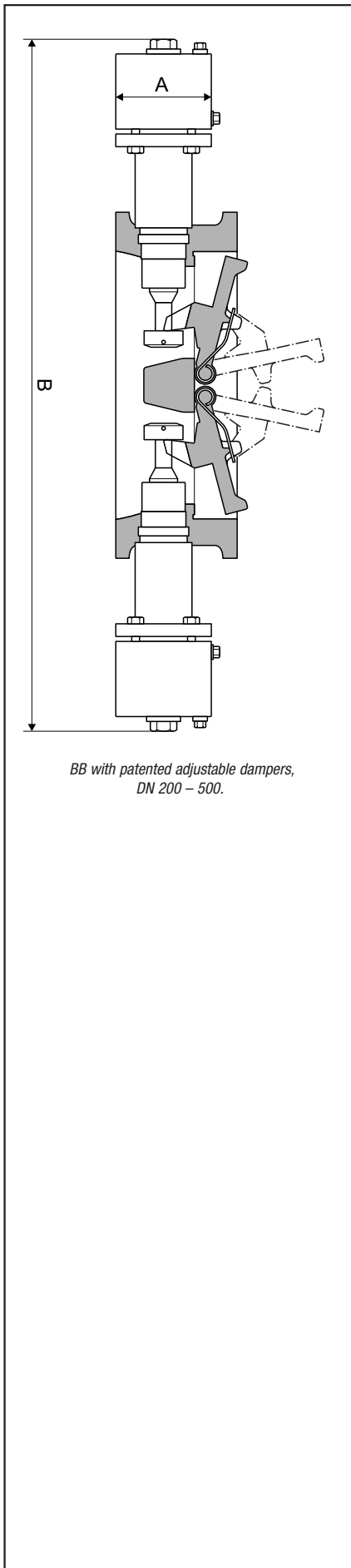
<sup>2)</sup> There is no ASME equivalent for the EN material.

### Lining materials for BB.. GS

Hard rubber based on isoprene rubber (IR), shore D hardness 75±5, max. thickness of layer 3-5 mm.

### Temperature Limits

**Hard rubber lining** –10°C up to 90°C



## BB with Dampers \*)

### Application and Features

Type	PN	Application for liquids	Features
BB EN	PN 10 – 40	e. g. for water supply and cooling installations, if waterhammer occurs in pipes conducting liquids, for preventing damage to the plant. To evaluate potential waterhammer problems please aks for our questionnaire.	slows down the closing process of the non-return valve, reduces the speed of return flow, damper does not change the overall length of the equipment, dampening cylindre made of rustproof material
BB ASME	Class 150 – 300		

### Materials

Component	EN	ASME <sup>1)</sup>
Hinge pin	1.4122	–
Guide bush, flange, cover	1.4104	AISI430F
Gasket	1.4571	AISI316Ti
O ring, inside	NBR	–

<sup>1)</sup> The equivalent material specifications are stated for guidance only. Physical and chemical properties of the materials can therefore differ from the materials in accordance with ASME specification.

\*) Not suitable for BB with coating

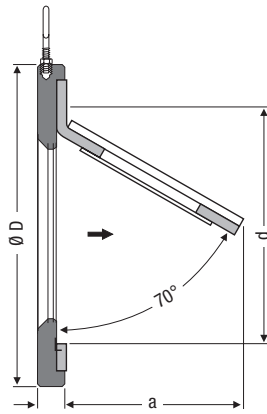
### Dimensions and Weights of Equipment with Closing Dampers

DN		200	250	300	350	400	500	
NPS		8	10	12	14	16	20	
A	mm	90				120		
B	mm <sup>1)</sup>	600	665	715	755	900	995	
Weight	kg <sup>1)</sup>	33	48	60	82	121	197	

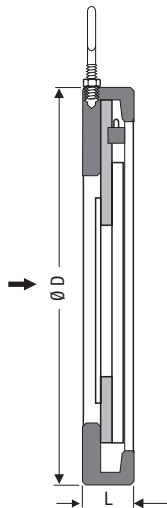
<sup>1)</sup> The indicated values are based on equipment PN 16. Specifications for other equipment types available on request.

### Pressure/Temperature Ratings

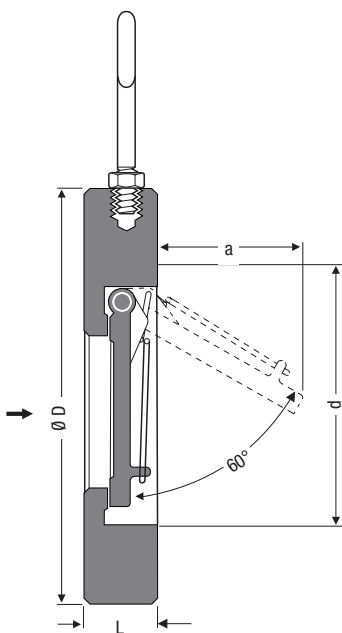
Size DN	mm	200	250	300	350	400	500
	inch	8	10	12	14	16	20
Max. service pressure	bar	16	16	13	9	13	9
Max. service temperature	°C	110					
Max. admissible pressure at line leading to the valve (pump switched off)	bar	0.5					



CB 14, DN 50 – 200 mm



CB 14, DN 250 – 300 mm



CB 24 S, CB 26, CB 26 A  
DN 50 – 300 mm

## Application and Features

Type	PN	Application for liquids, gases and vapours	Features
CB 14	PN 16	particularly suitable for water and compressed air	rubber-elastic hinge, low weight
CB 24S	PN 16	for salty fluids such as sea water	compact design, 2 bow springs, flap disc with stop for pipe protection, approved by Germanischer Lloyd, CB 24S also approved by Bureau Veritas
CB 26	PN 40	for industrial applications	
CB 26A	PN 40	for low temperatures and aggressive fluids	

## Materials

Type	Part designation	Nominal sizes DN	EN reference	ASTM <sup>1)</sup> equivalent
CB 14	Body	50 – 300 mm	1.0460 galvanized	A 105 galvanized
	Flap	50 – 300 mm	NBR	NBR
CB 24 S	Body	50 – 100 mm	Bronze (CC 483K-GS)	B 505 C 90 700
		125 – 300 mm	Bronze (CC 332G)	B 148 Alloy 952
	Flap	50 – 300 mm	Bronze (CC 332G)	B 148 Alloy 952
CB 26	Body	50 – 200 mm	1.0460	A 105
		250 – 300 mm	1.0460	A 105
	Flap	50 – 150 mm	1.4581	A 351 CF 8 MC
		200 – 300 mm	5.3103	–
CB 26 A	Body	50 – 250 mm	1.4571	AISI 316 TI
		300 mm	1.4581	A 351 CF 8 MC
	Flap	50 – 300 mm	1.4581	A 351 CF 8 MC

<sup>1)</sup> Physical and chemical properties comply with EN grade.

## Pressure/Temperature Ratings

Type	Nominal sizes DN	PN	p / T / bar / °C		
CB 14	50 – 300	PN 16	16 / - 10	6.0 / 60	4.0 / 80
CB 24 S	50 – 300	PN 16	16 / - 200	16.0 / 90	15.6 / 250 <sup>2)</sup>
CB 26	50 – 150	PN 40	40 / - 10	33.6 / 200	17.1 / 420 <sup>2)</sup>
	200 – 300	PN 40	40 / - 10	33.3 / 200	27.6 / 300
CB 26 A	50 – 300	PN 40	40 / - 10	35.8 / 200	28.0 / 450 <sup>2)3)</sup>

<sup>2)</sup> Max. pressure/temperature rating for CB without springs.

<sup>3)</sup> If the operating temperatures exceed 300 °C intercrystalline corrosion may occur. Do not subject the equipment to operating temperatures higher than 300 °C unless intercrystalline corrosion can be ruled out.

## CB Designs

Typ	Seat					Springs	
	metal-to-metal	NBR (–30 up to 110 °C) <sup>4)</sup>	EPDM (–40 up to 150 °C) <sup>4)</sup>	FPM (–25 up to 200 °C) <sup>4)</sup>	PTFE <sup>5)</sup> (–25 up to 200 °C) <sup>4)</sup>	without spring	special spring
CB 14	–	X <sup>6)</sup>	–	–	–	X	–
CB 24S	0	X	0	0	–	0	–
CB 26	0	–	X	0	0	0	–
CB 26A	0	–	X	0	0	0	–

<sup>4)</sup> Observe pressure / temp. ratings of the equipment

<sup>5)</sup> Cover FPM ring with PTFE

X : standard

<sup>6)</sup> Flap made from NBR (Perbunan) Temp. range: –10 °C up to 80 °C

0 : optional

– : not available

## Weights and Dimensions

Nominal size DN		Dimensions mm								Weight kg		
mm	in	CB 14		CB 24 S, CB 26, CB 26 A				CB 14 CB 24 S CB 26 CB 26 A				
		D	L	a	d <sup>7)</sup>	D	L	a	d <sup>7)</sup>	CB14	CB 24 S	CB 26 CB 26 A
50	2	98	14	45	47	98	17	40	50	0.7	0.9	0.9
65	2½	118	14	60	64	118	20	50	64	1.0	1.4	1.4
80	3	134	14	70	75	132	24	58	75	1.4	2.0	2.0
100	4	154	14	90	98	154	27	72	99	1.5	3.1	3.1
125	5	184	16	115	124	184	32	88	125	2.5	5.2	5.3
150	6	209	16	145	148	209	32	112	144	3.3	6.7	6.9
200	8	264	18	185	196	264	42	150	198	5.5	13.7	14.1
250	10	319	35	220	242	319	47	182	244	11.2	22.9	23.6
300	12	375	43	270	288	375	52	216	292	14.0	32.8	33.8

<sup>7)</sup> Minimum flange bore and inside pipe diameter.

### Pressure Drop Charts

The curves given in the chart are valid for water at 20 °C. To read the pressure drop for other fluids the equivalent water volume flowrate must be calculated and used in the graph  $\dot{V}_w$ .

The values indicated in the chart are applicable for spring-assisted valves with horizontal flow and to valves without spring installed in vertical pipes with upward flow.

### Opening Pressures

Differential pressures at zero volume flow.

Type	DN mm	Opening pressures in mbar		
		Direction of flow		
		↑	→	↓
CB 14	50 – 150	8	0	1)
	200 – 300	15	0	

Type	DN mm	Opening pressures in mbar			
		without spring		with spring	
		↑	→	→	↓
CB 24 S	50 – 150	5	12	7	1)
	200 – 300	8	15	7	
CB 26/	50 – 80	5	12	7	1)
CB 26 A	100 – 150	11	18	7	
	200 – 300	18	25	7	

1) Valves should not be used for downward flow applications, since the spring will not close the valve flap.

### Minimum volume flow CB 14

DN	Minimum volume flows in m <sup>3</sup>	
	for full opening	
	↑	→
50	12	10
65	18	17
80	29	28
100	42	41
125	55	51
150	140	100
200	260	190
250	460	360
300	610	500

Values refer to water at 20°C.

### Minimum volume flow CB 24 S, 26, 26 A

DN	Minimum volume flows in m <sup>3</sup>		
	for full opening		
	without spring	with spring	
	↑	↑	→
50	4	6	6
65	7	10	12
80	10	20	20
100	18	30	30
125	30	40	48
150	60	70	80
200	90	150	160
250	160	220	260
300	200	300	360

Values refer to water at 20°C.

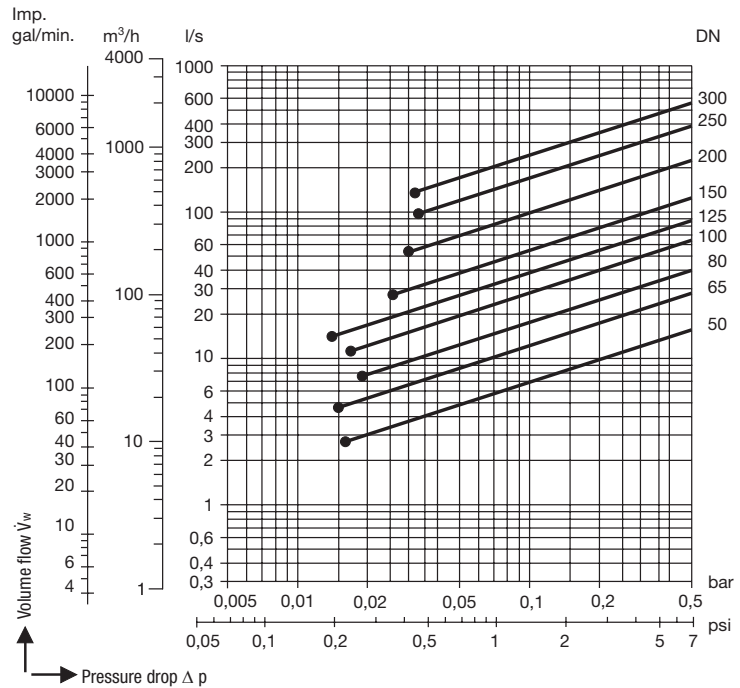
$$\dot{V}_w = \dot{V} \cdot \sqrt{\frac{\rho}{1000}}$$

$\dot{V}_w$  = Equivalent water volume flow in l/s or m<sup>3</sup>/h

$\rho$  = Density of fluid (operating condition) in kg/m<sup>3</sup>

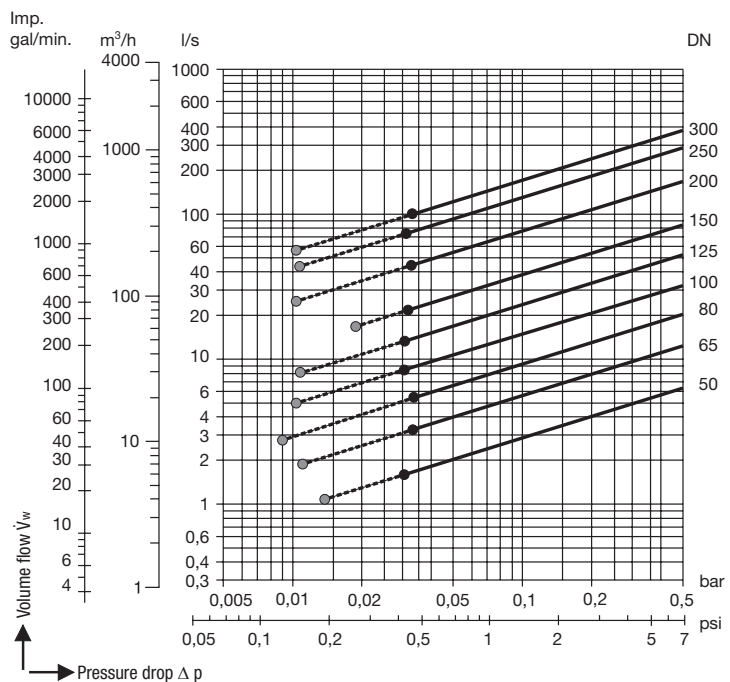
$\dot{V}$  = Volume of fluid (operating condition) in l/s or m<sup>3</sup>/h

### CB 14



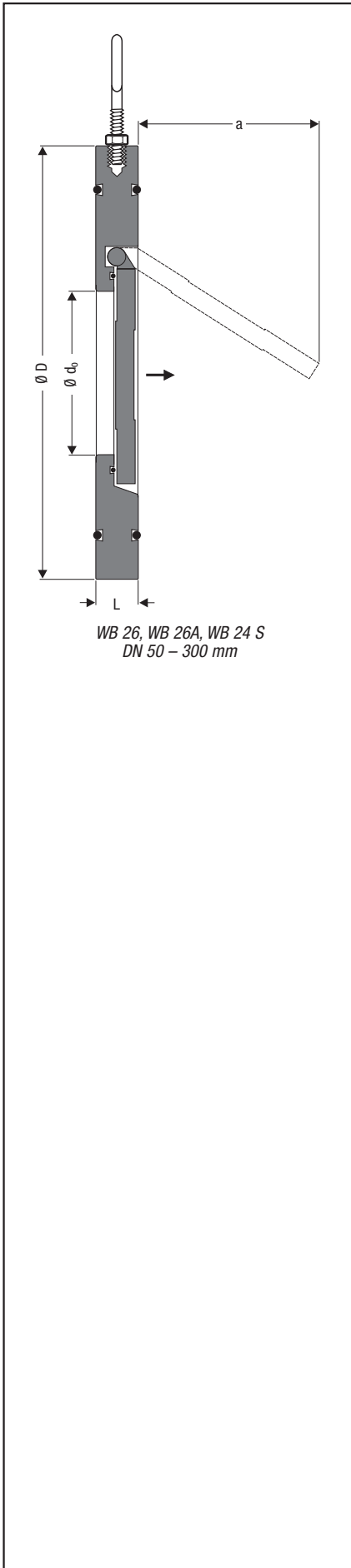
● Required minimum volume flow  $\dot{V}_w$  for equipment installed in horizontal pipes.

### CB 24 S, CB 26, CB 26 A



● Required minimum volume flow  $\dot{V}_w$  for equipment without spring installed in vertical pipes with upward flow.

● Required minimum volume flow  $\dot{V}_w$  for equipment with standard spring and horizontal flow.



### Application and Features

Type	PN	Application	Features
		for liquids, gases and vapours	
WB 24S	PN 16	for salty fluids such as sea water	without spring, eye bolt for easy installation, O-ring of NBR for flange sealing, short overall length
WB 26	PN 16	for industrial applications	
WB 26A	PN 16	for aggressive fluids	

### Materials

Type		ASTM reference	EN <sup>1)</sup> equivalent
WB 26	Body	Carbon steel, galvanized	Carbon steel, galvanized
	Flap	AISI 316	1.4401
WB 26 A	Body	AISI 316	1.4401
	Flap	AISI 316	1.4401
WB 24 S	Body and flap	Aluminium bronze	Aluminium bronze
O-rings		NBR as standard	

<sup>1)</sup> Physical and chemical properties comply with ASTM grade.

### Weights and Dimensions

Nominal size DN		Dimensions mm				Weight <sup>5)</sup>
mm	in	L	Ø D	a	Ø d <sub>0</sub>	kg
50	2	14	109	35	32	0.95
65	2½	14	129	48	40	1.2
80	3	14	144	60	54	1.6
100	4	18	164	78	70	2.5
125	5	18	195	98	92	3.5
150	6	20	220	116.5	112	4.7
200	8	22	275	160	154	7.6
250	10	26	330	200	200	13.2
300	12	32	380	235	240	20.5

<sup>5)</sup> The weight ratings apply for WB 26 and WB 26 A. WB 24 S reduced by approx. 5 %.

### Pressure/Temperature Ratings

Nominal pressure	PN	PN 16
Design with O-rings <sup>2)</sup>		NBR
Max. service pressure	bar	16
Related temperature	°C	110
Min. temperature <sup>3)</sup>	°C	-10

<sup>2)</sup> O-rings in flap and valve faces made of NBR as standard.

<sup>3)</sup> Minimum temperature for nominal pressure rating.

### WB Design

Type	Seat					Springs	
	metal-to-metal	NBR (-30 up to 110°C) <sup>4)</sup>	EPDM (-40 up to 150°C) <sup>4)</sup>	FPM (-25 up to 200°C) <sup>4)</sup>	PTFE (-25 up to 200°C) <sup>4)</sup>	without spring	special spring
WB 24S	0	X	Use CB 26	0	-	X	-
WB 26	0	X	Use CB 26	0	Use CB 26	X	-
WB 26A	0	X	Use CB 26A	0	Use CB 26A	X	-

<sup>4)</sup> Observe pressure/temp. ratings

X : standard  
0 : optional  
- : not available

### Pressure Drop Chart

The curves given in the chart are valid for water at 20 °C. To read the pressure drop for other fluids the equivalent water volume flowrate must be calculated and used in the graph  $\dot{V}_w$ .

The values indicated in the chart are applicable to equipment installed in horizontal pipes.

$$\dot{V}_w = \dot{V} \cdot \sqrt{\frac{\rho}{1000}}$$

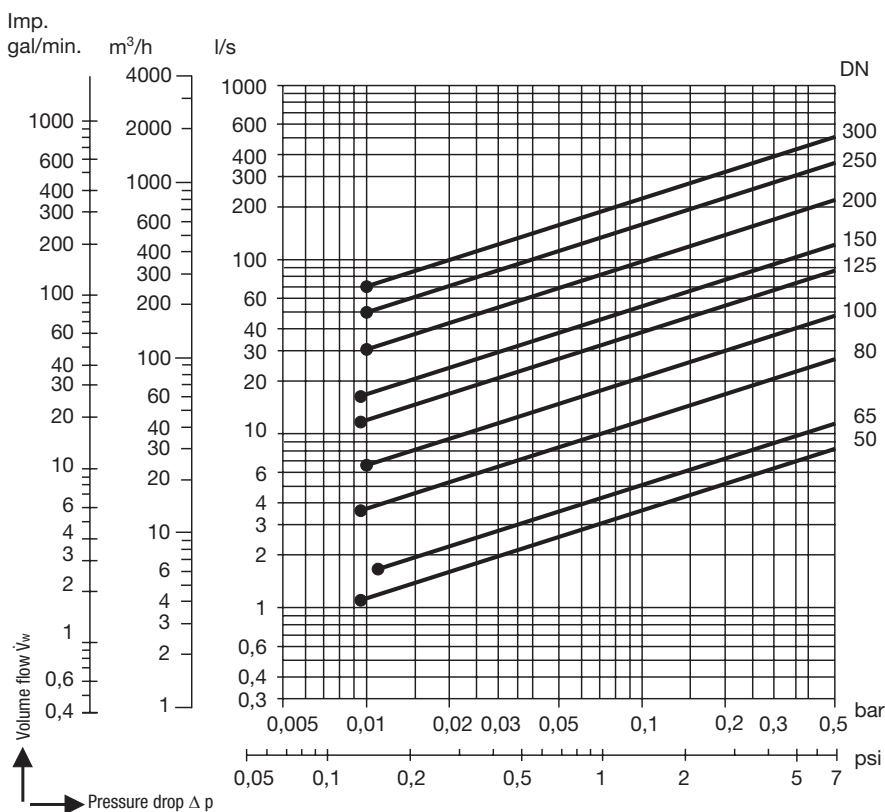
$\dot{V}_w$  = Equivalent water volume flow  
in l/s or m<sup>3</sup>/h

$\rho$  = Density of fluid  
(operating condition) in kg/m<sup>3</sup>

$\dot{V}$  = Volume of fluid (operating  
condition) in l/s or m<sup>3</sup>/h

### Opening Pressures

Opening pressure zero when valve is installed in horizontal line.

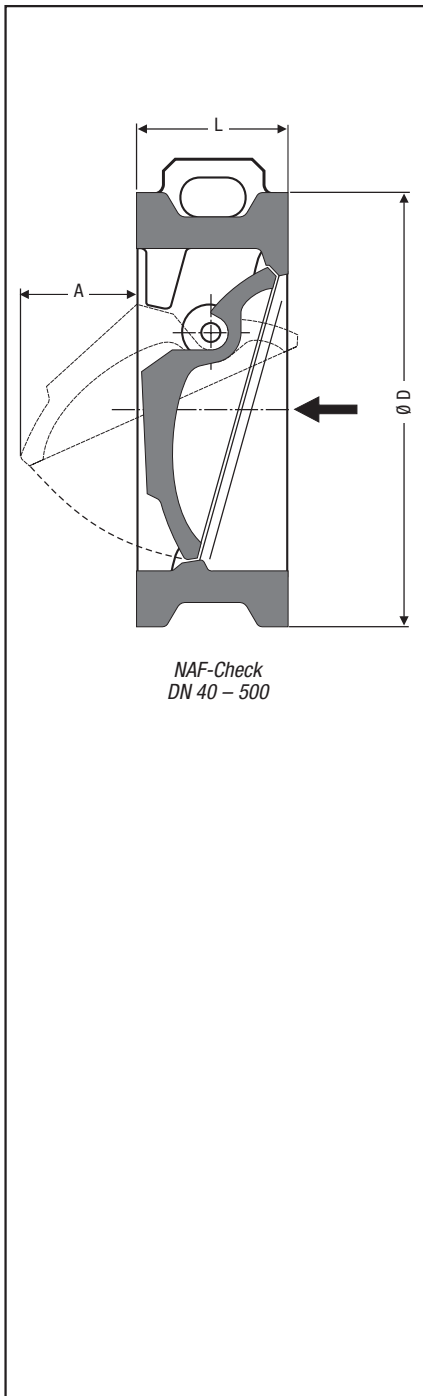


- Required minimum volume flow  $\dot{V}_w$  for equipment installed in horizontal pipes.

# NAF-Check Valves

## DN 40 – 500 mm, PN 10 – 40

EN Series, short overall length to DIN EN 558, table 2, series 16 (corresponds to DIN 3202, part 3, series K 3)



### Application and Features

Type	PN	Application	Features
NAF-Check	PN 10 – 40	for liquids, gases and vapours particularly suitable for fibrous media, e. g. in paper industry	excellent hydrodynamic properties, excentric flap suspension, low resistance coefficient

### Materials

Design	Part designation	Nominal size DN mm	EN / ASME	Equivalent
Steel	Body	40 – 50	1.4404	A316 L
		65 – 200	1.4308	A351 CF8
		250	1.4408	A351 CF8M
		300 – 500	1.0619	ASTMA216 WCB
	Flap	40 + 50	ASTM A487 Gr CA6NM	EN 1.4313
		65 – 500	1.4317	ASTM A743
Stainless steel	Body	40 – 50	1.4406	ASTM A316 L
		65 – 500	1.4408	ASTM A351 CF8M
	Flap	40 – 500	1.4470	ASTM A890

### Weight and Dimensions

Type	PN	DN mm	Dimensions mm			Weight kg
			D	L	A	
526 620 <sup>1)</sup> 526 630 <sup>2)</sup> 528 620 <sup>1)</sup> 528 630 <sup>2)</sup>	PN 10 – 40	40	84	33	15	1.2
		50	92	43	5	1.7
		65	108	46	12	1.7
		80	128	64	16	3
		100	158	64	26	5
		125	180	70	36	7
		150	203	76	51	9
		200	263	89	71	16
		250	315	114	90	28
526 520 <sup>1)</sup> 528 530 <sup>2)</sup> 528 520 <sup>1)</sup> 528 530 <sup>2)</sup>	PN 10 – 25	300	370	114	125	41
		350	432	127	146	48
		400	480	140	175	65
		450	530	152	188	94
		500	592	152	228	115

DN 600 – DN 1000 on request

<sup>1)</sup> without spring

<sup>2)</sup> with spring

### Pressure/Temperature Ratings

Design	Type	PN	DN mm	Max. service pressure in bar / related temperatures in °C <sup>3)</sup>										
				20	100	150	200	250	300	350	400	450	500	525
Steel down to –10 °C at nominal pressure	526 620/30	PN 40	40 – 250	40.0	36.3	32.7	26.9	27.6	25.7	24.5	23.8	–	–	–
	526 520/30	PN 25	300 – 500	25.0	23.2	22.0	20.8	19.0	17.2	16	14.8	–	–	–
Stainless steel <sup>4)</sup> down to –30 °C at nominal pressure	528 620/30	PN 40	40 – 250	40.0	40.0	36.3	33.7	31.8	–	–	–	–	–	–
	528 520/30	PN 25	300 – 500	25.0	25.0	22.7	21.0	19.8	–	–	–	–	–	–

<sup>3)</sup> Max. temperature rating for design with spring: + 300 °C.

<sup>4)</sup> If the operating temperatures exceed 300 °C intercrystalline corrosion may occur. Do not subject the equipment to operating temperatures higher than 300 °C unless intercrystalline corrosion can be ruled out.

### Pressure Drop Chart

The curves given in the chart are valid for water at 20 °C. To read the pressure drop for other fluids the equivalent water volume flowrate must be calculated and used in the graph  $\dot{V}_w$ .

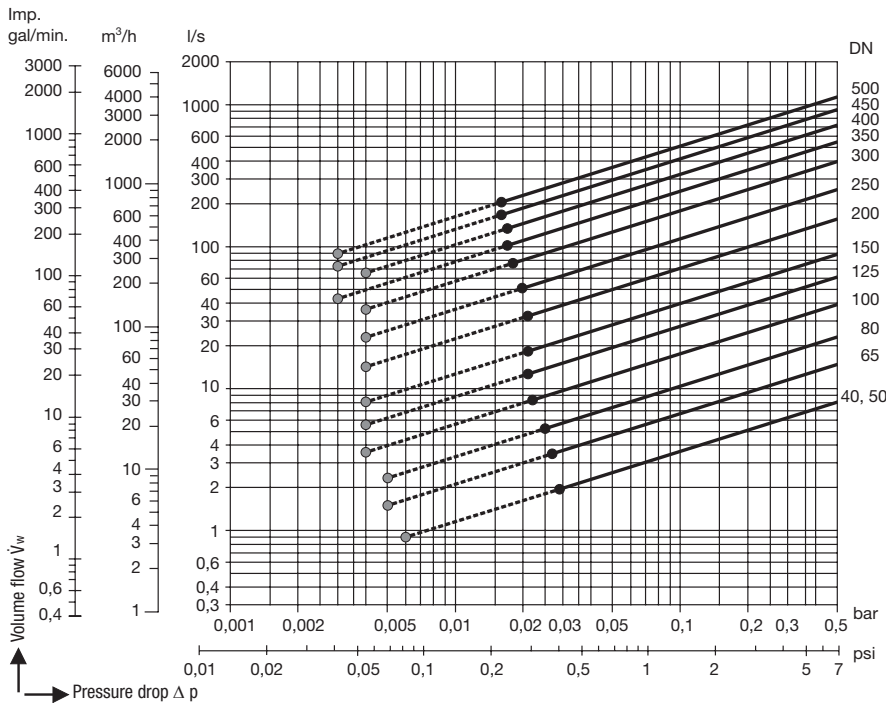
The values indicated in the chart are applicable for spring-assisted valves with horizontal flow and to valves without spring installed in vertical pipes with upward flow.

$$\dot{V}_w = \dot{V} \cdot \sqrt{\frac{\rho}{1000}}$$

$\dot{V}_w$  = Equivalent water volume flow  
in l/s or m<sup>3</sup>/h

$\rho$  = Density of fluid  
(operating condition) in kg/m<sup>3</sup>

$\dot{V}$  = Volume of fluid (operating  
condition) in l/s or m<sup>3</sup>/h



- Required minimum volume flow  $\dot{V}_w$  for equipment without spring installed in vertical pipes with upward flow.
- Required minimum volume flow  $\dot{V}_w$  for equipment with standard spring and horizontal flow.

**E-mail: info@de.gestra.com**

Type of fluid\*) \_\_\_\_\_

Density of fluid \_\_\_\_\_ kg/m<sup>3</sup>

Service pressure \_\_\_\_\_ bar

Service temperature \_\_\_\_\_ °C

Volume flow \_\_\_\_\_  Nm<sup>3</sup>/h  m<sup>3</sup>/h

Maximum admissible pressure drop \_\_\_\_\_ mbar

Nominal size \_\_\_\_\_ Pressure rating \_\_\_\_\_

For installation between

EN flanges  ASME flanges  \_\_\_\_\_

Type of non-return / check valves

Non-return valve  Swing check valve  Dual-plate check valve

Installed in

horizontal pipeline

vertical pipeline with upward flow

vertical pipeline with downward flow

Required inspections / approvals: \_\_\_\_\_

**Your details:**

Company
Name / job title
Telephone
Fax
E-mail
Date

\*) If the fluid is not water a detailed analysis (concentration, solid matter, pH value etc.) is required.

**GESTRA DISCOCHECK Dual-Plate Check Valves BB**

These top-quality dual-plate check valves considerably reduce operating costs by providing reliable, wear-resistant operation for extended service life and, at the same time, requiring little maintenance and low expenditure of pump wear.



# GESTRA Control Valves GCV

General service control valves

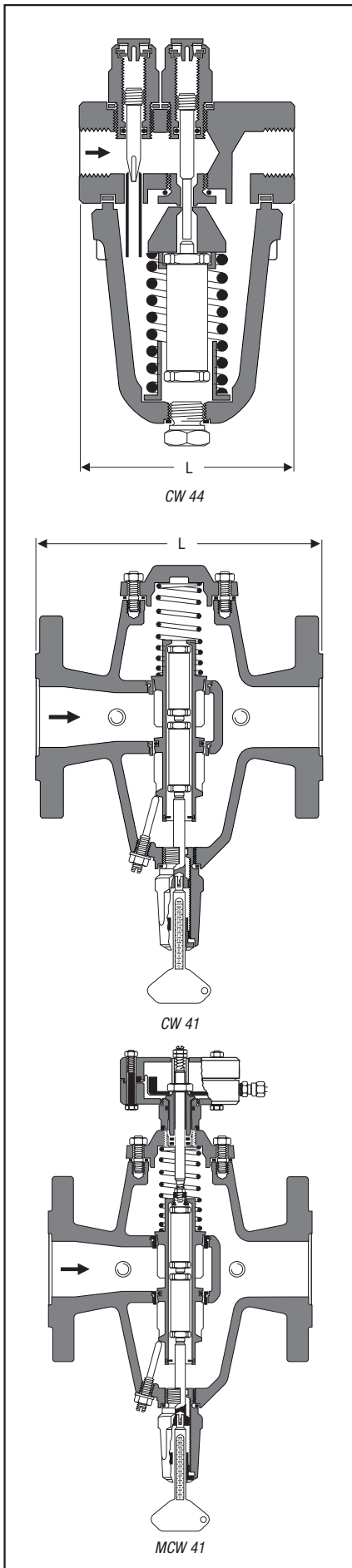


Designed to meet the demands of today's industries, the GESTRA Control Valve GCV is robust, innovative and cost effective.

- › Adaptable to your needs
  - a highly flexible modular design to meet your process requirements
- › Set and forget
  - designed for steam and other industrial fluids giving exceptional valve life, easy commissioning and low maintenance requirements
- › Improved working environments
  - noise and emission reducing options
- › Available in a wide range of sizes and connections

- A4 Return-Temperature Control Valves**
- A4 Self-Acting Pressure and Temperature Controllers**
- A4 Control Valves**
- A6 Safety Valves**
- A7 Strainers**
- A8 Stop Valves**

	<b>Page</b>
<b>Return-Temperature Control Valves</b>	
Cooling-Water Control Valves CW GESTRAMAT .....	70 – 71
Return-Temperature Control Valves BW KALORIMAT .....	72 – 74
<b>Self-Acting Pressure and Temperature Controllers</b>	
Pressure-Reducing Valves 5801 .....	75
Pressure-Maintaining Valves 5610 .....	76
Self-Acting Temperature Controllers .....	77 – 79
<b>Control Valves</b>	
Control Valves with Electric or Pneumatic Actuator .....	80
Control Valves ZK with Radial Stage Nozzle .....	81 – 84
Questionnaire for sizing ZK valves with radial stage nozzle .....	85
<b>Safety Valves GSV</b> .....	86
<b>Strainers GSF, SZ</b> .....	87 – 88
<b>Stop Valves GAV</b> .....	89 – 90
<b>Ball Valve GBV</b> .....	91



### Features of the CW Series

- Direct acting proportional controller for regulating the cooling-water return temperature.
- Reduced capital costs (for new plants) coolant and energy consumption due to higher discharge temperatures
- The valve prevents short-circuiting and automatically balances large systems.
- Straight-through body with solid-state expansion thermostat and setting device.
- Standard valve type CW 41 with pressure gauge (0–6 bar) and thermometer (–30 to +100 °C).
- MCW 41 = CW 41 with diaphragm actuator. (Retro-fitting of diaphragm actuator possible).

### Application

CW 41	for industrial cooling water
CW 44	
CW 41/4	for saline fluids, ammoniacal cooling water and chlorinated hydrocarbons (wetted internal parts made from stainless steel)
CW 44 k	
MCW 41	for heavily contaminated cooling systems

### Specification \*)

Type	PN	$\Delta P$ bar	Material		Pressure/Temperature		
			EN	ASTM	PS bar	TS <sup>2)</sup> °C	p / T <sup>2)</sup> bar / °C
CW 41	16	6	5.3103	A 395 <sup>1)</sup>	16	– 10 / 110	16 / 110
CW 41/4	16	6	5.3103	A 395 <sup>1)</sup>	16	– 10 / 110	16 / 110
CW 44	25	16	1.0460	A 105 <sup>1)</sup>	25	– 2 / 120	25 / 110
CW 44 K	25	16	1.0460	A 105 <sup>1)</sup>	25	– 10 / 85	25 / 85

1) ASTM nearest equivalent grade is stated for guidance only.  
Physical and chemical properties comply with EN.

2) Temperature that is admissible for only a short time depends on type of thermostat:  
n-thermostat 110 °C, w-thermostat 100 °C, k-thermostat 85 °C

\*) For more information on pressure/temperature ratings and end connections see data sheets.

### Temperature Ratings

Type	Thermostat / cone combination	Adjustment range
CW 41	wr or ws	20 °C – 60 °C
CW 41/4	nr or ns	3 °C – 100 °C
	kr or ks	–32 °C – 74 °C
CW 44	n	–2 °C – 106 °C
CW 44 K	k	–37 °C – 71 °C

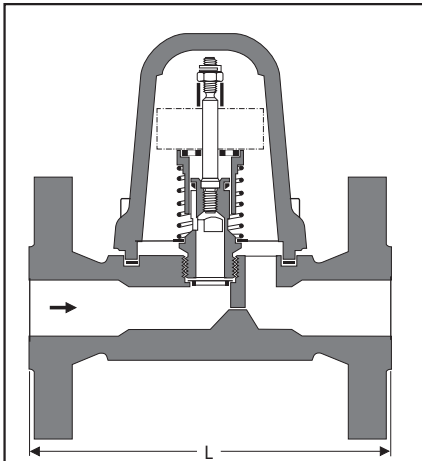
w = wax thermostat      r = reduced cone for small flowrates  
 n = standard thermostat      s = standard cone for large flowrates  
 k = thermostat for brine

### End Connections and Overall Lengths

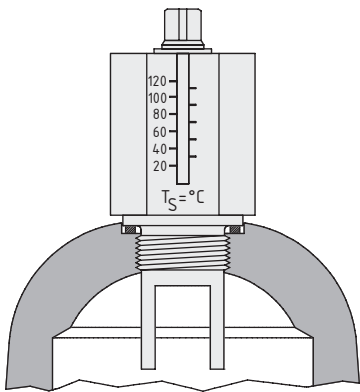
Type	End connection	Overall length L mm							
		DN 10	DN 15	DN 20	DN 25	DN 40	DN 50	DN 80	DN 100
		3/8"	1/2"	3/4"	1"	1 1/2"	2"	3"	4"
<b>CW 41</b>	Flanged EN PN 16	–	–	–	160	200	230	310	350
<b>CW 41/4</b>	Flanged EN PN 16	–	–	–	160	200	230	310	350
<b>CW 44</b>	Screw sockets	95	95	95	95	–	–	–	–
<b>CW 44 K</b>	Screw sockets	95	95	95	95	–	–	–	–

### Flowrates (k<sub>v</sub> values)

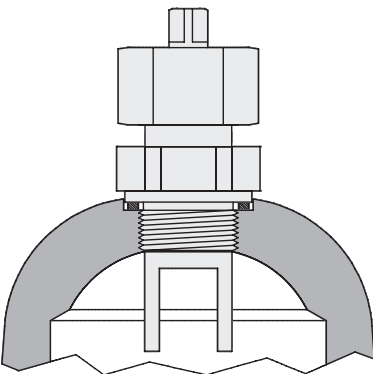
Type	Cone		DN 25	DN 40, DN 50	DN 80, DN 100	
<b>CW 41</b>	r	K <sub>VS</sub> value m <sup>3</sup> /h	2.1	6.5	20	
<b>CW 41/4</b>		K <sub>VO</sub> (Preset bleed flow) m <sup>3</sup> /h	0.12	0.31	1.0	
	s	K <sub>VS</sub> value m <sup>3</sup> /h	10.5	31	98	
		K <sub>VO</sub> (Preset bleed flow) m <sup>3</sup> /h	0.55	1.5	5.0	
			<b>G 3/8</b>	<b>G 1/2</b>	<b>G 3/4</b>	<b>G 1</b>
<b>CW 44</b>	–	K <sub>VS</sub> value m <sup>3</sup> /h	0.66	0.66	1.37	1.37
<b>CW 44 K</b>	–	K <sub>VO</sub> (Preset bleed flow) m <sup>3</sup> /h	0.04	0.04	0.04	0.04



BW 31, DN 15–25 mm



External setting device  
for BW 31



External setting device  
for BW 31A

### Features of the BW series

- Direct acting proportional controller for maintaining constant return temperatures.
- Used for regulating large heating systems and tracing systems, or for the temperature control of individual heat exchangers (washing baths, chemical and galvanic baths).
- Also suitable for a supply system tailored to the needs of consumers that are installed in parallel.
- Straight-through valve with balanced valve sleeve. Closing temperature set at our works.
- Valves with external setting device available on request.

### Application

BW 31	for hot water
BW 31 A	for thermal oils

### Specification \*)

Type	DN	PN	ΔP bar	Material		Pressure / Temperature		
				EN	ASTM	PS bar	TS °C	p / T bar / °C
BW 31	15-25	40	6	1.0460	A 105 <sup>1)</sup>	40	400	23.1 / 400
BW 31	40	25	6	1.0460	A 105 <sup>1)</sup>	25	400	14.4 / 400
BW 31A	15-25	40	6	1.0460	A 105 <sup>1)</sup>	40	400	23.1 / 400
BW 31A	40	25	6	1.0460	A 105 <sup>1)</sup>	25	400	14.4 / 400

1) ASTM nearest equivalent is stated for guidance only.  
Physical and chemical properties comply with EN.

\*) For more information on pressure/temperature ratings and end connections see data sheet.

### End Connections and Overall Lengths L

Type	Connections	Overall length L mm			
		DN 15	DN 20	DN 25	DN 40
		1/2"	3/4"	1"	1 1/2"
BW 31	Flanged EN PN 25	150	150	160	200
	Flanged ASME 150	150	150	160	215
	Screwed sockets	95	95	95	130
BW 31A	Flanged EN PN 25	150	150	160	200
	Flanged ASME 150	150	150	160	216
	Screwed sockets	95	95	95	130

### Closing temperatures (without external setting device)<sup>1)</sup>

Type	Adjustable range	DN 15 mm	DN 20 mm	DN 25 mm	DN 40 mm
		1/2"	3/4"	1"	1 1/2"
BW 31		20 °C - 130 °C	20 °C - 115 °C	20 °C - 115 °C	20 °C - 110 °C
BW 31A		120 °C - 270 °C	100 °C - 280 °C	100 °C - 280 °C	100 °C - 270 °C

<sup>1)</sup> We can supply a system set to a fixed closing temperature within the permitted range, in 5°C increments for the BW31 and 10°C increments for the BW31A.

### Adjustable closing temperatures (with standard external setting device)

BW 31	60 °C - 130 °C	40 °C - 115 °C	40 °C - 115 °C	50 °C - 110 °C
BW 31A	90 °C - 270 °C	70 °C - 270 °C	70 °C - 270 °C	70 °C - 270 °C

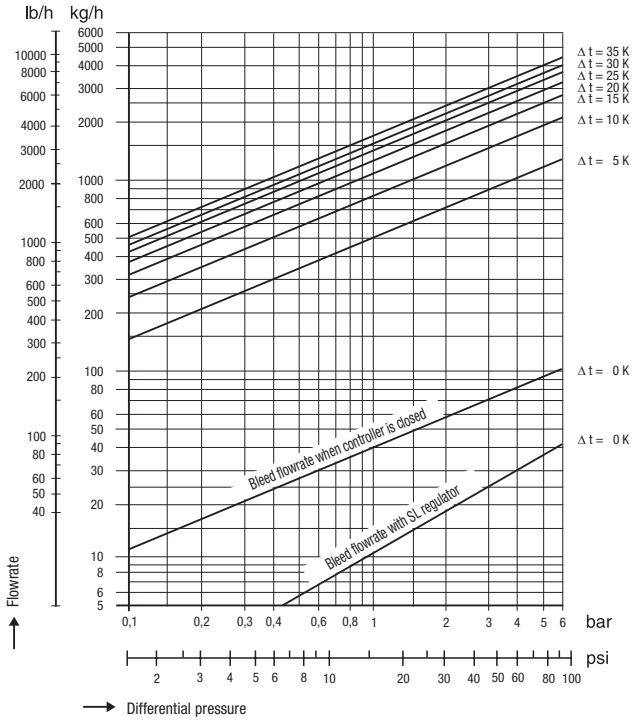
### Adjustable closing temperatures (with special external setting device)

BW 31	20 °C - 110 °C	20 °C - 90 °C	20 °C - 90 °C	20 °C - 75 °C
BW 31A	60 °C - 160 °C	30 °C - 170 °C	30 °C - 170 °C	25 °C - 85 °C

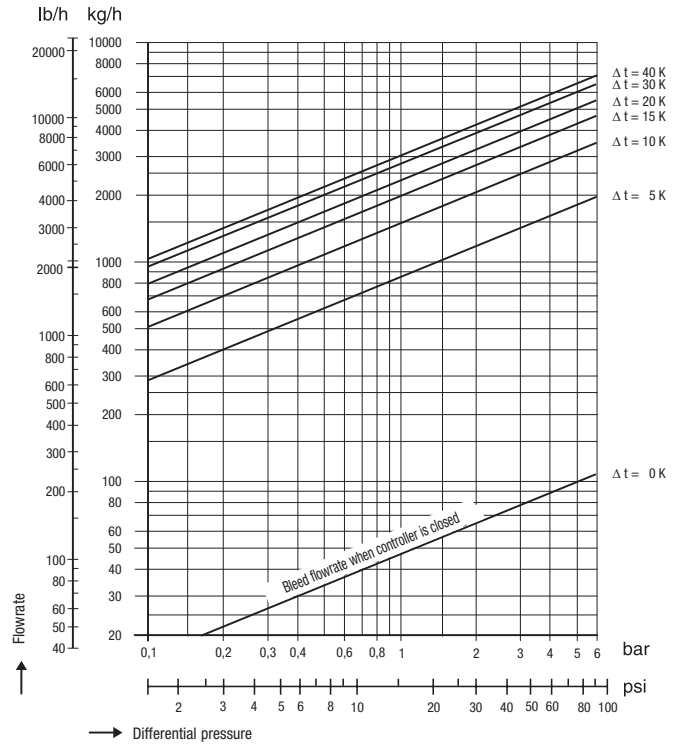
## Capacity Charts

$\Delta t$  = temperature difference in Kelvin K between closing temperature (temperature at which the valve is closed) and return temperature.

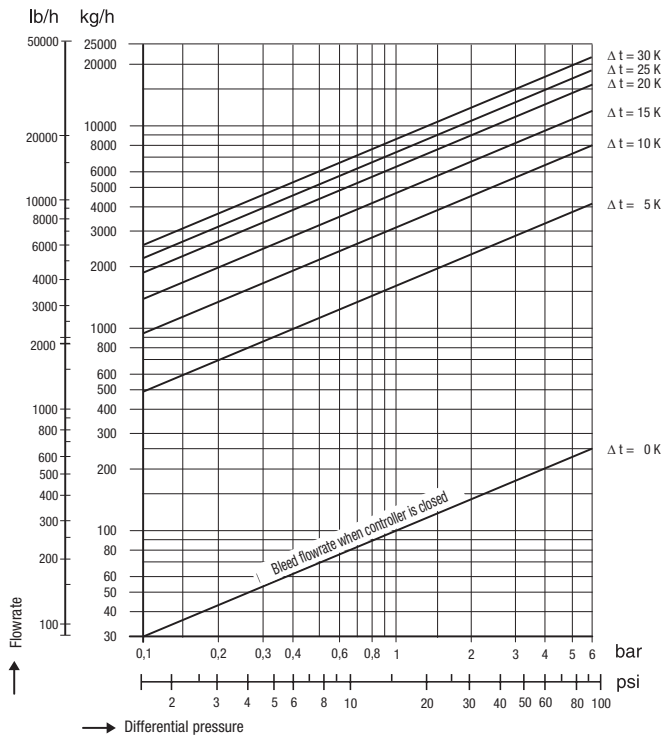
### BW 31, DN 15



### BW 31, DN 20 and 25



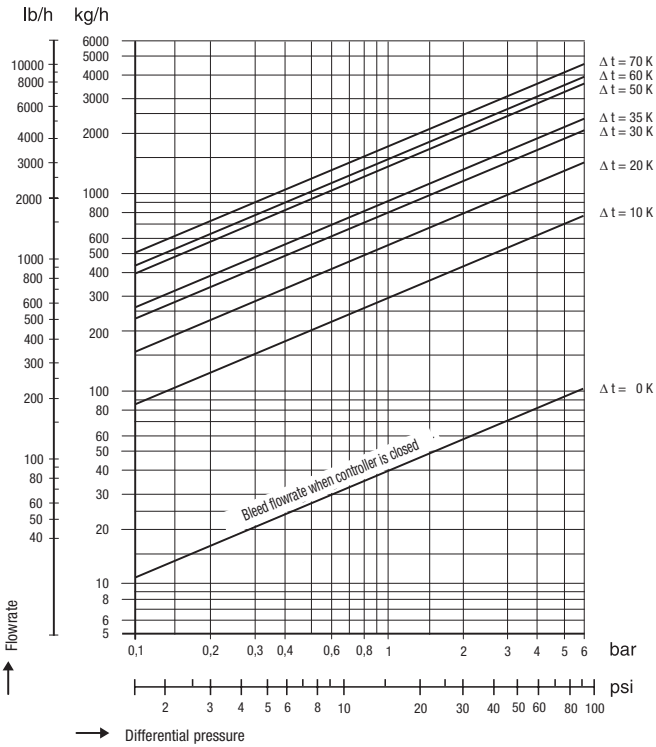
### BW 31, DN 40



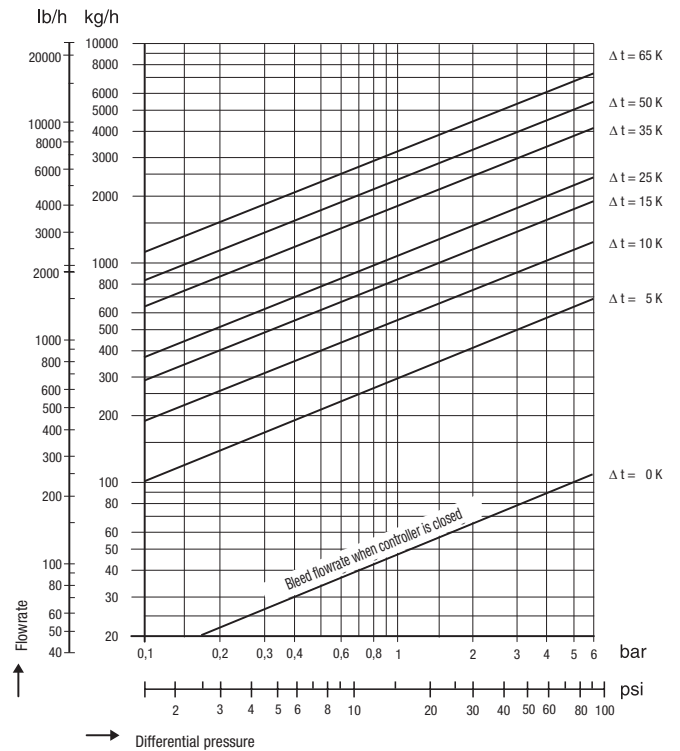
## Capacity Charts

$\Delta t$  = temperature difference in Kelvin K between closing temperature (temperature at which the valve is closed) and return temperature.

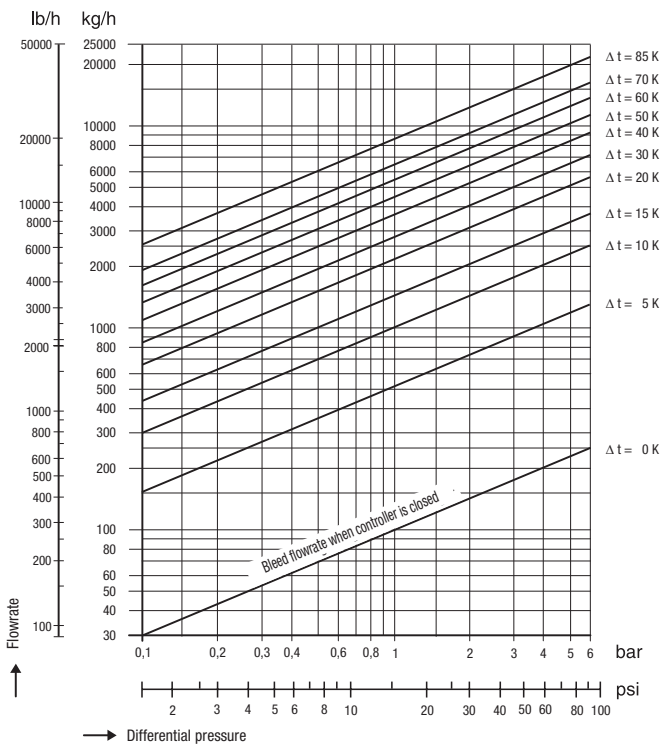
### BW 31A, DN 15

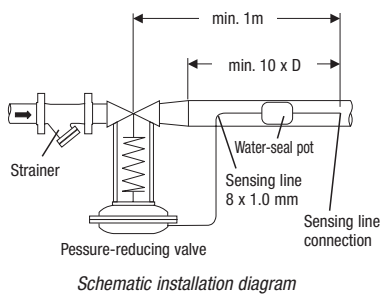
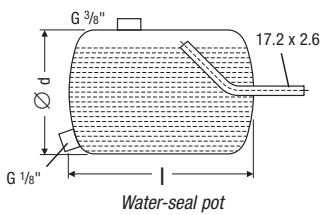
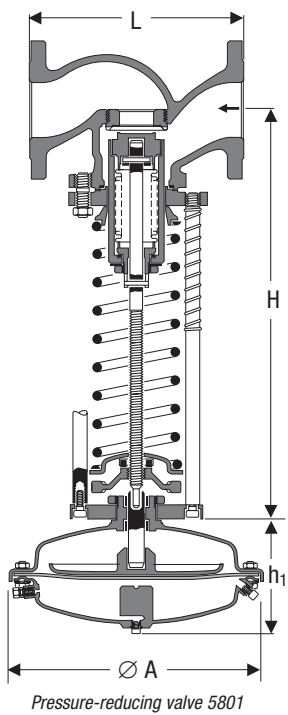


### BW 31A, DN 20 and 25



### BW 31A, DN 40





### Application

**Type 5801** Pressure-reducing valve for use with steam and other fluids.  
In all energy and process systems.

### Design

The pressure-reducing valve is a balanced single-seat proportional controller operating without auxiliary energy.  
The pressure-reducing valve consists of a body with internals, bellows, spring, handwheel and actuator. For steam and liquids at temperatures above 100 °C a water-seal pot is required to protect the actuator diaphragm.

### Dimensions and Weights of Valve Body

DN		15	20	25	32	40	50	65	80	100	125	150
L	mm	130	150	160	180	200	230	290	310	350	400	480
H	mm	390	390	390	408	425	500	505	590	590	705	725
Weight 1.0619	kg	7	8	9	12	14	19	27	40	54	82	115
Weight 1.4581												

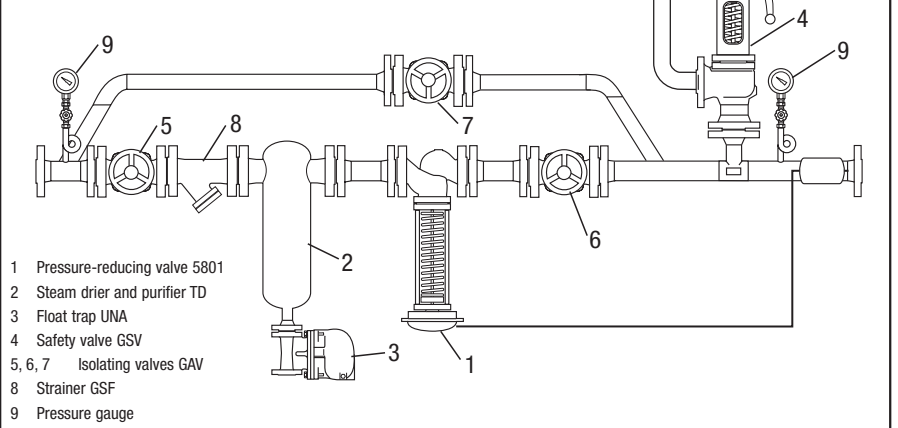
### Dimensions and Weights of Actuator

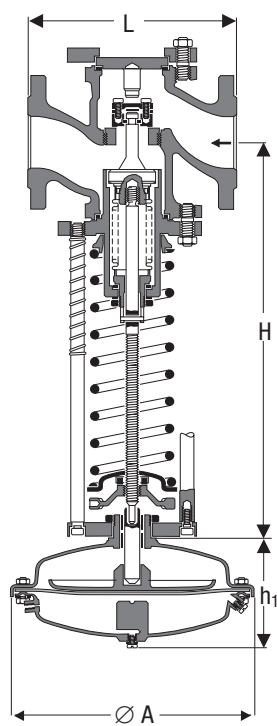
Actuator		A11	A2	A3	A4	A51	B11	B2
Ø A	mm	150	160	195	270	355	150	160
h <sub>1</sub>	mm	90	100	100	120	165	90	110
Approx. weight	kg	2.8	4.5	6.0	4.5	10	3.5	5.5

### Dimensions and Weights of Water Pot Seal

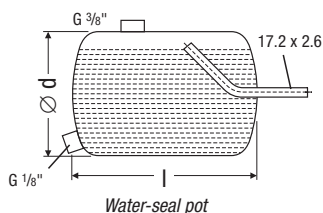
Size	l mm	d mm	Size DN	Weight kg
2	172	152.4	80 – 100	3.5
3	250	152.4	125 – 200	4.9

### Schematic Representation of a Compact-Design Pressure Reducing Station

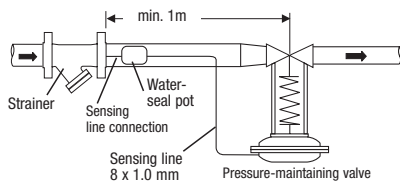




Pressure-maintaining valve 5610



Water-seal pot



Schematic installation diagram

### Application

**Type 5610** Pressure-maintaining valve for maintaining upstream pressures independent of downstream pressures for use with steam, gases and liquids.

### Design

The pressure-maintaining valve is a self-acting proportional controller with single-seat and balanced valve.

The pressure-maintaining valve consists of a body with internals, bellows, spring, handwheel and actuator. For steam and liquids at temperatures above 100 °C a water-seal pot is required to protect the actuator diaphragm.

### Dimensions and Weights of Valve Body

DN		15	20	25	32	40	50	65	80	100
L	mm	130	150	160	180	200	230	290	310	350
H	mm	405	405	405	410	425	495	500	590	590
Approx. weight	kg	10	11	12	14	18	23	35	48	70

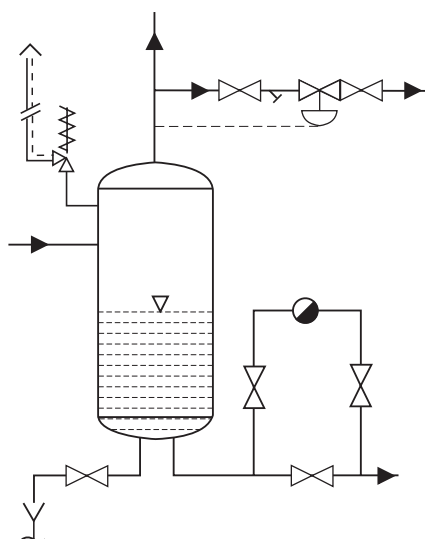
### Dimensions and Weights of Actuator

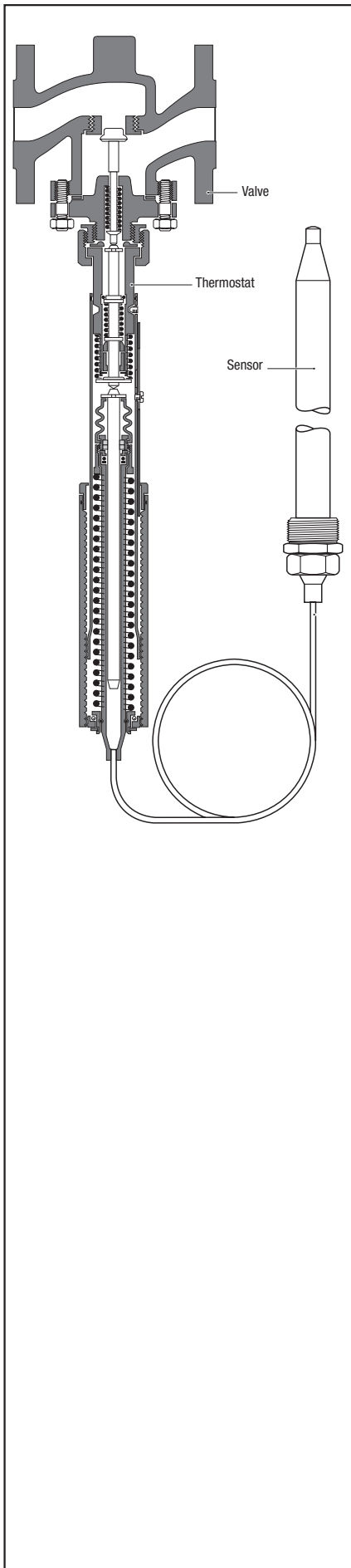
Actuator		A11	A2	A3	A4	A51	B11	B2
Ø A	mm	150	160	195	270	355	150	160
h <sub>1</sub>	mm	90	100	100	120	165	90	110
Approx. weight	kg	2.8	4.5	6.0	4.5	10	3.5	5.5

### Dimensions and Weights of Water-Seal Pot

Size	l mm	d mm	Size DN	Weight kg
2	172	152.4	80 – 100	4.9

### Diagrammatic layout of pressure-maintaining control unit with flash-vessel





### Application

Temperature control in heating and cooling processes in industrial plants, for h.v.a.c services and marine engineering. For liquids, gases, vapours.

### Design

The self-acting temperature controller consists of a valve featuring a thermostat and a sensor. According to the service conditions the controller is optionally equipped with a cooling unit or a sensor pocket.

The temperature sensed by the sensor changes the volume of the measuring liquid in the capillary tube. The resulting pressure acts directly on the actuating piston which, in turn, operates the valve spindle. As the temperature rises, the regulating valve is held in closed position (heating process) or open position (cooling process) until the pre-set release temperature is reached.

When the temperature drops again, a built-in return spring resets the valve to original position.

### Valves

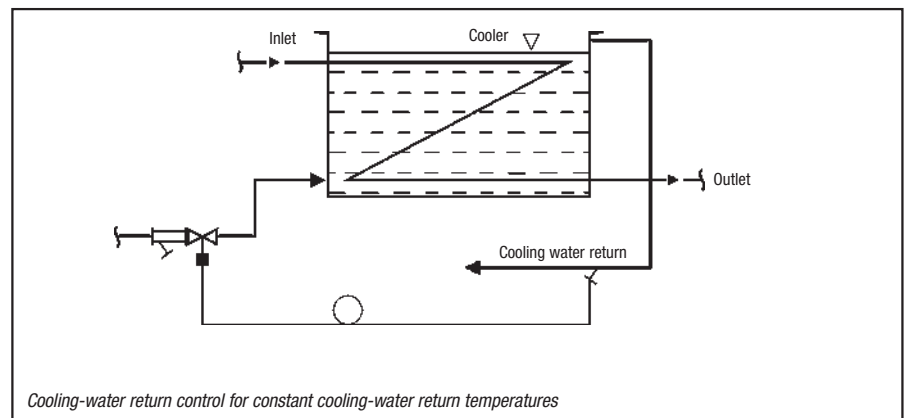
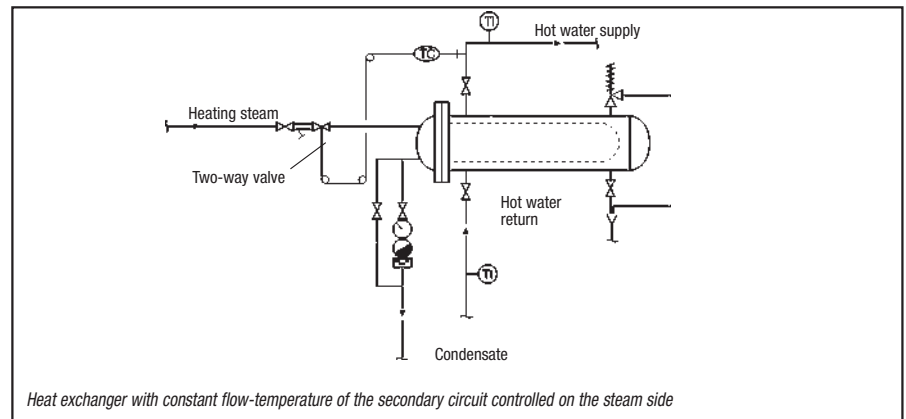
Two-way valves, with single seat or pressure-balanced single/double seat. Double-seated, two-way reverse-acting valves or three-way valves for diverting and mixing applications. Valve components made of gunmetal, cast iron, nodular cast iron or cast steel, with flanged or screwed connections.

### Thermostat

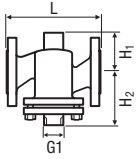
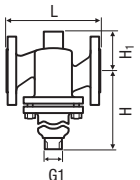
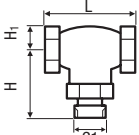
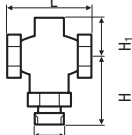
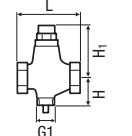
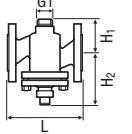
The thermostat is firmly attached to the sensor capillary tube. The rod-, spiral- or airduct-type sensors are made of copper or high-alloy stainless steel.

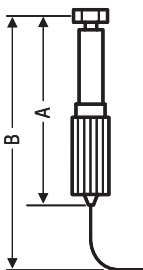
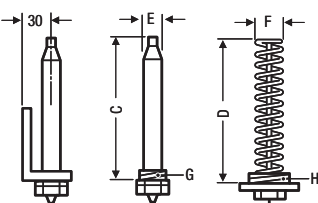
The capillary tube is available in different lengths, made of copper or high-alloy stainless steel.

### Examples of Industrial Process Applications



**Dimensions in mm and Weights in kg for Valves and Thermostats**

Valve type	DN	15	20	25	32	40	50	65	80	100	125	150	
	G	½	¾	1	1¼	1½	2						
<b>M1F</b> <b>G1F</b> <b>H1F</b> 	L	130	150	160	180	200	230						
	H <sub>1</sub>	80	85	95	105	110	125						
	H <sub>2</sub>	60	65	70	75	85	95						
	M1F/G1F	kg	3.1	4.2	5.5	8.1	9.7	14.7					
	H1F	kg	3.4	4.6	6.1	9.0	10.8	15.5					
<b>M1FBN</b> <b>G1FBN</b> <b>H1FBN</b> 	L	130	150	160	180	200	230	290	310				
	H	101	107	112	122	125	140	154	164				
	H <sub>1</sub>	80	85	70	75	85	95	110	115				
	M1FBN	kg	4	5	6.0	9.0	13.0	16.0	23.0	38.0			
	G1FBN	kg	4	5	6.0	9.0	13.0	16.0	23.0	38.0			
	H1FBN	kg	4	5	6.0	9.0	13.0	16.0	23.0	38.0			
<b>L1S</b> 	L	85	95										
	H	65	67										
	H <sub>1</sub>	20	32										
		kg	0.7	0.8									
<b>L2S</b> 	L					129	153						
	H					118	122						
	H <sub>1</sub>					68	71						
		kg					2.9	3.8					
<b>L2SR</b> 	L					129	153						
	H					65	70						
	H <sub>1</sub>					90	94						
		kg					3.0	4.0					
<b>M2FR</b> <b>G2FR</b> <b>H2FR</b> 	L		150	160	180	200	230	290	310	350	400	400	
	H <sub>1</sub>		63	70	75	85	95	110	155	145	160	180	
	H <sub>2</sub>		112	117	151	155	163	180	195	240	260	293	
		kg		5.0	6.5	9.0	11.0	16.0	21.0	35.0	39.0	75.0	77.0

Thermostats	Type V 2.05		Type V 4.03		Type V 4.05		Type V 4.10		Type V 8.09		Type V 8.18		
	K	N	K	N	K	N	K	N	K	N	K	N	
<b>Adjusting cylinder</b> 	A	305	305	385	385	385	385	385	385	560	560	560	
	B	405	405	525	525	525	525	525	525	740	740	740	
<b>Rod- and spiral-type sensor with BSP connection</b> 	C	210	190	210	190	390	380	490	515	710	745	800	
	D	235	170	235	170	235	250	325	325	425	435	810	
	E	22	22	22	22	22	22	28	25	28	25	34	
	F	49	49	49	49	49	49	49	49	49	49	49	
	G	¾	¾	1	1	1	1	1	1	2	2	2	
	H	2"	2"	2"	2"	2"	2"	2"	2"	2"	2"	2"	2"
		kg	1.8	1.8	2.4	2.4	2.6	2.6	3.3	3.3	6.3	6.3	7.3
		kg	2.3	2.3	2.9	2.9	3.1	3.1	3.8	3.8	6.3	6.3	7.3

## Closing Pressure Ratings for Valves and Sensors

### Single-seated regulating valves with flanged ends and rod-type copper sensor with copper capillary tube (3 m)

	DN mm	15/6	15/9	15/12	15	20	25	32	40	50	65	80
	<b>k<sub>vs</sub> value</b>	0.45	0.95	1.7	2.75	5	7.5	12.5	20	30	50	80
<b>Δp<sub>max</sub> for sensor type</b>	2.05	20	13	9.3	5.3	1.9	0.9	–	–	–		
<b>Fluid: saturated steam</b>	4.05	40	38	24	15	6.7	–	–	–	–		
Type M1F, G1F, H1F	4.10	–	–	–	–	–	4.1	1.9	0.8	–		
	8.09	–	–	–	–	16	10	5.8	3.3	2.3		

### Balanced, single-seated regulating valves with flanged ends and rod-type copper sensor with copper capillary tube (3 m)

	DN				15	20	25	32	40	50	65	80
	<b>k<sub>vs</sub> value</b>				4	6.3	10	16	25	35	58	80
<b>Δp<sub>max</sub> for sensor type</b>	4.05				16	16	16	16	9	8	6	4
<b>Fluid: saturated steam</b>	4.10				16	16	16	16	9	8	6	4
Type M1FBN, G1FBN, H1FBN	8.09				16	16	16	16	16	16	16	16
	8.18				16	16	16	16	16	16	16	16

### Single-seated regulating valves with screwed end connection and rod-type copper sensor capillary tube (3 m)

	BSP	1/2 / 6	1/2 / 9	1/2 / 12	1/2	3/4						
	<b>k<sub>vs</sub> value</b>	0.45	0.95	1.7	2.75	5						
<b>Δp<sub>max</sub> for sensor type</b>	2.05	16	16	–	6	2.9						
<b>Fluid: saturated steam</b>	4.05	16	16	–	16	9						
Type L 1S	4.10	16	16	–	16	9						

### Double-seated regulating valves with screwed connection and rod-type copper sensor with copper capillary tube (3 m)

	BSP	1/2 / 6	1/2 / 9	1/2 / 12	1/2	3/4	1	1 1/4	1 1/2	2		
	<b>k<sub>vs</sub> value</b>	0.45	0.95	1.7	2.75	5	7.5	12.5	20	30		
<b>Δp<sub>max</sub> for sensor type</b>	2.05	–	–	–	–	–	–	–	–	–		
<b>Fluid: water &lt; 120 °C</b>	4.10	–	–	–	–	–	–	–	21	14		
Type L 2S												

### Double-seated reverse-acting valve with screwed connection and rod-type copper sensor with copper capillary tube (3 m)

	BSP	1/2	3/4	1	1 1/4	1 1/2	2
	<b>k<sub>vs</sub> value</b>	2.75	5	7.5	12.5	20	30
<b>Δp<sub>max</sub> for sensor type</b>	2.05	–	–	–	–	–	–
<b>Fluid: water &lt; 120 °C</b>	4.05	–	–	–	–	–	–
Type L2SR	4.10	–	–	–	–	2.7	1.8

### Double-seated reverse-acting valve with flanged ends and rod-type copper sensor with copper capillary tube (3 m)

	DN mm	20	25	32	40	50	65	80	100	125	150
	<b>k<sub>vs</sub> value</b>	5	7.5	12.5	20	30	50	80	125	215	310
<b>Δp<sub>max</sub> for sensor type</b>	2.05	8.3	8	–	–	–	–	–	–	–	–
<b>Fluid: water &lt; 120 °C</b>	4.05	8.3	8	7	–	–	–	–	–	–	–
Type M2FR, G2FR, H2FR	4.10	–	–	–	6.6	5.3	5.8	6.7	–	–	–
	8.09	–	–	–	–	–	–	–	12.1	–	–
	8.10	–	–	–	–	–	–	–	12.1	9	7.5



Three-way valves available on request.

### GCV Types at a glance

Rangeability	Series K		Series L	
	EN	ASME	EN	ASME
Equal percentage	KE	KEA	LE	LEA
Linear	KL	KLA	LL	LLA
Fast opening (on/off applications)	KF	KFA	LF	LFA

### Valve characteristics

DN	Max. differential pressure $\Delta p$ in bar								
	15	20	25	32	40	50	65	80	100
with pneumatic actuator PN9123E	40	40	39.1	30.7	11.5	7.5	–	–	–
with pneumatic actuator PN9223E	40	40	40	40	40	37.7	–	–	–
with pneumatic actuator PN9233E	–	–	–	–	–	–	20.2	12.4	7.3
with pneumatic actuator PN9337E	–	–	–	–	–	–	40	34.9	21.3
with electric actuator AEL71111JXX	39	29	17	14	4	2	–	–	–
with electric actuator AEL73221JXX	40	40	40	40	29	20	10	6	3
with electric actuator AEL74211JXX	–	–	–	40	40	32	17	10	6
with electric actuator AEL76311JXX	–	–	–	–	–	–	38	24	14
$K_{VS}$ m <sup>3</sup> /h min	0.1	1	1	4	4	4	16	16	36
$K_{VS}$ m <sup>3</sup> /h max	4.9	7.2	11	17.5	31	46	90	115	160

### Dimensions of valve

DN	15	20	25	32	40	50	65	80	100	
<b>Travel in mm</b>	<b>20</b>	<b>20</b>	<b>20</b>	<b>20</b>	<b>20</b>	<b>20</b>	<b>30</b>	<b>30</b>	<b>30</b>	
KE series	A1 mm	130	150	160	180	200	230	290	310	350
	C1 mm	103	103	103	132	132	127	201	201	216
	Weight kg	6	6.8	7	13.5	14	17	35	40	54
KEA series	A1 mm	190	190	197	–	235	267	292	317	368
	C1 mm	102	102	102	127	127	127	200	200	216
	Weight kg	7.3	8.2	9.1	14.1	16.3	17.2	35.4	39	56.2
LEA series	A1 mm	184	184	184	222	222	254	276	298	352
	C1 mm	102	102	102	127	127	127	200	200	216
	Weight kg	7.3	8.2	13.6	13.2	14.1	17.2	35	40	56

### Dimensions of actuator

	Pneumatic actuator				Electric actuator			
	PN9123E	PN9223E	PN9233E	PN9337E	AEL71111JXX	AEL73221JXX	AEL74211JXX	AEL76311JXX
F mm	170	300	300	390	129	173	173	188
G mm	275	300	300	335	292	379	474	527
Weight kg	6	17	17	27	2,1	4,8	8	15

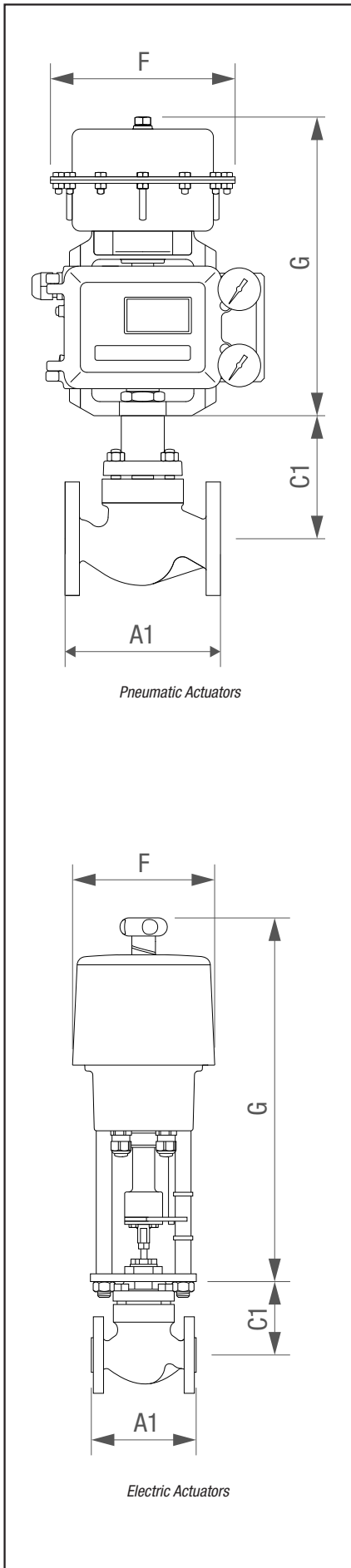
### Optional extras

#### Pneumatic actuators

Elect.-pneumatic positioner SP7  
 Filter/regulator MCP2M (0.7 - 9.0 bar)  
 Limit switch, mechanical  
 Limit switch, inductive  
 Solenoid valve 230 V AC  
 Solenoid valve 115 V AC  
 Solenoid valve 24 V AC  
 Solenoid valve 24 V DC

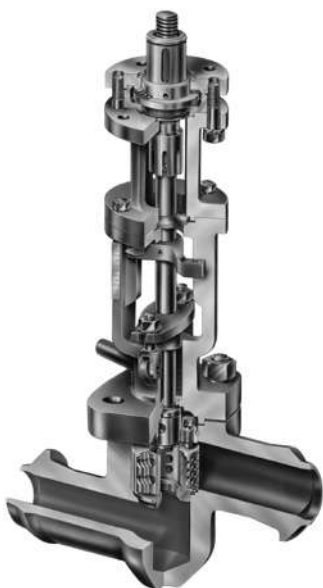
#### Electric actuator

Potentiometer 1 k $\Omega$   
 Limit switch  
 Positioner card for input and output 0/2...10 V, 0 (4)...20 mA (potentiometer required)

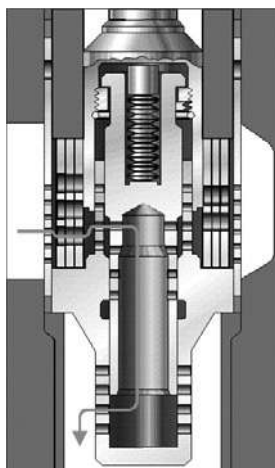


Pneumatic Actuators

Electric Actuators



ZK 29/14 DN 50 with lift restriction (optional extra)



Radial stage nozzle with tandem shut-off  
for ZK 213

### Application

For the decrease of high pressure drops in industrial plants and power stations as:

- Level control valve
- Warm-up valve
- Level control valve
- Injection cooling valve
- Feedwater control valve
- Leak-off valve
- Start-up pot drain valve
- And more applications

### Features

- Extremely wear resistant
- Excellent sealing and control characteristic (EN 12266-1 leakage rate A)
- Variable valve characteristics (linear and equal-percentage)
- Easy assembly and inspection of nozzle insert
- Tandem shut-off for ZK 313 and ZK 213
- Low sound level
- Different actuators available

### Materials

Type	Body <sup>1)</sup>	
ZK 29, DN 25, 50	13 CrMo 4 4	(1.7335) / A182 F12
ZK 29, DN 80, 100, 150	GS-17 CrMo 5 5	(1.7357) / A 217 WC6
ZK 210	13 CrMo 4 4	(1.7335) / A 182 F12
ZK 313	16 Mo 3	(1.5415)
	C 22.8	(1.0460) / A 105
	10 CrMo 9 10	(1.7383) / A182 F22
	X 10 CrMo VNb 9 1	(1.4903) / A182 F91
ZK 213	16 Mo 3	(1.5415)
	WB 36	(1.6368)
ZK 610 / 613	16 Mo 3	(1.5415)
	10 CrMo 9 10	(1.7383)

<sup>1)</sup> Butt-weld ends of other material by welding of pipe ends possible.

### Actuators

Type	ZK 29	ZK 210	ZK 313	ZK 213	ZK 610 ZK 613
Handwheel	●	●	●	–	–
Electric rotary actuator	●	●	●	●	●
Electric linear actuator	●	●	●	●	●
Electro-hydraulic linear actuator	–	–	●	●	●
Pneumatic actuator	●	●	●	●	●
Part-turn actuator	●	–	●	●	●

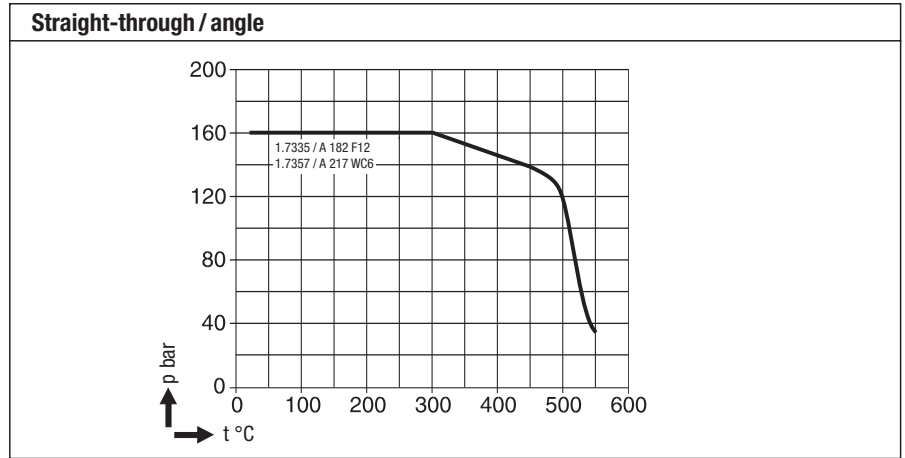
### Controls

Complete PLC-based controls for applications such as injection cooler, leak-off valve etc. designed and manufactured according to customers' specifications.

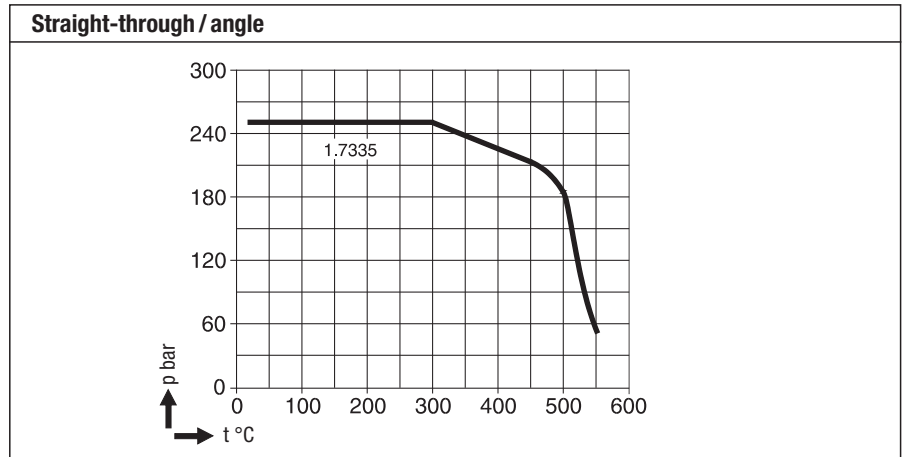
**Technical Data**

$Kv_S$ -values in  $m^3/h$  (linear characteristics), design, pressure/temperature ratings

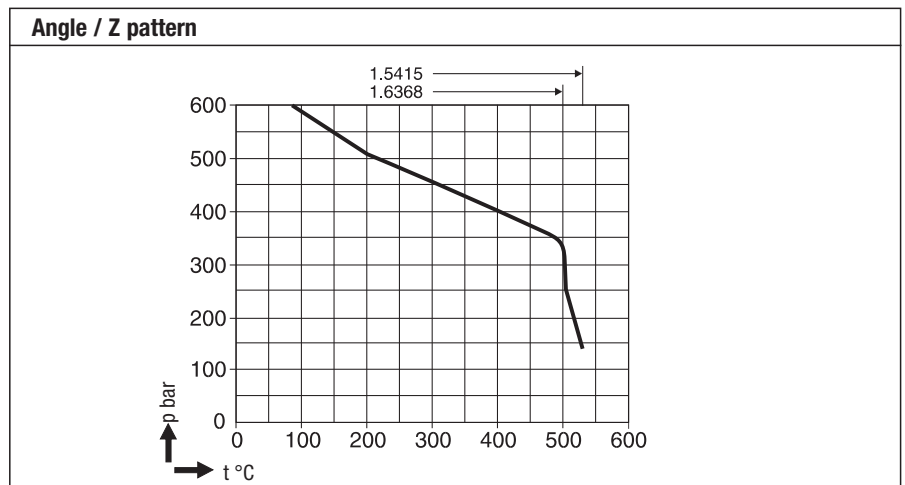
ZK 29				
DN	$\Delta p$ 100 bar			
25	0.7	1.4	2.1	
50	3	6	9	
65				
80	14	21	28	
100	20	33	46	
125				
150	70	100	130	
200				
250				
300				
350				
400				



ZK 210				
DN	$\Delta p$ 100 bar			$\Delta p$ 180 bar
25	0.8	1.5	2.3	0.5
50	3.3	6.5	10	2
65				
80	9.5	18	28	5
100				
125				
150				
200				
250				
300				
350				
400				



ZK 213 sizes 1-5											
DN	$\Delta p$ 300 bar					$\Delta p$ 560 bar					
	Bg.	1	2	3	4	5	1	2	3	4	5
25											
50											
65											
80		20					12				
100		20	40				12	30			
125		20	40	50			12	30	40		
150			40	50	65			30	40	46	
200				50	65	90			40	46	70
250					65	90				46	70
300						90					70
350											
400											



Adaptation of nominal sizes is possible

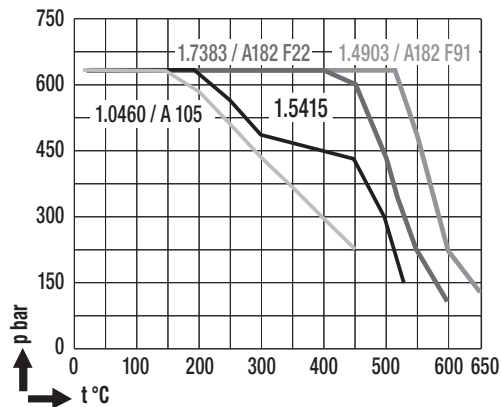
**Technical Data**

$Kv_S$ -values  $m^3/h$  (linear characteristics), design, pressure/temperature ratings

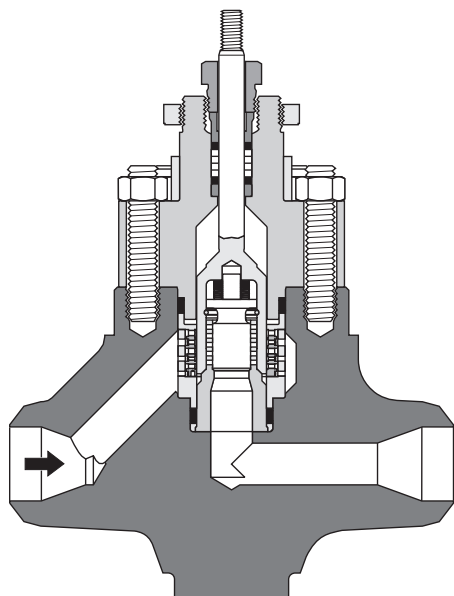
ZK 313										
DN	$\Delta p$ 300 bar								$\Delta p$ 370 bar	
25	1	1.5	2.3	3.6	5.5	8	11	13	4.5	9.5
50	1	1.5	2.3	3.6	5.5	8	11	13	4.5	9.5
65	1	1.5	2.3	3.6	5.5	8	11	13	4.5	9.5
80	1	1.5	2.3	3.6	5.5	11	14.5	17	4.5	9.5
100						11	14.5	17	4.5	9.5
125						11	14.5	17	4.5	9.5
150						11	14.5	17	4.5	9.5
200										
250										
300										
350										
400										

Straight-through / angle DN 25–80

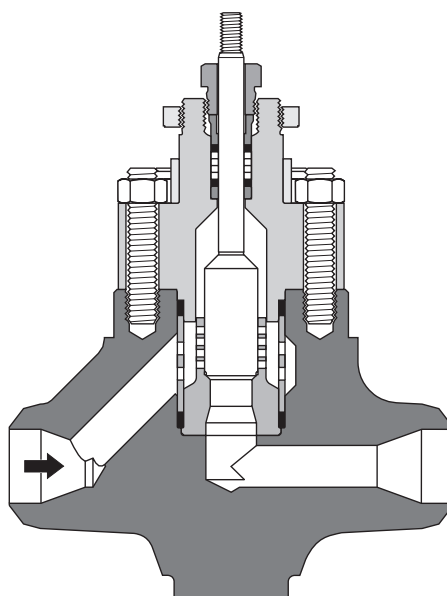
Angle / Z pattern up to DN 80



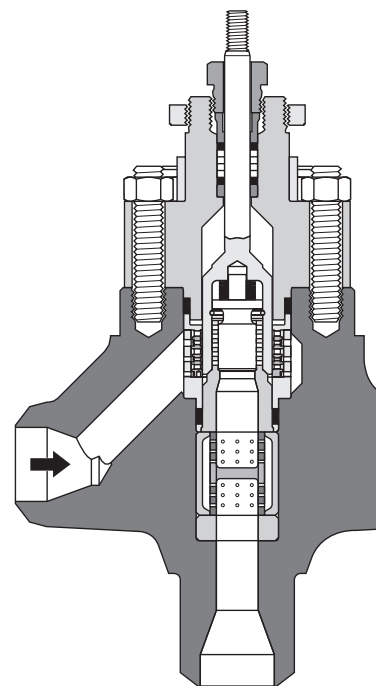
**Throttle variants ZK 313**



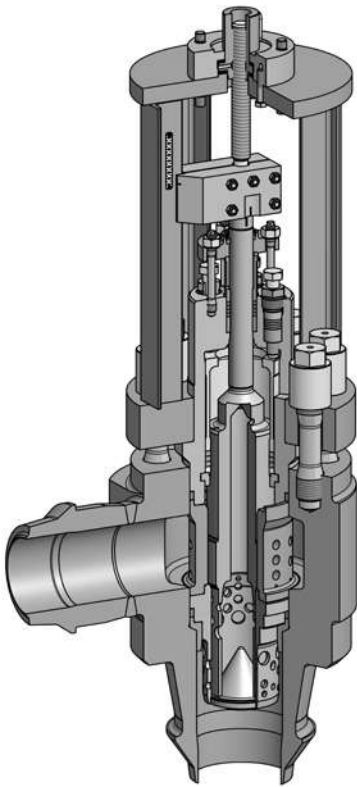
Standard throttle  $\Delta p_{max}$  300 bar



Special throttle  $\Delta p_{max}$  40 bar  
(without tandem seat)



Special throttle  $\Delta p_{max}$  370 bar  
(only angle-type)



3-stage expansion with balanced pressure for ZK 613

### Application

For large flowrates; used as

- Feedwater control valve
- Heating steam valve
- Start-up vessel drain valve

### Features

- Excellent sealing and control characteristics

- Extremely wear resistant
- Valve designed on modular assembly principle
- Low sound level
- Easy assembly and inspection of nozzle insert
- Variable valve characteristics (linear and equal-percentage)
- Kv<sub>s</sub> range from 28 to 969 m<sup>3</sup>/h
- Leakage-free pressure-balanced design

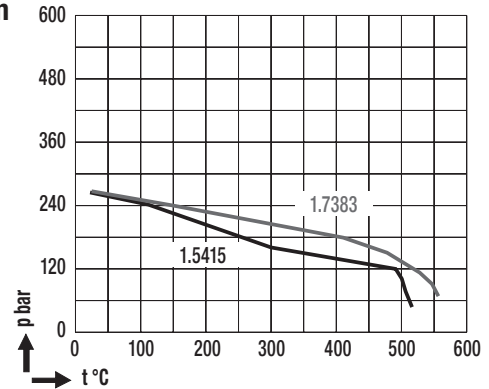
### Technical Data

Max. Kv<sub>s</sub> values in m<sup>3</sup>/h, (linear characteristic), connections, limiting conditions

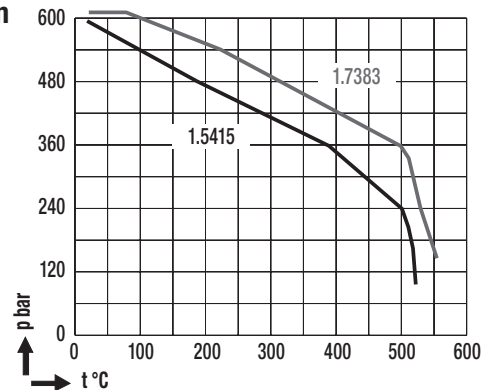
#### ZK 610/ZK 613 Angle / Z pattern

DN \ Δp (bar)	40/50 1-stage	80/100 2-stage	120/150 3-stage
100	44 – 98	38 – 54	33 – 47
125	71 – 154	61 – 85	51 – 74
150	112 – 243	95 – 134	81 – 117
200	177 – 385	150 – 212	128 – 185
250	281 – 611	238 – 336	216 – 294
300	446 – 969	378 – 533	322 – 465

#### ZK 610 Angle / Z pattern



#### ZK 613 Angle / Z pattern



**E-mail: info@ de.gestra.com**

Application \_\_\_\_\_  On / Off  
 Fluid \_\_\_\_\_  Regulation  
 Design pressure in barg \_\_\_\_\_ Design temperature in °C \_\_\_\_\_ PN/CL \_\_\_\_\_

Operating data	Load	1	2	3
Loading Flowrate	m in t/h	_____	_____	_____
	V in m <sup>3</sup> /h	_____	_____	_____
Upstream pressure	p1 in bara	_____	_____	_____
Downstream pressure	p2 in bara	_____	_____	_____
Temperature	t1 in °C	_____	_____	_____

Kvs-value from existing valve \_\_\_\_\_ m<sup>3</sup>/h manufacturer / type \_\_\_\_\_

**Pipeline size** To valve inlet \_\_\_\_\_ Material \_\_\_\_\_  
 To valve outlet \_\_\_\_\_ Material \_\_\_\_\_

**Valve Data**  DIN  ANSI Characteristic  linear  equal-percentage  
 Body  Straight through  Angle  Z-form Material \_\_\_\_\_  
 Inlet \_\_\_\_\_ DN  FL  BW \_\_\_\_\_ x \_\_\_\_\_  SW Material \_\_\_\_\_  
 Outlet \_\_\_\_\_ DN  FL  BW \_\_\_\_\_ x \_\_\_\_\_  SW Material \_\_\_\_\_  
 Material inspection  EN 10204-3.1  EN 10204-3.2  Other \_\_\_\_\_  
 Final inspection  EN 10204-3.1  EN 10204-3.2  Other \_\_\_\_\_

**Actuator data**  Handwheel  Handwheel convertible to electric rotary actuator  
 **Electric rotary actuator** manufacturer / type \_\_\_\_\_  
 Connection  B1-F10 (F14) EN ISO 5210  Other  
 Three phase current  Other: Voltage / Requency \_\_\_\_\_ V / \_\_\_\_\_ Hz: \_\_\_\_\_ Time in sec.  
 Standard: 2 torque-, 2 position switches, 4-20 mA feedback signal  Positioner input signal 4-20 mA

Other \_\_\_\_\_  
 **Pneumatic actuator** Fail safe  Spring to close  Spring to open  
 Air supply \_\_\_\_\_ barg  Handwheel  Positioner 4-20 mA  Other \_\_\_\_\_  
 3/2-way solenoid valve voltage / frequency \_\_\_\_\_ V / \_\_\_\_\_ Hz

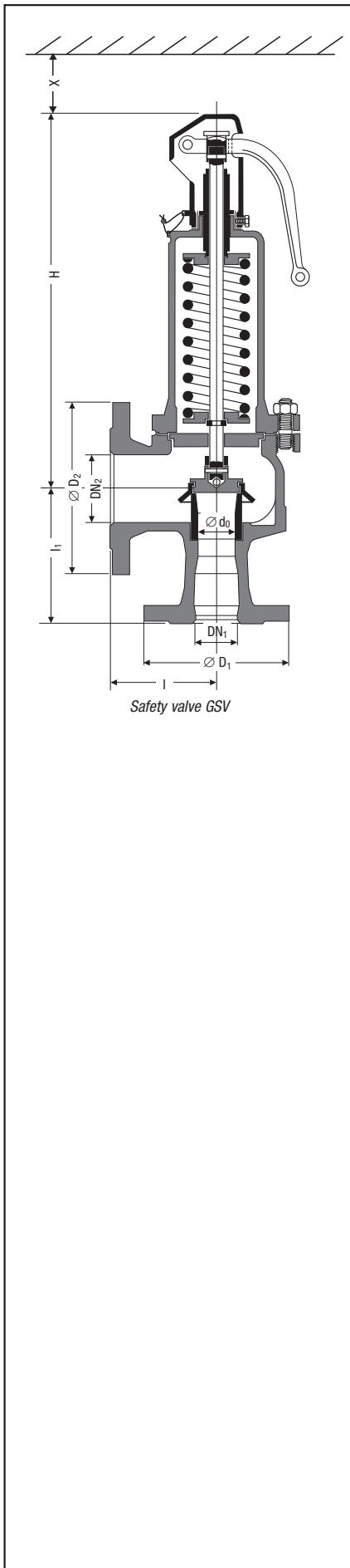
Accessories \_\_\_\_\_

**Your details:**

Company
Name / job title
Telephone
Fax
E-mail
Date

**Electric linear actuator** manufacturer / type \_\_\_\_\_  
 **Other** \_\_\_\_\_

A4-A8



**Application**

For use with steam, liquids, and non-corrosive gases and vapours.

**Dimensions in mm and Weights in kg**

DN <sub>1</sub> x DN <sub>2</sub>	20 x 32/40	25 x 40	32 x 50	40 x 65	50 x 80	65 x 100	80 x 125	100 x 150	125 x 200	150 x 250
d <sub>0</sub>	18	23	29	37	46	60	74	92	98	125
I	95	100	110	115	120	140	160	180	200	225
I <sub>1</sub>	85	105	115	140	150	170	195	220	250	285
H <sup>1)</sup>	215	233	325	366	413	526	603	660	660	735
H <sup>2)</sup>	–	234	331	372	419	529	606	663	663	735
X	150	150	200	250	300	350	400	450	450	450
<b>Weight</b>	9	9	12	16	22	32	56	75	85	131

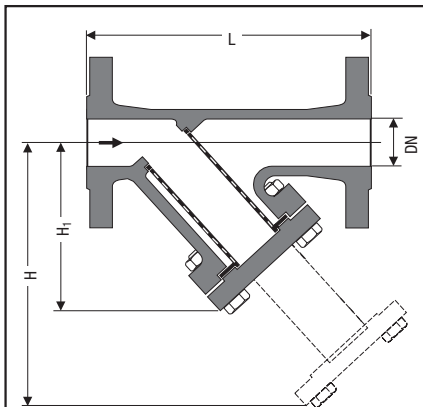
<sup>1)</sup> 4421, 4425, 4422    <sup>2)</sup> 4414

**Discharge Capacities for Saturated Steam in kg/h**

Set pressure bar	DN 20	DN 25	DN 32	DN 40	DN 50	DN 65	DN 80	DN 100	DN 125	DN 150
0.2	86	140	223	363	561	954	1451	2243	2545	4140
0.5	137	224	356	579	895	1523	2316	3581	4062	6609
1.0	199	326	518	843	1302	2215	3370	5209	5910	9616
2.0	318	519	825	1343	2075	3531	5371	8302	9420	15326
3.0	428	699	1111	1808	2794	4754	7232	11178	12683	20635
4.0	534	871	1385	2254	3485	5928	9018	13938	15816	25731
5.0	639	1043	1658	2699	4172	7097	10796	16687	18934	30804
6.0	744	1214	1930	3142	4856	8262	12568	19426	22042	35861
7.0	846	1381	2196	3574	5525	9399	14297	22098	25074	40794
8.0	950	1551	2466	4014	6205	10556	16057	24818	28161	45816
9.0	1054	1721	2736	4454	6884	11712	17815	27535	31244	50831
10.0	1158	1891	3006	4893	7562	12866	19571	30250	34324	55842
12.0	1366	2230	3545	5770	8919	15174	23081	35675	40480	65858
14.0	1569	2562	4073	6629	10247	17433	26518	40987	46507	75664
16.0	1776	2900	4610	7505	11600	19735	30020	46400	52650	85657
18.0	1984	3239	5149	8382	12955	22041	33526	51820	58800	95663
20.0	2191	3578	5688	9260	14312	24350	37039	57249	64960	105685
22.0	2393	3907	6212	10111	15629	26590	40446	62515	70935	115407
24.0	2601	4247	6752	10991	16988	29303	43964	67953	77106	125445
26.0	2810	4588	7294	11873	18351	31222	47491	73405	83292	–
28.0	3019	4930	7837	12757	19718	33547	51029	78873	89496	–
30.0	3229	5272	8382	13644	21089	35880	54577	84358	–	–
32.0	3440	5616	8929	14534	22465	38220	58137	89860	–	–

Calculation according to DIN 3320 and AD Bulletin A2, TRD 421.

For discharge capacities for other set pressure ratings or fluids see data sheet.



Strainer series  
with flanged connections  
GSF 11, PN 6, 5.1301  
GSF 14, PN 16, 5.1301  
GSF 35/36, PN 25/40, GP 240 GH  
GSF 46A, PN 16/40, 1.4408  
GSF 24, PN 16, 5.3103  
GSF 25, PN 25, 5.3103

### Application

In piping systems upstream of equipment that is sensitive to dirt. For liquids, gases, steam and aggressive fluids.

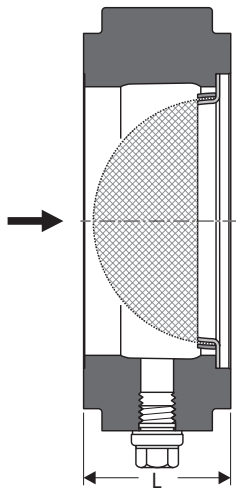
### Dimensions in mm and Weights in kg for Y-Type Strainers with Flanged Connections PN 6 - 40

Nominal size		15	20	25	32	40	50	65	80	100	125	150	200	250	300
<b>Overall length</b>	L	130	150	160	180	200	230	290	310	350	400	480	600	730	850
<b>Overall height</b>	GSF 11, 14 H	135	160	180	215	240	250	285	330	395	455	525	650	870	1110
<b>Overall height</b>	GSF 11, 14 H1	90	100	115	135	150	160	180	215	240	280	330	405	540	680
<b>Overall height</b>	GSF 24, 25 H	115	115	135	135	170	190	220	265	340	410	475	580	680	820
<b>Overall height</b>	GSF 24, 25 H1	75	75	90	90	110	120	140	165	220	260	300	360	470	560
<b>Overall height</b>	GSF 35 H												587	718	829
<b>Overall height</b>	GSF 35 H1												380	445	511
<b>Overall height</b>	GSF 36 H	121	121	145	146	200	201	287	292	335	415	485			
<b>Overall height</b>	GSF 36 H1	88	87	100	101	134	135	191	195	224	268	309			
<b>Overall height</b>	GSF 46A H	155	165	180	195	210	225	250	290	340	430	480	590	750	940
<b>Overall height</b>	GSF 46A H1	100	110	120	125	150	165	185	190	200	280	310	390	455	665
<b>Mesh size</b>	GSF 11, 14 mm	1	1	1	1	1	1	1.25	1.25	1.6	1.6	1.6	1.6	1.6	1.6
<b>Mesh size</b>	GSF 24, 25 mm	1.25	1.25	1.25	1.25	1.25	1.25	2	2	2	2	2	2	2	2
<b>Mesh size</b>	GSF 35 mm												2	2	2
<b>Mesh size</b>	GSF 36 mm	1.25	1.25	1.25	1.25	1.25	1.25	1.25	1.25	1.25	2	2	2	2	2
<b>Mesh size</b>	GSF 46A mm	0.5	0.5	0.5	0.5	0.8	0.8	0.8	0.8	0.8	1.0	1.0	1.0	2.1	2.1
<b>Plug</b>	GSF 11, 14 G	3/8	3/8	3/8	3/8	3/8	3/8	1/2	1/2	1/2	1/2	1/2	1/2	1/2	1/2
<b>Plug</b>	GSF 24, 25 G	1/2	1/2	1/2	1/2	1/2	1/2	1/2	1/2	1	1	1	1	1	1
<b>Plug</b>	GSF 35 G												2	2	2
<b>Plug</b>	GSF 36 G	3/8	3/8	3/8	3/8	1/4	1/4	1/4	1/4	1/2	1/2	1 1/2			
<b>Plug</b>	GSF 46A M	10	10	10	10	12	12	14	14	14	16	16/20 <sup>1)</sup>	18	20	22
<b>Weight</b>	GSF 11 kg	2.5	3	4.5	5.5	7	9	13	19	26	38	54	110		
<b>Weight</b>	GSF 14 kg	3	4	5	7	9	12	16	21	30	43	61	121	154	255
<b>Weight</b>	GSF 24 kg	3.5	4	5.5	7	9	12	16	21	28	41	58	121	154	255
<b>Weight</b>	GSF 25 kg	3.5	4	5.5	7	9	12	16	21	32	47	64	133		
<b>Weight</b>	GSF 35 kg												120.6	184.9	269
<b>Weight</b>	GSF 36 kg	3	3.5	4.4	5.8	8.4	11.2	19.4	21.6	32.4	48.2	70			
<b>Weight PN40</b>	GSF 46A kg	5	6	7.5	9	10.5	14	24	28	43	71	99	148	266	499
<b>Weight PN16</b>	GSF 46A kg							20	24	29	53	75	125	239	408

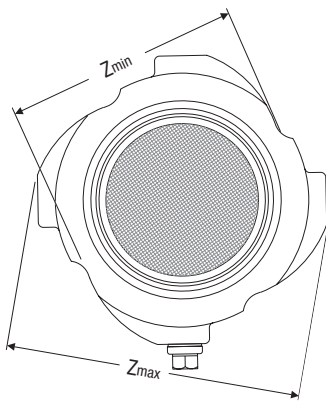
<sup>1)</sup> PN 40: M20

### Application

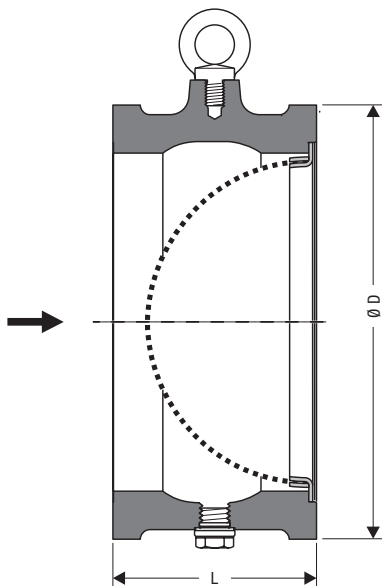
In piping systems upstream of equipment that is sensitive to dirt. For liquids, gases, steam and aggressive fluids.



Wafer-type strainers SZ 36A  
DN 40 – 100 mm



Wafer-type strainers SZ 36A  
DN 40 – 100 mm



Wafer-type strainers SZ 36A  
DN 125 – 200 mm

**Features**

- Cylindrical body with drain plug
- Robust, hemispherical screen
- Body and strainer made from corrosion-resistant stainless steel
- Minimum pressure loss

**Application**

In piping systems upstream of equipment that is sensitive to dirt. For liquids, gases, steam and aggressive fluids.

**Dimensions and Weights for Wafer-Type Strainers**

**Types SZ 36A**

<b>Nominal size</b>	mm	40	50	65	80	100	125	150	200
	Inch	1½	2	2½	3	4	5	6	8
<b>Overall length</b>	L	31,5	40	46	50	60	90	106	140
	mm								
<b>mm</b>	∅ Z <sub>min</sub>	83	96	110	128	151	–	–	–
	∅ Z <sub>max</sub>	104	118	136	158	186	–	–	–
<b>∅ D</b>	Class 125/150	–	–	–	–	–	194	220	275
	PN 10/16	–	–	–	–	–	194	220	275
	PN 25	–	–	–	–	–	194	226	286
	PN 40	–	–	–	–	–	194	226	293
	Class 300	–	–	–	–	–	216	251	308
<b>Weight</b>	kg	1	1.6	2.1	2.9	4.7	10	14	26

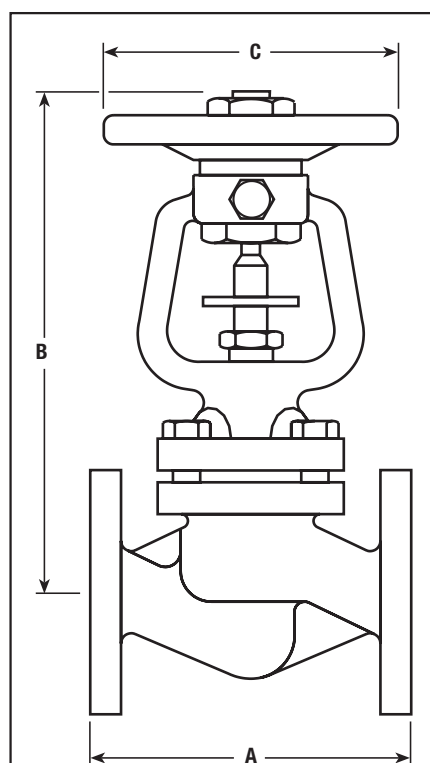
**Pressure/Temperature Ratings \*)**

Type	PN/Class	Material		Pressure / temperature p / T bar / °C		
		EN	ASTM			
<b>SZ 36A</b>	PN 40 / Class 300	1.4408	A351 CF8M	49.6 / –200	35.7 / 200	24.9 / 550

\*) For more detailed pressure/temperature specifications as a function of the end connection refer to the data sheet.

**Design**

DN	40 – 100	125 – 200	optional 40 – 200
	Body with centering cams suitable for sandwiching between flanges PN 6-40 and 100 class 150 / 300. Standard strainer	Cylindrical body Standard strainer	Fine screen
Mesh size	1.25 mm	1.6 mm	0.25 mm



Bellows-sealed stop valve GAV 6xF with safety stuffing box

### Description

Straight-through **bellows-sealed** stop valve with flanges to EN 1092. The valve is designed for shutting off and throttling neutral gases, vapours and liquids in all sectors of industry.

### Material

Type	DN	Pressure rating	EN	ASTM*)
GAV 63F	15 – 200	PN 16, JIS/KS 10K	GJL-250	A48-40B
GAV 64F	15 – 250	PN 16	GJS-400-18-LT	A536-60-40-18
GAV 65F	15 – 250	PN 25	GJS-400-18-LT	A536-60-40-18
GAV 66F	15 – 200	PN 25, PN 40, Class 150, Class 300, JIS/KS 20K	1.0619	A216WCB
GAV 66AF	15 – 100	PN 40	1.4408	A351CF8M

\*) Observe different physical and chemical properties to DIN material.

### Specification

Type	Pressure rating	PMA	TMA
GAV 63F	PN 16	16.0 bar / 120°C	300°C / 9.6 bar
	JIS/KS 10K	14.0 bar / 120°C	220°C / 10.0 bar
GAV 64F	PN 16	16.0 bar / 120°C	350°C / 11.2 bar
GAV 65F	PN 25	25.0 bar / 120°C	350°C / 17.5 bar
GAV 66F	PN 25 <sup>1)</sup>	25.0 bar / 50°C	400°C / 14.8 bar
	PN 40 <sup>2)</sup>	40.0 bar / 50°C	400°C / 23.8 bar
	Class 150	19.6 bar / 38°C	425°C / 5.5 bar
	Class 300	51.1 bar / 38°C	425°C / 28.8 bar
	JIS/KS 20K	34.0 bar / 120°C	425°C / 20.0 bar

<sup>1)</sup> DN 200 <sup>2)</sup> DN 15 – 150

### Dimensions in mm

	DN	15	20	25	32	40	50	65	80	100	125	150	200	250
A	PN	130	150	160	180	200	230	290	310	350	400	480	600	730
	JIS/KS 10K	133	153	163	183	203	229	293	309	349	395	479	592	–
	JIS/KS 20K	152	178	200	–	224	259	–	304	340	–	428	537	–
	Class 150	108	117	127	–	165	203	–	241	292	–	–	–	–
	Class 300	152	178	203	–	229	267	–	317	356	–	445	559	–
B		205	205	217	217	243	243	263	287	383	416	450	622	763
C		125	125	125	125	200	200	200	200	315	315	315	500	500

### Weights in kg

	DN	15	20	25	32	40	50	65	80	100	125	150	200	250
GAV 63F, GAV 64F, GAV 65F		4	4	5	7	10	12	16	21	36	52	75	145	180
GAV 66F	PN	4	5	6	8	11	14	19	26	44	64	88	180	–
GAV 66F	Class 150	5	6	8	–	10	12	–	25	41	–	–	–	–
GAV 66F	Class 300 / JIS/KS 20K	6	7	9	–	11	15	–	29	49	–	94	193	–
GAV 66AF		4	5	6	8	11	14	19	26	44	–	–	–	–

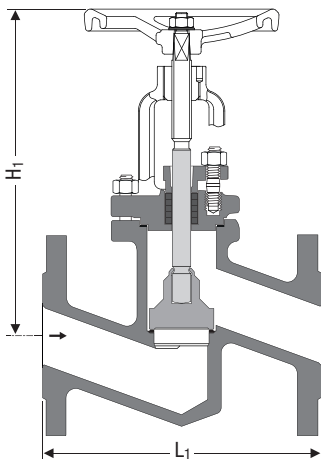
If the following differential pressures are exceeded in valves with standard plug, a pressure balance plug is required.

### Pressure balance plug

	DN	65	80	100	125	150	200	250	300
GAV 63F, GAV 66F	Δp bar	–	–	–	–	–	10	–	6

### Kvs Values m<sup>3</sup>/h of valves with throttling plug

	DN	15	20	25	32	40	50	65	80	100	125	150	200	250
GAV 6xF,		5.4	6.6	11.9	19.6	29.3	47.2	74.6	101.6	186	259	369	522	827



Stuffing-box sealed stop valve GAV...  
In versions with pressure balance plug,  
the flow direction is opposite to the illustration.

### Description

Straight-through **stuffing-box sealed** stop valve with flanges to EN 1092 or butt-weld ends (BW) to EN 12627. The valve is designed for shutting off and throttling neutral gases, vapours and liquids in all sectors of industry.

### Material

Type	DN	PN	EN	ASTM*)
GAV 126	50 – 200	63	GP240GH+N	A216WCB
GAV 130	50 – 200	100	GP240GH+N	A216WCB
GAV 136	15 – 25	160	P250GH	A105
GAV 136	32 – 200	160	GP240GH+N	A216WCB
GAV 136SE	15 – 50	160	16MO3	A182F1
GAV 136SE	65 – 200	160	GP240GH+N	A216WCB

#### Up to 550 °C

GAV 126	50 – 200	63	G17CrMo5-5	A217WC6
GAV 130	50 – 200	100	G17CrMo5-5	A217WC6
GAV 136	15 – 25	160	13CrMo4-5	A182F11
GAV 136	50 – 200	160	G17CrMo5-5	A217WC6
GAV 136SE	15 – 50	160	13CrMo4-5	A182F11
GAV 136SE	65 – 200	160	G17CrMo5-5	A217WC6

\*) ASTM nearest equivalent is stated for guidance only. Physical and chemical properties comply with EN.

### Specification

Type	PN	Material	Service pressure p / Inlet temperature T (barg/°C)						
			20	300	400	450	500	530	550
GAV 126	63	GP240GH+N	63	44	38	21	–	–	–
GAV 130	100	GP240GH+N	100	69	60	33	–	–	–
GAV 136, GAV 136SE	160	P250GH / GP240GH+N	160	110	95	53	–	–	–
GAV 136SE	160	16MO3	160	137	120	110	71	36	–
GAV 126	63	G17Cro5-5	63	63	57	53	41	23	15
GAV 130	100	G17Cro5-5	100	100	90	84	65	37	23
GAV 136, GAV 136SE	160	13CrMo4-5 / G17Cro5-5	160	160	144	135	104	59	37

### Dimensions in mm

PN 63 – 160 flanged ends	DN	15	20	25	32	40	50	65	80	100	125	150	200
Overall length	L <sub>1</sub>	210	230	230	260	260	300	340	380	430	500	550	650
GAV 126, GAV 130, GAV 136	H <sub>1</sub>	230	230	230	310	310	315	415	500	550	620	625	855
PN 63 – 160 butt-weld ends	DN	15	20	25	32	40	50	65	80	100	125	150	200
Overall length	L <sub>1</sub>	150	150	160	180	210	250	420	460	510	600	650	750
GAV 136SE	H <sub>1</sub>	230	230	230	310	310	315	415	500	550	620	625	855

### Weights in kg

PN 63 – 160 flanged ends	DN	15	20	25	32	40	50	65	80	100	125	150	200
GAV 126		–	–	–	–	–	25	40	55	85	125	150	260
GAV 130		–	–	–	–	–	26	45	58	88	135	170	285
GAV 136		9.5	11	12.5	16.5	20.5	26	45	60	90	135	175	320
PN 63 – 160 butt-weld ends	DN	15	20	25	32	40	50	65	80	100	125	150	200
GAV 136SE		6.5	7.5	8.5	11	13.5	17	30	45	72	110	165	215

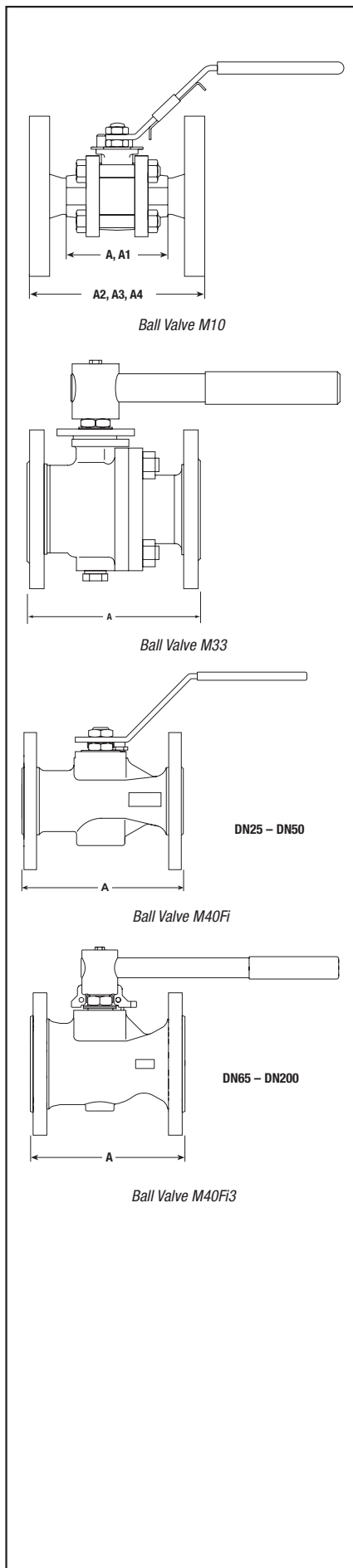
If the following differential pressures are exceeded in valves with standard plug, a pressure balance plug is required. From size DN 125 with balance plug fitted as standard.

### Pressure balance plug

	DN	65	80	100	125	150	200
GAV 126, GAV 130, GAV 136, GAV 136SE	Δp bar	110	70	44	33	21	14

### K<sub>vs</sub> Values m<sup>3</sup>/h

	DN	15	20	25	32	40	50	65	80	100	125	150	200
GAV 126, GAV 130, GAV 136	PN 63, 100, 160	2.7	4	5	16	17	26	50	80	125	200	280	580



### Description

GBV ball valves have been designed for use as an isolating valves and can be used with the majority of industrial fluids for services ranging from vacuum to higher temperatures and pressures.

### Materials

Type	DN	Pressure rating	EN*)	ASTM
M10S2	8 – 65	PN 100	1.0460 galvanised	A105 galvanised
M10S4	8 – 65	PN 100	1.4404	A 182 F 316L
M10Vi2	8 – 65	PN 100	1.0460 galvanised	A105 galvanised
M10Vi3	8 – 65	PN 100	1.4404	A 182 F 316L
M33F3	50 – 200	Class 300	1.4408	A351CF8M
M40Fi3	25 – 200	Class 300	1.4408	A351CF8M

\*) ASTM nearest equivalent is stated for guidance. Physical and chemical properties comply with EN.

### Pressure / temperature limits

Type	Pressure rating	PMA <sup>1)</sup>	TMA <sup>1)</sup>
M10S2, M10S4	PN 100	100 bar / 60°C	260°C / 0 bar
M10Vi2, M10Vi3	PN 100	70 bar / 40°C	260°C / 0 bar
M33F3, M40Fi3	Class 300	51 bar / 38°C	260°C / 0 bar

<sup>1)</sup> Note that the type of end connection may reduce the temperature/pressure limit.

### Dimensions in mm

Type	Bore	DN	8	10	15	20	25	32	40	50	65	80	100	150	200	
M10S	reduced	Screwed Butt-weld (A)	63	63	63	68	86	97	106	124	152	-	-	-	-	-
		Socket-weld (A1)	60	63	51	59	84	93	102	118	152	-	-	-	-	-
		Class 150 (A2)	-	-	108	117	127	140	165	178	-	-	-	-	-	-
		PN 40 (A3)	-	-	130	150	160	180	200	230	-	-	-	-	-	-
		Class 300 (A4)	-	-	140	152	165	178	190	216	241	-	-	-	-	-
M10Vi	reduced	Screwed Butt-weld (A)	66	66	66	72	87	104	110	125	153	-	-	-	-	-
		Socket-weld (A1)	63	63	66	60	84	94	102	118	152	-	-	-	-	-
		Class 150 (A2)	-	-	108	117	127	140	165	178	-	-	-	-	-	-
		PN 40 (A3)	-	-	130	150	160	180	200	230	-	-	-	-	-	-
		Class 300 (A4)	-	-	140	152	165	178	190	216	241	-	-	-	-	-
M10Vi	full	Screwed Socket-weld (A)	66	66	66	72	87	104	110	125	153	-	-	-	-	-
		Socket-weld (A1)	63	63	64	84	98	106	124	152	-	-	-	-	-	-
		Class 150 (A2)	-	-	117.4	136.4	155	163.6	183.2	215.2	-	-	-	-	-	-
		PN 40 (A3)	-	-	130	150	160	180	200	230	-	-	-	-	-	-
		Class 300 (A4)	-	-	140	152	165	178	190	216	-	-	-	-	-	-
M33F3	full	Class 150 (A)	-	-	-	-	-	-	-	178	190	203	229	394	457	
		Class 300 (A)	-	-	-	-	-	-	-	-	216	241	283	305	403	502
M40Fi3	reduced	Class 150 (A)	-	-	-	-	127	140	165	178	190	203	229	267	292	
		Class 300 (A)	-	-	-	-	165	178	190	216	241	283	305	403	419	

### Weights in kg

Type	Bore	DN	8	10	15	20	25	32	40	50	65	80	100	150	200		
M10S	red.	Screwed, butt-weld, socket-weld	0.61	0.61	0.61	0.7	1.27	1.77	2.5	3.5	6.9	-	-	-	-	-	
		PN 40	-	-	2.2	2.9	3.9	5.4	6.5	8.8	-	-	-	-	-	-	
		Class 150	-	-	1.65	2.2	3.38	4.44	5.84	8.99	-	-	-	-	-	-	
		Class 300	-	-	2.2	2.9	4.5	7	8.36	11.2	17.5	-	-	-	-	-	
M10Vi	red.	Screwed, butt-weld, socket-weld	0.65	0.65	0.72	0.95	1.6	2.05	2.75	4.25	7.5	-	-	-	-	-	
		PN 40	-	-	2.3	3.2	4.2	5.7	6.8	9.5	-	-	-	-	-	-	
		Class 150	-	-	1.77	2.35	3.47	4.47	5.96	9.16	-	-	-	-	-	-	
		Class 300	-	-	1.7	2.28	2.91	4.15	5.88	8.12	15.85	-	-	-	-	-	
	full	Screwed, butt-weld, socket-weld	0.65	0.72	0.95	1.6	2.05	2.75	4.25	7.5	-	-	-	-	-	-	
M33F3	full	Class 150	-	-	-	-	-	-	-	10.8	16.2	20	35.3	80.2	140		
		Class 300	-	-	-	-	-	-	-	-	14.8	22.8	30	50	111.2	185.3	
		M40Fi3	red.	Class 150	-	-	-	-	2.9	3.8	5.4	7.9	12	15.8	24.8	43.8	82.5
				Class 300	-	-	-	-	4.5	5.7	8.2	10.3	16	22.3	36.1	66.6	117.5

### Kvs Values in m³/h

	DN	8	10	15	20	25	32	40	50	65	80	100	150	200
M10S2 / M10S4 reduced		2,5	6,8	6	10	27	49	70	103	168	-	-	-	-
M10Vi2 / M10Vi3 reduced		2,5	6,8	6	10	27	49	70	103	168	-	-	-	-
M10 Vi2 / M10 Vi3 full		-	-	17	36	58	89	153	205	-	-	-	-	-
M33 F3 full		-	-	-	-	-	-	-	300	430	750	1030	2410	4800
M40 Fi3 reduced		-	-	-	-	30	40	81	103	197	248	581	735	1600

# Introducing the GESTRA GAV 6

The high integrity A3S bellows sealed valve is suitable for use under higher pressure steam, gas, and liquid applications as it is designed to ASME Class 300.

## Key features and benefits

- › Bellows sealed design eliminates emissions for improved energy efficiency
- › Fully compliant with the European Pressure Equipment Directive 2014/68/EU
- › Maintenance free giving long life and low cost of ownership
- › Unaffected by vibration and will operate over a wide range of pressures and temperatures



As Europe's largest provider of boiler equipment, GESTRA meets all the needs of today's market: a broad spectrum of products, faster time-to-market for new products, more performance for less money and customized solutions and services. This unique market position is based on extensive experience acquired over more than 50 years in the design and manufacture of high-quality safety-oriented control equipment. To compete in a truly global market, GESTRA is continuing to consolidate the domestic market and, simultaneously, stepping up its efforts to deepen international activities outside Europe in order to optimize and extend its network of sales and marketing organizations all over the world. GESTRA technology is tailored to your needs, offering you the right solution – be it conventional or bus-based – for your land or marine applications. Hight-tech for enhanced safety and reliability!

## Industrial Electronics



	<b>Page</b>
Overview .....	94
The benefits of SPECTOR <i>connect</i> .....	95
SPECTOR <i>smart</i> .....	95
GESTRA Steam boiler equipment with CONNECT technology .....	96
The benefits of SPECTOR <i>module</i> / SPECTOR <i>module</i> Touch.....	97
GESTRA Steam boiler installation SPECTOR <i>module</i> .....	98
GESTRA Condensate monitoring.....	99
How to read type codes .....	100 – 101
GESTRA Boiler equipment .....	102 – 103
Type approval nos. at a glance.....	104
Equipment for steam & hot water boilers .....	105
Level control, monitoring and limitation.....	106
Basics of SPECTOR <i>connect</i> .....	107
Level limitation (low and high level alarms) SPECTOR <i>connect</i> .....	110 – 111
Level control SPECTOR <i>connect</i> .....	112 – 113
Control & visual display system SPECTOR <i>control</i> .....	114 – 115
Basics of SPECTOR <i>module</i> .....	117
Self-monitoring low/high-level alarms SPECTOR <i>module</i> .....	118 – 119
High level limiters SPECTOR <i>module</i> .....	120 – 121
Modulating level control SPECTOR <i>module</i> .....	122 – 123
Level control SPECTOR <i>compact</i> .....	124 – 125
Accessories for liquid-level alarms fitted in external level control pots .....	126 – 127
Level control for very high pressure/temperature ranges.....	128
Level electrodes and controls for marine applications .....	129 – 130

Safety, reliability, availability and economy have always enjoyed top priority in boiler operation. To an increasing extent, another aspect is being added for the plant operators: process automation and visualization.

To meet these stringent requirements, GESTRA AG has been working exclusively with electrode systems that are low in maintenance and wear; in contrast to other systems, they function entirely without moving parts, which leads to high service lifetimes and very low failure rates.

By now, these GESTRA electrode systems are being applied in many different areas of the energy supply centre. In addition to the boiler equipment itself, these units are also used in condensate tanks, pump-driven return installations, steam regenerators etc. With a low response sensitivity of  $> 0.5 \mu\text{S}/\text{cm}$ , even operation with demineralization equipment does not pose a problem. In general, the entire energy supply centre is only as effective as its weakest element. Many plant operators, designers and manufacturers are therefore no longer prepared to enter into any compromises in this area.

**Nothing is as cost-intensive as a production outage.**

Over and above these aspects, the requirements for the equipment of an energy supply centre tend to differ greatly. The requirements can no longer be met with one and the same system, as was perhaps the case only 10 to 15 years ago. The wishes expressed by the customers have always been the driving force behind GESTRA's innovative developments, and this is still the case today.

**There is no longer a "one size fits all" system for customer requirements!**

Another step forward was taken for the GESTRA equipment components through the introduction of the SPECTOR family, which focuses on meeting the customer's specific needs. The family now consists of *SPECTORcompact*, *SPECTORconnect*, *SPECTORmodule (-Touch)* and *SPECTORsmart*.

**SPECTORcompact**

*SPECTORcompact* comprises systems that facilitate the easy replacement of existing self-acting systems. Measurement values are transferred as standard 4–20 mA signals or can be incorporated into existing controllers via integrated volt-free relay contacts without any need for additional electronic control units. If necessary, controllers are of course also available for implementing the entire controlled systems.

**SPECTORmodule**

The *SPECTORmodule* line represents a systematic advancement of the proven GESTRA technology. Using the most modern electronic components and constituting the state of the art, these systems were designed with a focus on ease of handling, reducing the installation expense, and providing cost-effective solutions.

New units were developed as demand-oriented solutions for boiler automation. The scope of the parameterization was limited to the most essential functions to ensure intuitive operating of the controllers.

Depending on the task at hand, the customer can choose between the system variants *SPECTORmodule* and *SPECTORmodule Touch*.

*SPECTORmodule* concentrates on the key functions, and the parameters are set by means of a rotary pushbutton.

**SPECTORmodule Touch**

The *SPECTORmodule Touch* version focuses on the essentials: the main functions and a clear, intuitive user interface.

With this series, the controller was separated from the operating unit, which means that the laborious wiring for sensors, feedback, limits, valve actuation etc in the control cabinet door is no longer required.

Universal controllers generally entail a large number of parameter settings, making the operating workflow and the setting of parameters more difficult.

In the development of the *SPECTORmodule Touch* series, clear and easily understandable operating was a top priority.

Thanks to the intuitive user interface, the operator can enter the parameters rapidly and reliably. The colour touch display leads directly to the parameterization level. A virtual numerical keypad is shown, so that values can be changed or functions selected.

Care was taken to ensure that the various controllers always have the same clear, uniform operating structure.

To give customers and plant operators greater convenience, we design our systems with a focus on

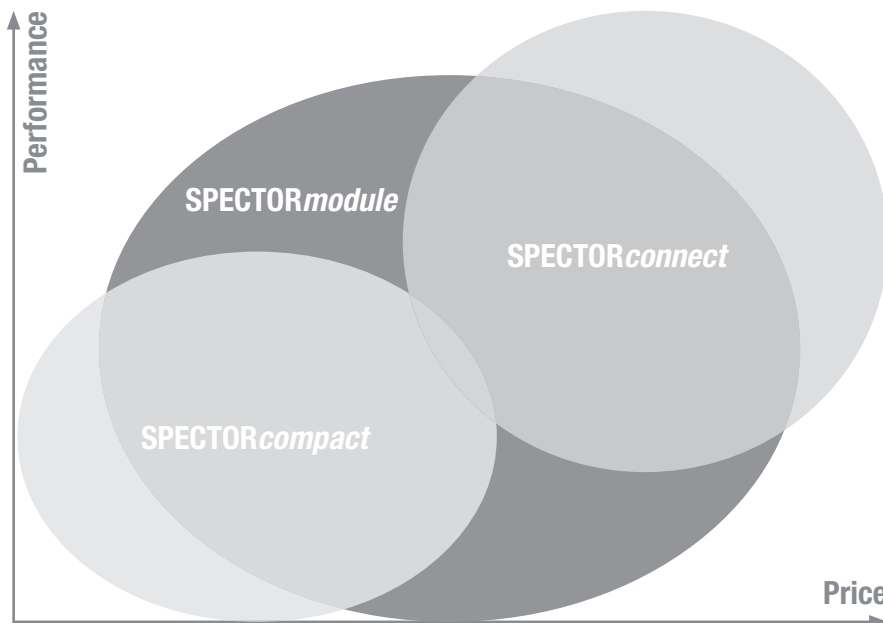
- optimized system interfaces
- minimized maintenance

**SPECTORconnect**

*SPECTORconnect* offers easy integration into automation concepts by means of remote data transmission and parameter setting.

Thanks to many technical innovations, the design, erection and commissioning of plants is simplified considerably. A tried and tested system that meets the requirements made on boiler equipment today and in the future. Now, with *SPECTORconnect*, a large amount of process-relevant data can be transmitted for the first time. Further information is given in the separate brochure "Equipment for Energy Supply Centres – *SPECTORconnect*"

**GESTRA – always the right solution!**



## SPECTORconnect

### More safety, more efficiency, more steam

### Intelligent, global monitoring

An extensive and adjustable data connection enables global system monitoring. Clear graphics, historic data and alarms provide clear information about the steam generation process.

### Always state of the art

SPECTORconnect satisfies the requirements of the latest standards for safe steam boiler operation.

### One unit, several functions

All the important functions necessary for efficient system operation have been integrated in a single unit, saving installation time and cutting costs.

### Reliable service interval monitoring

The plant operator is informed when components require a service or the system is outside its normal operating range.

### Constantly low energy consumption, reduced process costs

Temperature-compensated measurement and control of conductivity in the steam drum itself reduces the blowdown volume to an absolute minimum.

## Market and usage

The SPECTORconnect system is used in steam and hot water boiler systems to EN 12952 and EN 12953.

Development has consistently focused on safety, enabling a SIL 2/3 rating to be achieved for conductivity limiting as well.

The URB 60 display unit functions as a data interface and supports various data protocols.

The pressure and temperature ratings are up to 183 bar and 357 °C.

## Less is more!

From little acorns big oaks grow. With SPECTORconnect by GESTRA, a new era has begun in the measurement and control of boiler systems:

- Less cabling  
(preconfigured cable connection)
- Less installation work
- Less space needed in control cabinets
- Fewer control units
- Less wear and tear
- Less maintenance
- Fewer production outages
- Lower costs
- More control
- Better process overview
- Higher availability

## Benefits at a glance

### 1. No risk of overheating:

- Patented thermal barrier in cylindrical body above electrode flange
- Electronic temperature protection in the terminal box
- Patented connection arrangement
- Minimization of thermal effects

### 2. Easy installation and maintenance:

- Freely accessible connecting terminals at the control units
- Large terminal box makes for easy installation

### 3. Increased safety:

- Active cable monitoring with more than twice the previous maximum cable length
- Easy to integrate into visual display and automation systems

## SPECTORsmart

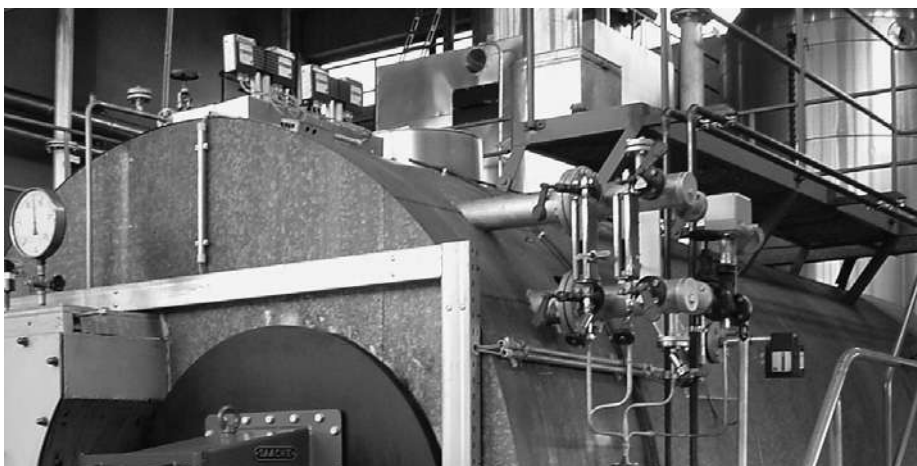
### Keep your plant up and running

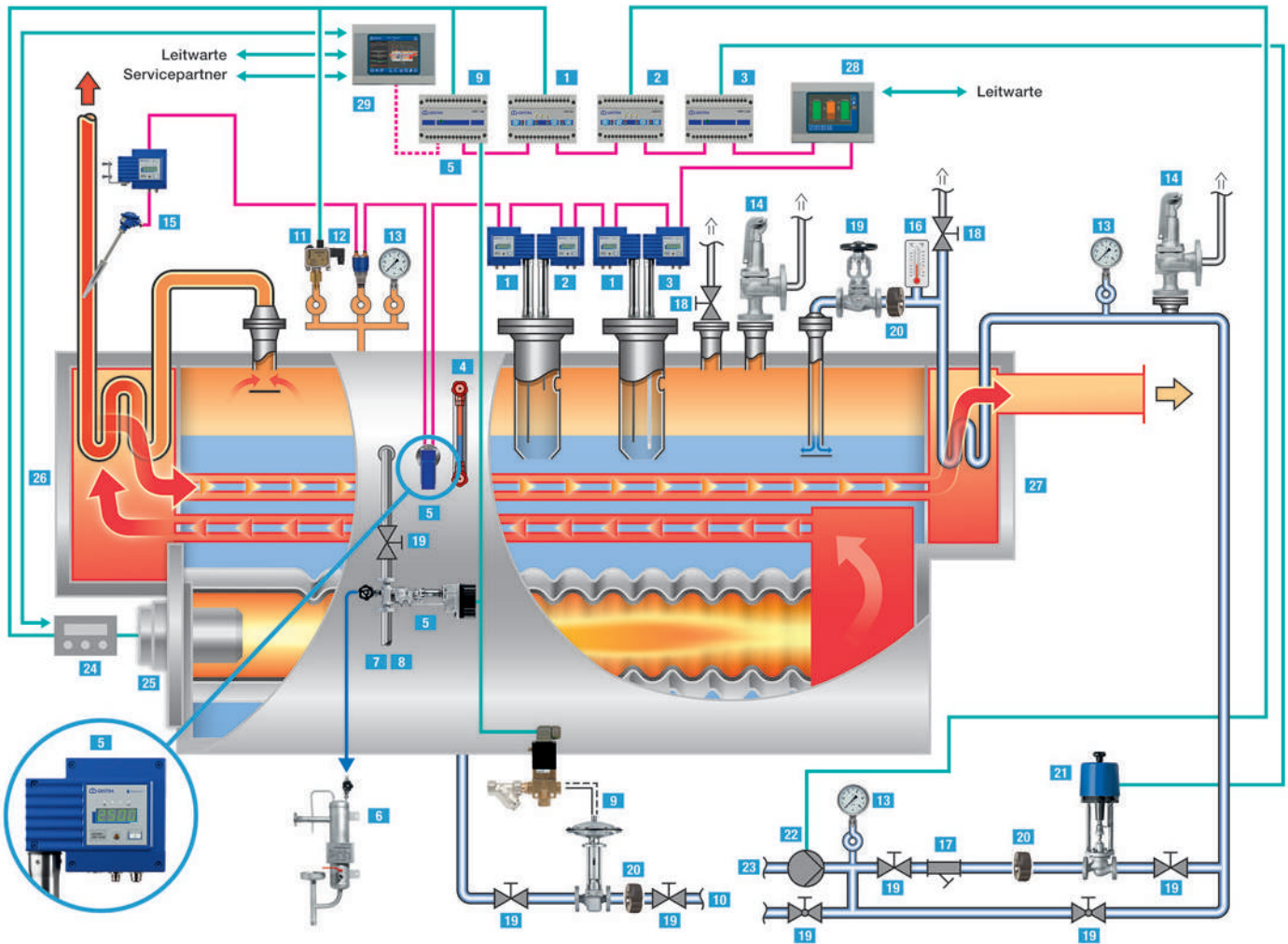
The SPECTORconnect system keeps the steam boiler running reliably. However, unforeseen events can happen at any time and impact the boiler system. The SPECTORsmart provides a detailed overview of your plant, and displays all the events detected by sensors. This way, alarms can be triggered immediately for the relevant area, enabling targeted intervention. The days of time-consuming fault localisation are past! What's more, the system can let you know when maintenance is due, reducing the likelihood of sudden failure.

### Improve efficiency and sustainability

The industry has committed to continually reducing emissions. We help you play your part.

With SPECTORsmart, steam production is constantly monitored and readings logged. Set parameters are optimised to enhance boiler efficiency. This means lower fuel consumption and therefore better CO<sub>2</sub> figures. The results have a positive effect on your sustainability targets!





**SPECTORconnect Steam Boiler Equipment acc. to EN 12953 (72 h)**

- |  |   |   |
|--|---|---|
| <p><b>1</b> “SMART” water level limiting system: level electrode with periodic self-testing NRG16-60, level switch URS 60</p> <p><b>2</b> “SMART” high level limiting system with periodic self-testing: level electrode NRG 16-61, level switch URS 61</p> <p><b>3</b> Continuous water level control system: level electrode NRG 26-60, level controller NRR 2-60</p> <p><b>4</b> Direct water level indicator</p> <p><b>5</b> Conductivity control / continuous and intermittent boiler blowdown: conductivity electrode LRG 16-61, continuous blowdown controller LRR 1-60, continuous blowdown valve BAE 46</p> <p><b>6</b> Sample cooler PK for safe and precise manual sampling</p> <p><b>7</b> Flash vessel for heat recovery</p> <p><b>8</b> Blowdown cooler for heat recovery</p> <p><b>9</b> Intermittent blowdown valve MPA, three-way pilot valve</p> | <p><b>10</b> Blowdown receiver</p> <p><b>11</b> Pressure limiter</p> <p><b>12</b> Pressure controller/transmitter</p> <p><b>13</b> Pressure gauge</p> <p><b>14</b> Safety valve</p> <p><b>15</b> Safety temperature limiter for superheater, resistance thermometer TRG 5-65, temperature transmitter TRV 5-60</p> <p><b>16</b> Thermometer</p> <p><b>17</b> Strainer GSF</p> <p><b>18</b> Vent valve</p> <p><b>19</b> Shut-off and bypass valve GAV</p> <p><b>20</b> Non-return valve RK 86</p> <p><b>21</b> Electrically/pneumatically operated control valve GCV</p> <p><b>22</b> Feedwater pump</p> | <p><b>23</b> Make-up water monitoring: full demineralization via conductivity monitoring LRG 16-9/LRS 1-7, partly demineralization via monitoring residual hardness</p> <p><b>24</b> Burner control with MODbus RTU interface</p> <p><b>25</b> Burner</p> <p><b>26</b> Superheater</p> <p><b>27</b> Economiser</p> <p><b>28</b> Operating unit URB 60</p> <p><b>29</b> SPECTORcontrol is a universal controller and operating unit for process data acquisition (with CAN, MODbus, Ethernet, OPC and optional Profibus interface) and can be used instead of URB 60</p> |
|--|---|---|

## SPECTOR*module*

- Compact design reduces installation work
- Easily accessible connection terminals
- Supply voltage 24 VDC, i. e. independent of national supply voltages
- Features specific to your application enable rapid start-up
- Easy operation via rotary knob/pushbutton ensures fast setup and installation
- A 7-segment numeric display provides information on the latest readings and messages

## SPECTOR*module* Touch

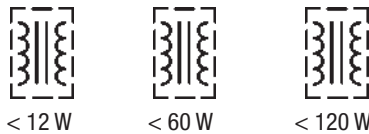
- Separation of power components and operating level, i. e. no elaborate wiring needed in the control cabinet door.
- Use of a colour touch display for intuitive, clear operating that is language-neutral
  - Level:**
    - ▶ Intuitive operating through touch display incl. visualization of the actual, set and control values
    - ▶ Trend line for identifying potential optimisation measures
    - ▶ PI control response
      - Optional: ◆ 3-element control
    - ▶ Actual-value output 4–20 mA
  - Conductivity:**
    - ▶ Intuitive operating through touch display incl. visualization of the actual, set and control values
    - ▶ Type approval as per “WÜ 100” (VdTÜV bulletin on water monitoring facilities)
    - ▶ Integrated flushing pulse for reducing manual maintenance
    - ▶ Integrated, program-controlled intermittent blowdown means no separate module is required for actuating the blowdown valve
    - ▶ Interlocking input to prevent simultaneous operation of two or more intermittent blowdown valves at one blowdown receiver

### The 24 VDC version offers the following advantages:

- Standard DC supply network for sensors and electronic control units, dispensing with the need for additional wiring
- Enhanced EMC properties for lower sensitivity to interference and therefore improved availability
- Independence from different national mains voltages

Only 230 VAC available as the supply voltage? No problem, we have tailor-made power supply units to bridge the gap.

### Total power consumption of connected equipment

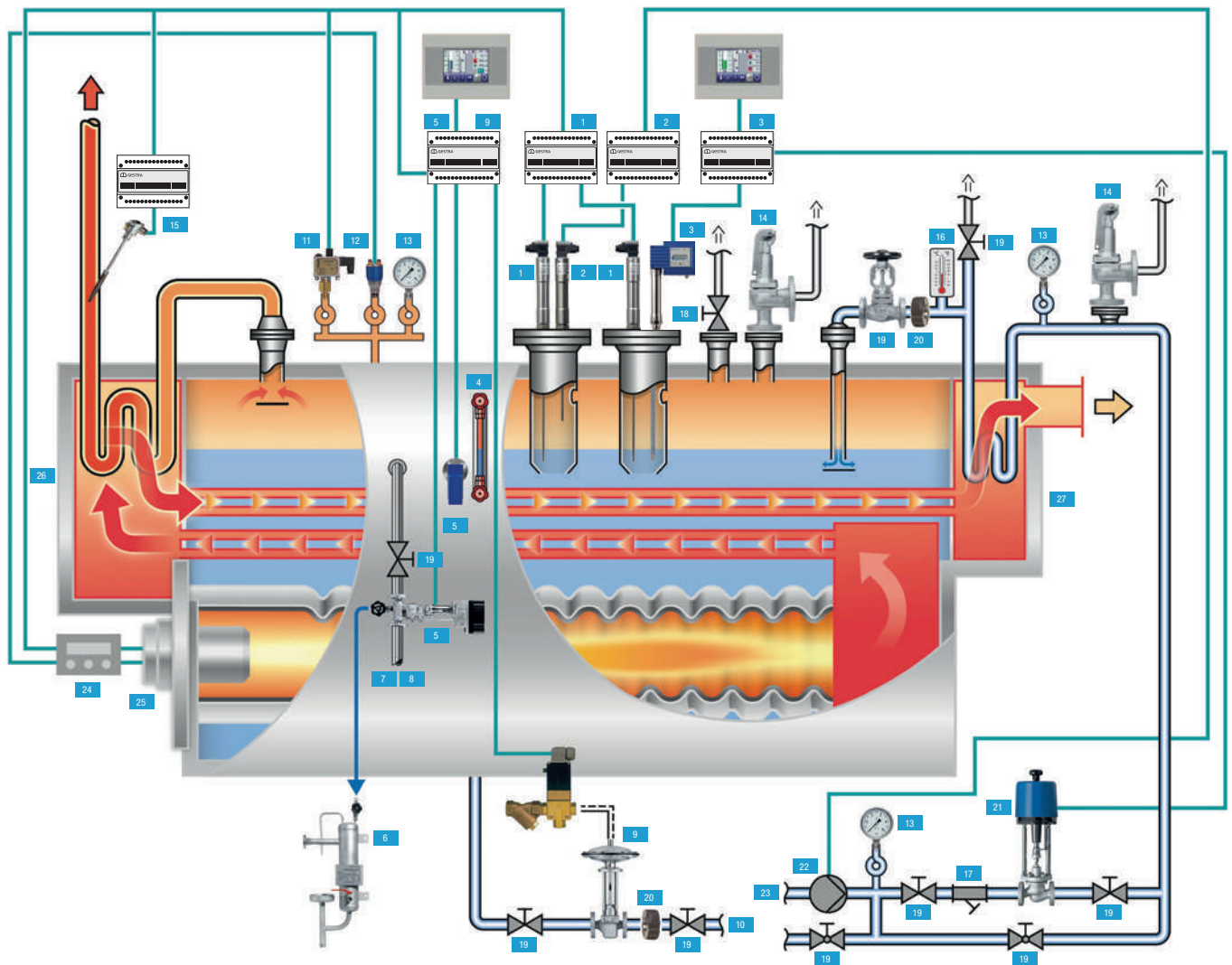


The total power output of the connected equipment determines which power supply unit is used and/or whether the existing 24 V DC supply system can accept the additional load.

The 24 V DC versions of the sensing units LRGT and NRGT have established themselves and facilitate a standardized voltage supply arrangement.

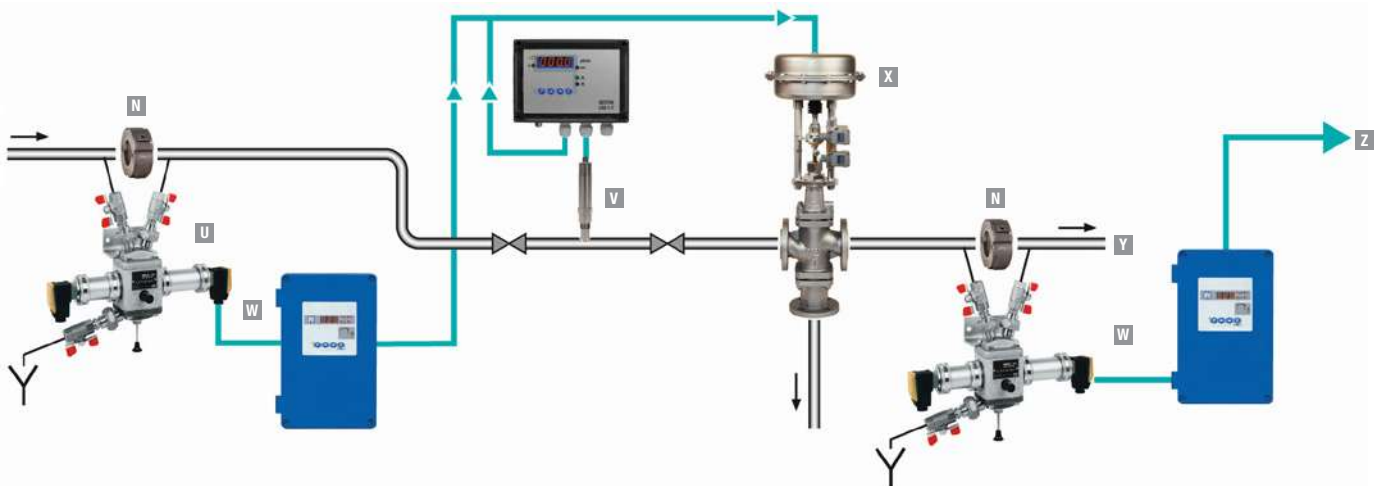
### Sample calculation for a 24 V power supply unit:

Unit	Power	Qty	Total consumption
NRS 1-50, 1E/2E	7 W	1	7 W
NRS 1-51	7 W	1	7 W
NRGT 26-2	7 W	1	7 W
NRR 2-52 with	5 W	1	5 W
URB 55	8 W	1	8 W
LRGT 16-3	7 W	1	7 W
LRR 1-52 with	5 W	1	5 W
			Sum 46 W



## SPECTOR*module* Steam Boiler Equipment

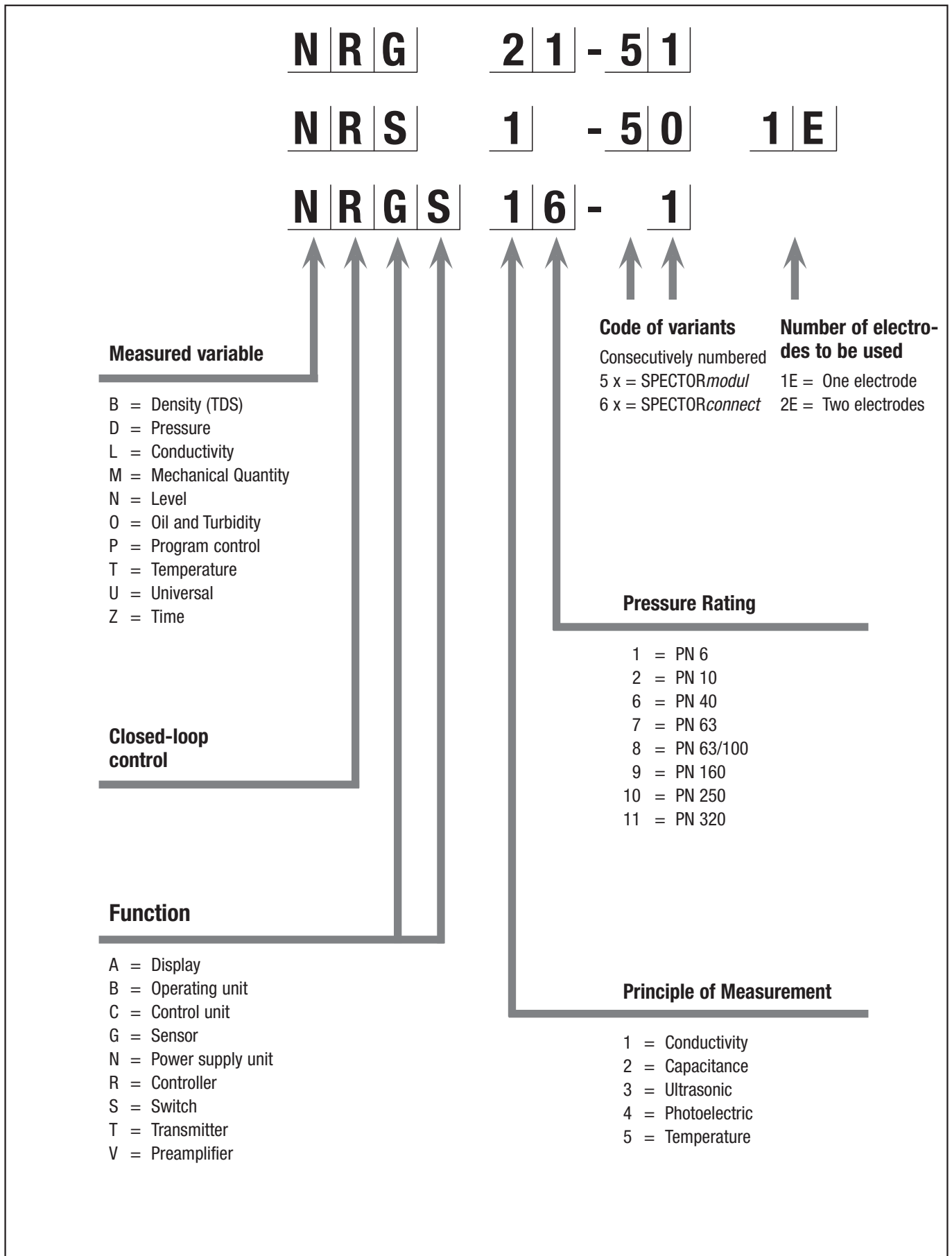
- |  |  |  |
|--|--|--|
| 1 "SMART" level electrode NRG 16-50 for low-water level limiting, level switch NRS 1-50, <b>SIL 3</b>  | 7 Flash vessel   | 17 Strainer  |
| 2 Separate "SMART" level electrode NRG 16-51 for high level alarm, level switch NRS 1-51, <b>SIL 3</b>   | 8 Blowdown cooler  | 18 Vent valve  |
| 3 Water level control with high level alarm, remote indication of water level: level electrode NRG 26-21, level controller NRR 2-52 and control valve GCV  | 9 Automatic intermittent blowdown: intermittent blowdown valve MPA, pilot valve                              | 19 Shut-off valve and bypass valve                       |
| 4 Direct water level indicator   | 10 Blowdown receiver   | 20 Non-return valve                                      |
| 5 Conductivity control & indication, conductivity limit switch and continuous blowdown control: conductivity electrode LRGT 16-4, continuous blowdown controller LRR 1-53, continuous blowdown valve BAE | 11 Pressure limiter DSF  | 21 Electrically/pneumatically operated control valve GCV |
| 6 Sample cooler  | 12 Pressure transducer DRT   | 22 Feedwater pump  |
|  | 13 Pressure indication   | 23 Feedwater/condensate monitoring                       |
|  | 14 Safety valve GSV  | 24 Burner control  |
|  | 15 Safety temperature monitor/limiter, resistance thermometer TRG, temperature switch TRS 5-50, <b>SIL 3</b> | 25 Burner  |
|  | 16 Thermometer   | 26 Superheater   |
|  |  | 27 Economiser  |



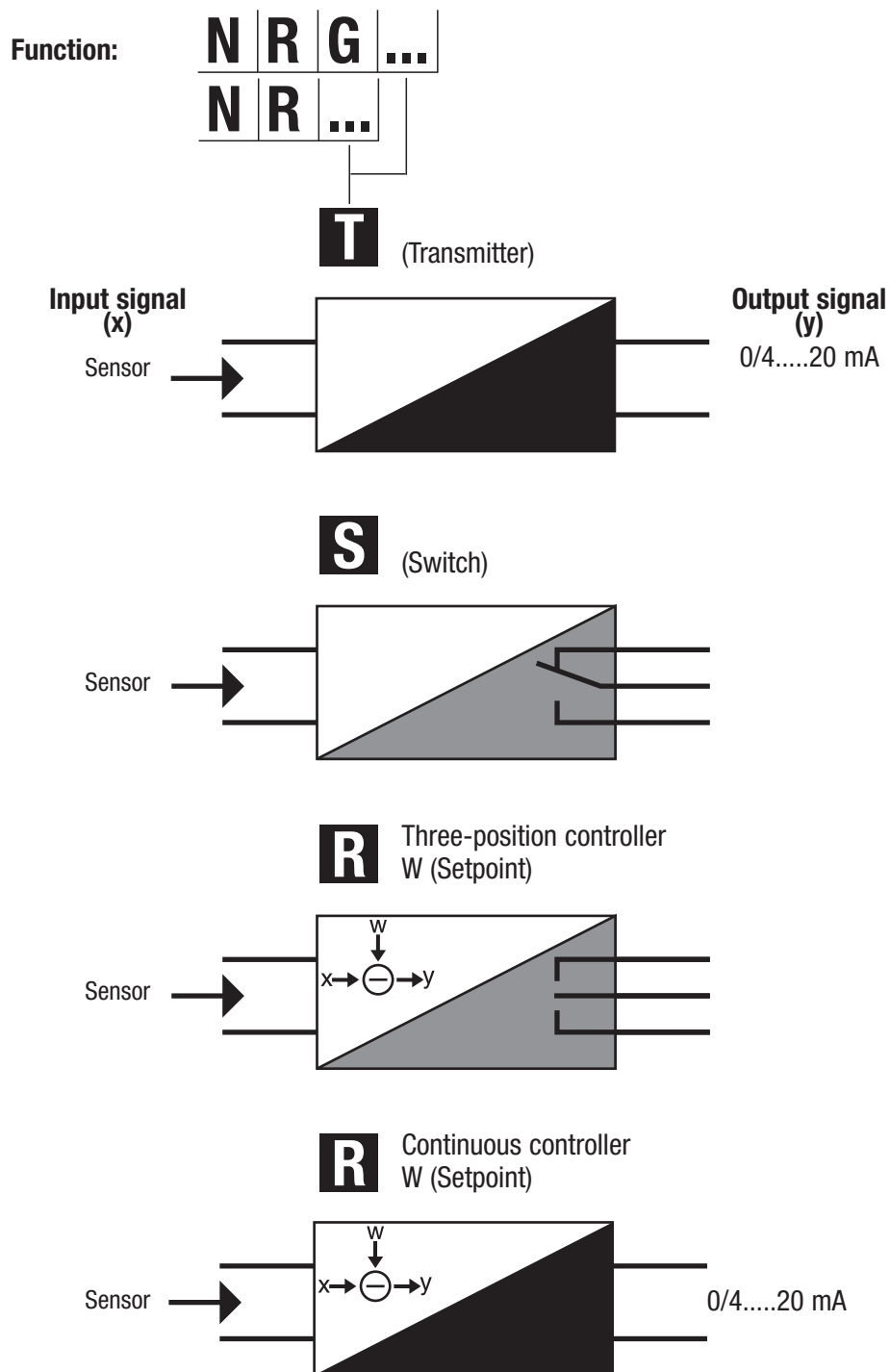
## Steam and Condensate System

- N** Non-return valve RK 86 with special spring 20 mbar
  
- V** Contamination detectors (ingress of acids, alkalis, etc.):  
Conductivity electrode LRG 16-9,  
Conductivity switch LRS 1-7a
  
- W** Monitoring for the ingress of foreign substances such as oil,  
grease etc.: Oil and turbidity detector OR 52/5
  
- X** Pneumatic three-way control valve  
for the discharge of contaminated condensate
  
- Y** Condensate receiver tank
  
- Z** Safety circuit

## Type Designations for Boiler Controls

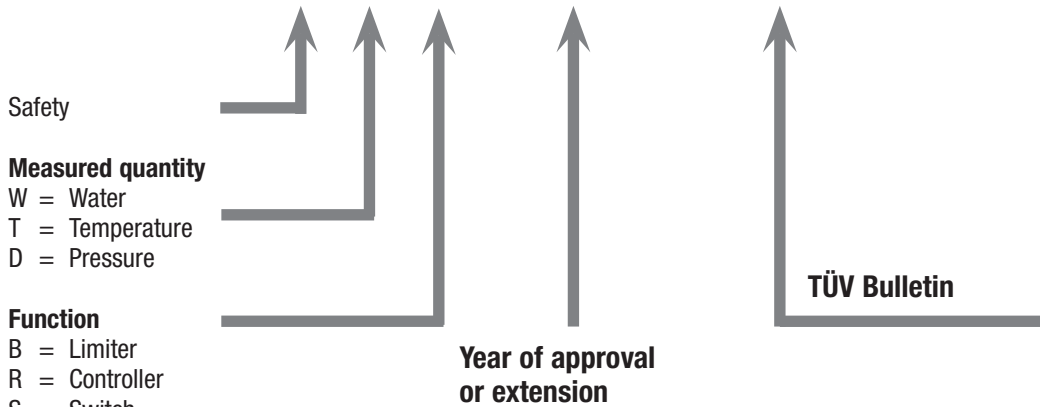


### Type Designations for Boiler Controls



### TÜV Type Approval Number Code

**T Ü V** | **S W B** | **0 2** | **4 0 3**



Safety

**Measured quantity**

W = Water

T = Temperature

D = Pressure

**Function**

B = Limiter

R = Controller

S = Switch

W = Detector

WÜL = Water monitoring for conductivity (acids, alkalis, raw water etc.)

WÜF = Water monitoring for ingress of foreign matter (oils, fats, grease, etc.)

**Year of approval  
or extension**

**TÜV Bulletin**

### Type Examination Certificate

Function	Equipment	Type Approval Number
Water level controller with high level alarm	<b>NRGT 26-2S</b> Compact system with continuous level monitoring/ Current output 4-20 mA On-off control <b>NRS 2-51</b> Continuous control <b>NRR 2-50</b>	DNV LR ABS RINA
“SMART” water level limiter (“high integrity design”) with periodic self-testing routine (loss of redundancy)	<b>NRG 16-50S</b> <b>NRS 1-50, 1E, 15 sec.</b> In addition with positive-action safety relay and certified to SIL 3	DNV LR BV ABS
Combination electrode Water level controller Output 4-20 mA with 1 “SMART” water level limiter with periodic self-testing routine (loss of redundancy)	<b>NRG 16-38S</b> <b>NRS 1-50, 1E, 15 sec.</b> In addition with positive-action safety relay and certified to SIL 3	DNV LR BV ABS
Combination electrode Water level controller Output 4-20 mA with 2 “SMART” water level limiters with periodic self-testing routine (loss of redundancy)	<b>NRG 16-39S</b> <b>NRS 1-50, 1E, 15 sec.</b> In addition with positive-action safety relay and certified to SIL 3	
Conductivity monitoring with automatic temperature compensation – feedwater –	<b>LRGT 16-3</b> <b>LRG 16-9</b> <b>LRS 1-7</b>	DNV DNV
Cooling water monitoring – closed cycle –	<b>ORGS</b> Compact system	DNV LR BV

### Classification societies for marine applications

- LR Lloyd's Register
- ABS American Bureau of Shipping
- KR Korean Register of Shipping
- BV Bureau Veritas
- DNV Det Norske veritas

Function	Required	Recommended	Section	Equipment type	Type approval no.
		SPECTOR...			
Water level limiters, two	yes	<i>connect</i>	HPSB 4.3 5.6.1	NRG 1.-60 / URS 60 “SMART” equipment (“high integrity design”) with periodic self-testing routine (loss of redundancy, relay contacts)	Type approved according to PED TÜV SWB xx-430 SIL 3
		<i>module</i>	HPHWI 6.5.1	NRG 1.-50 / NRS 1-50 “SMART” equipment (“high integrity design”) with periodic self-testing routine (loss of redundancy) and positive-action safety relay	Type examination to PED TÜV SWB xx-422 SIL 3
Water level limiter / High level alarm in BUS system	yes	<i>connect</i>	HPSB 4.3 5.6.1 5.5.2	NRG 16-60 / URS 60 NRG 16-61 / URS 61 “SMART” equipment (“high integrity design”) with periodic self-testing routine (loss of redundancy, relay contacts)	Type approved according to PED TÜV SWB/HWS xx-430 SIL 3
Water level limiter / High level alarm / Temperature limiter in BUS system	yes	<i>connect</i>	HPSB 4.3 5.6.1 5.5.2 5.6.3	NRG 1.-60 / NRG 1.-61 / URS60 / URS61 TRG 5-6. / TRV 5-60 / LRG 16-60 “SMART” equipment (“high integrity design”) with periodic self-testing routine (loss of redundancy, relay contacts)	Water level (conductive): Type approved according to PED Temperature: Type approved according to PED Conductivity: Type approved according to PED TÜV SWB/HWS/STW(STB)/SWÜL xx-430 / SIL 2/3
Water level limiter with closed loop control and high level alarm	yes	<i>module</i>	HPSB 4.3 5.6.1 5.5.1 5.5.2	NRG 16-36 / NRS 1-50 / NRS 1-54 “SMART” limiter (“high integrity design”) with periodic self-testing routine (loss of redundancy) and positive-action safety relay	Type examination to PED TÜV SWB xx-422 TÜV WR/WB xx-424 (controller)
On-off water level limiter with high level alarm	yes	<i>compact</i>	HPSB 5.5.1	NRGS 16-1 On-off control	TÜV WR xx-388
		<i>module</i>	5.5.2	NRG 16-52 / NRS 1-52 / NRS 1-53 / NRS 1-54 / NRS 1-55 / NRS 1-56 Fixed switchpoints	TÜV WR/WB xx-424
		<i>module</i>		NRG. 26-2 / NRS 2-50 / NRS 2-51 Variable switchpoints	TÜV WR xx-425
Continuous water level limiter with high level alarm	yes	<i>compact</i>	HPSB 5.5.1	NRGT 26-2 with continuous monitoring Current output 4...20 mA	TÜV WRS xx-432 K
		<i>connect</i>	5.5.2	NRG 26-60 / NRR 2-60 / NRR2-61 / URB 60	TÜV WR xx-431
		<i>module</i>		NRG. 26-2 / NRS 2-50 / NRS 2-51 / NRR 2-50 / NRR 2-51	TÜV WR xx-425
				NRG. 26-2 / NRR 2-52 / NRR 2-53	TÜV WR xx-427
Separate high level alarm		<i>module</i>	Not required acc. to EN. Required for installations to TRD 72h	NRG 1.-51 / NRS 1-51 “SMART” equipment (“high integrity design”) with periodic self-testing routine (loss of redundancy) and positive-action safety relay	Type examination to PED TÜV SHWS xx-423 SIL 3
				NRG 16-4 / NRS 1-52 “Conventional design”	TÜV WR/WB xx-424
Safety temperature limiter	yes	<i>module</i>	HPHWI 6.5.2.3	TRG 5-6. / TRS 5-50 “SMART” equipment (“high integrity design”) with periodic self-testing routine (loss of redundancy) and positive-action safety relay	Type approved according to PED DIN CERTO STW/STB 1230 SIL 3

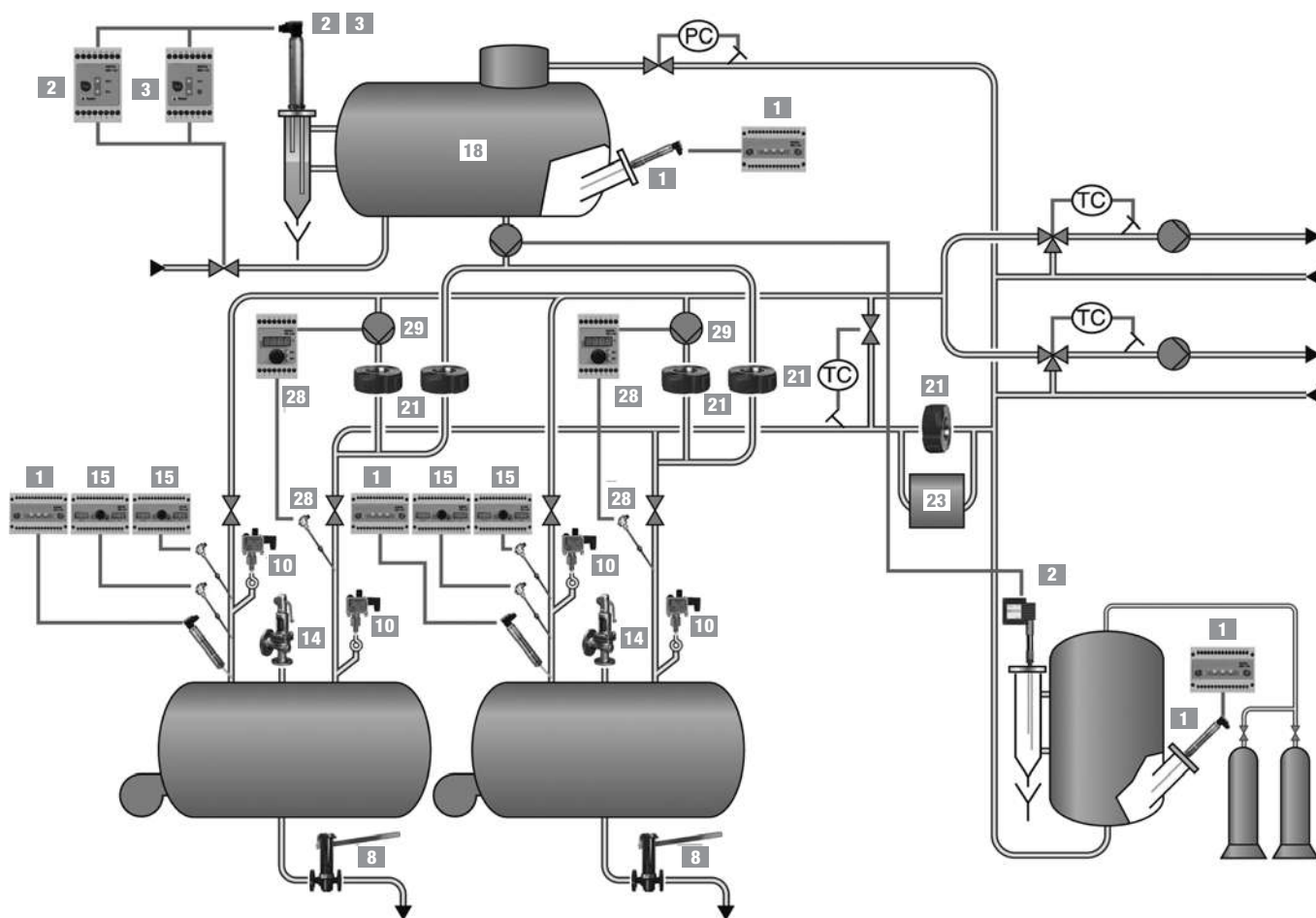
HDD = High-pressure steam boiler, HDHW = High-pressure hot water installation

Function	Required	Recommended	Section	Equipment type	Type approval no.
		SPECTOR...			
Raising the return temperature	yes	<i>connect</i>	HPHWI 6.1.4 6.5.2.3	TRG5-6. / TRV 5-60 / URS60 / URB 60	Type approved according to PED TÜV STW(STB) xx-430
Safety pressure limiter	yes		HPSB 4.3 5.6.2  HPHWI 6.5.2.1	DSF ..F 001 "SMART" equipment	www.tuev.com 000006024
Conductivity limit detector for boiler water *)	yes	<i>module</i>	HPSB 4.8.1	LRG 16-4 / LRS 1-50 LRG 16-9	Type approved according to PED TÜV WÜL xx-018
				LRG 16-4 / LRG 16-9 / LRG 1.-. / LRR 1-50 / LRR 1-51 / LRR 1-52 / LRR 1-53	TÜV WÜL xx-017 Type approved according to PED
		<i>connect</i>		LRG 1.-. / URS 6. / URB 60	Type approved according to PED TÜV SWÜL xx-430
Automatic continuous boiler blowdown with limit signaling *)	yes	<i>connect</i>	HPSB 4.8.1	LRG 16-60 / LRG 16-61 / LRR 1-60 / URB 60 / LRG 17-60 / SPECTOR <i>control</i>	TÜV WÜL xx-020
		<i>module</i>		LRG 16-4 / TRG 5-6. / LRR 1-52 LRGT 1.-. / LRR 1-53	Type approved according to PED TÜV WÜL xx-017
				LRG 16-4 / TRG 5-6. / LRR 1-50 LRGT 1.-. / LRR 1-51	Type approved according to PED TÜV WÜL xx-017
Automatic intermittent boiler blowdown	yes	<i>compact</i>	HPSB 4.6	TA 10 / TA 50	
		<i>connect</i>		LRR 1-60	
		<i>module</i>		LRR 1-52 / LRR 1-53	
Conductivity limit detector for salt-free make-up water *)		<i>module</i>	HPSB 4.8.4	LRG 16-4 / LRG 16-9 / LRS 1-50 / LRG 16-9 / LRS 1-7	TÜV WÜL xx-018 TÜV WÜL xx-014
Detecting residual hardness of saline feedwater *)			HPHWI 4.8.4		
Condensate monitoring for ingress of oil, fat, grease, acids, alkalis etc.	yes	<i>module</i>	HPSB 4.8.2	OR 52-5 / OR 52-6 LRG 16-9 / LRS 1-7 LRG 16-4 / LRS 1-50	TÜV WÜF xx-009 TÜV WÜL xx-014 TÜV WÜL xx-018
			HPHWI 4.8.3		

\*) Limits and reference values acc. to EN 12952-12 and EN 12953-10

HPSB = High-pressure steam boiler

HPHWI = High-pressure hot water installation



Item	Function	Measuring point	EN 12953
1	"SMART" Low level limiter ("high integrity design") level electrode NRG 16-50, level switch NRS 1-50, SIL 3	LSZA-	●
2, 3	Water level control with high level alarm, remote water level indication, level electrode NRG 16-52, level controller NRS 1-54, NRS 1-52 (HW)	LICSA+	●
8	Intermittent blowdown valve PA for manual boiler blowdown	QC	●
10	Pressure limiter DSH (+), DSL (-)	PSZA+ (-)	●
14	Safety valve GSV	PSV	
15	Safety temperature monitor / (limiter) Resistance thermometer TRG, temperature switch TRS 5-50, SIL 3	TSZA+	●
18	Feedwater tank		
21	Non-return valve		
23	Monitoring of condensate return	QISZA+	●
28	Raising of return temperature, resistance thermometer TRG, temperature switch TRS 5-52	TC-	●
29	Mixing pump		

## Principles of Measurement

### Conductivity measurement

The water level is detected between the electrode tips and the vessel wall (or reference electrode) and evaluated for control or limitation purposes. In this case it is essential that the medium is electrically conductive.

The high-integrity self-monitoring design of the level alarms ensures constant supervision of the insulating seal and electrode entry, immediately recognizing malfunctions in the system and failure of the electrode or supply cables. In addition, the equipment features periodic self-checking of the electronic control unit and the corresponding output contacts. Boilers of group IV require "SMART" (self-monitoring and routine testing) equipment.

Before installation, the length of the conductivity electrode rods must be cut to the required switching levels.

### Capacitance measurement

Electrode rod and vessel wall (or reference electrode) form a capacitor; air and the fluid to be controlled act as dielectric. Due to the different dielectric constants of air and boiler water the capacitance value between the electrode and the vessel wall changes concurrently with level changes.

The switchpoints can be continuously adjusted during operation and multiplied by connecting in parallel several electronic control units.

## Types of Controls

### Water level limiters

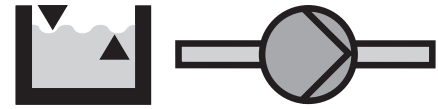
(High-level/low-level alarms)

As soon as the water level exceeds or falls below the adjusted switchpoints the burner protection circuit is interrupted (low level) or the feed pump is switched off (high level).



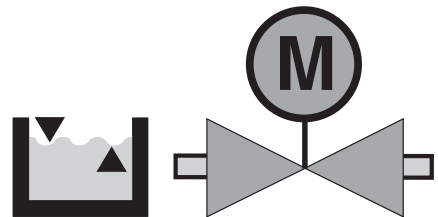
### On-off level control

The water level is controlled between two fixed or adjustable switchpoints. The signals are directly transmitted to the feed pump or valve.



### Modulating level control

The water level is continuously monitored and the actual value is compared with the adjusted set point by the associated controller. If a deviation between the two values is detected, a signal will be sent to the control valve to re-adjust the flowrate accordingly, thereby enabling a more economic and efficient steam plant operation.



## Field Bus System

### Digital Data Exchange

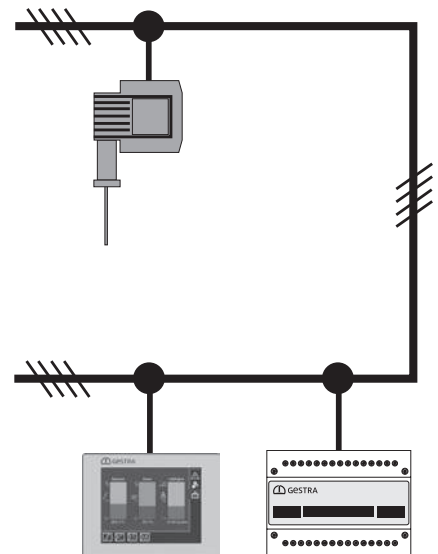
#### SPECTORconnect

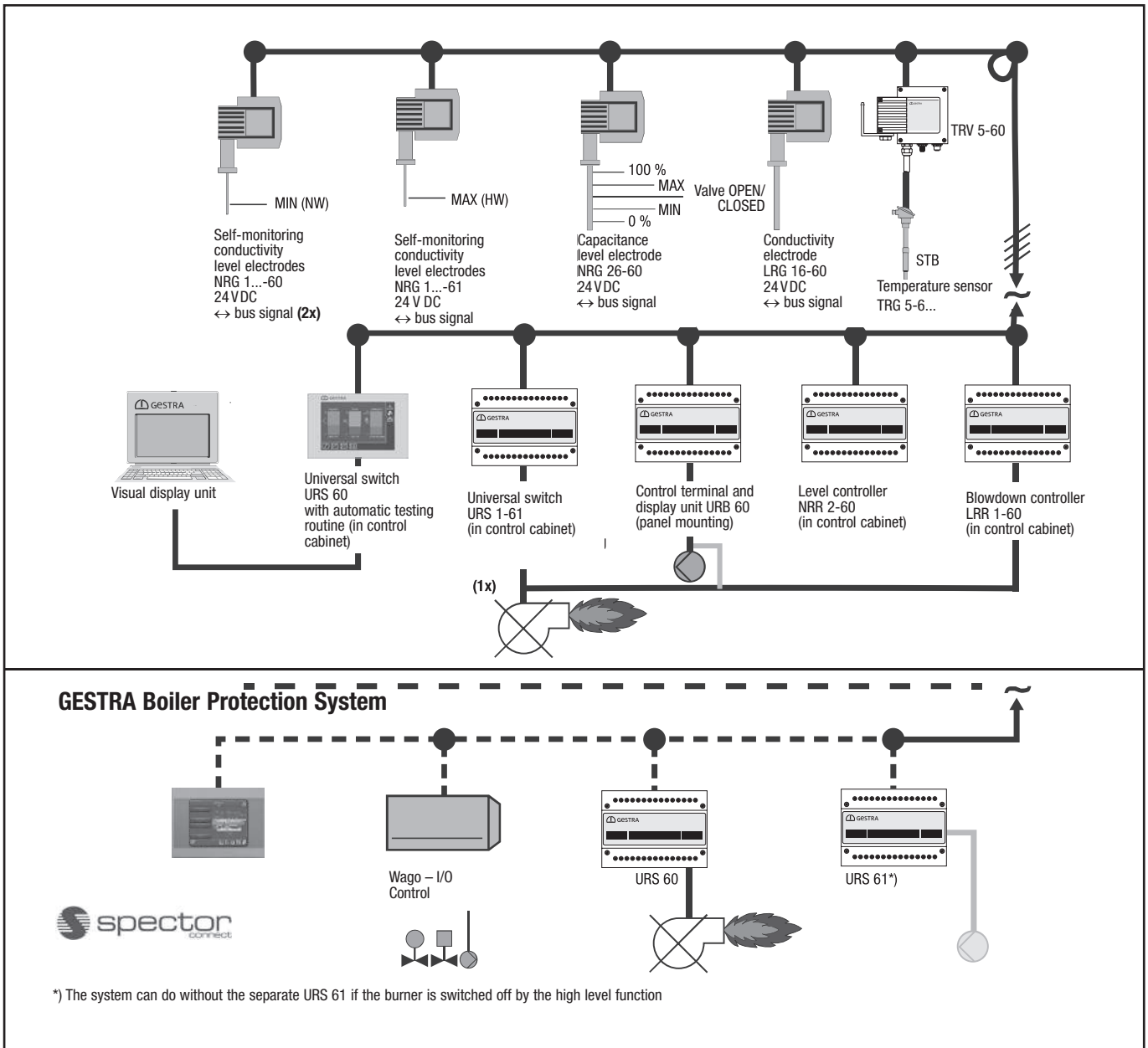
The SPECTORconnect system transfers the digitized measurement data acquired by the level probe to the electronic control unit located in the control cabinet. The centerpiece of this system is the stable and sophisticated CANbus (Controller Area Network). Several sensors and switches can be interconnected via one bus line.

Apart from active cable monitoring a CANbus system offers a host of benefits, such as increased design flexibility, reduced installation effort, optimized open and closed loop control, centralized operation and remote monitoring.

The standardised network opens up highly flexible possibilities for configuration. The CANopen protocol is used nowadays in medical equipment, electronic devices for marine applications, public means of transport and in burner and boiler controls of power plants.

Thanks to the many CANbus applications a great number of equipment and interface components are widely available, providing an ideal addition to our product range.





**SPECTORconnect boiler equipment:**

The SPECTORconnect system digitally transmits measurement data from the probe to the electronic control unit in the control cabinet. It does this by means of a stable, sophisticated CAN (Controller Area Network) bus.

Several sensors and amplifiers can be interconnected by means of a CAN bus line. In addition to the active cable monitoring achieved in this way, the system offers numerous advantages for the planning, installation, display and optimisation of open-loop and closed-loop control systems, and enables problem-free link-up with other open bus systems.

The standardised network offers extremely flexible configuration options. In combination with the SPECTORcontrol open/closed-loop control, display and operator system, the SPECTORconnect can achieve bidirectional communication with the burner control, the central control room or – via UMTS – with the service partner.



The reliability of water level limiters made by GESTRA exceeds the requirement of the EN directives for SIL 2 safety chains. The system consists of two electrodes and one level switch.

The system is self-monitoring and features positive-action safety relays, extensive fault analysis for rapid detection of malfunctions and separate error messaging for both limiters.

**The system is SIL 3 certified.**



## Technical Data

Type	Pressure rating	End connection	Service pressure in bar / Saturated steam temperature	Lengths supplied mm	Ambient temperature in °C
NRG 16-60	PN 40	¾"	32 / 238	500 – 3000	70
NRG 17-60	PN 63	¾"	60 / 275	500 – 3000	70
NRG 19-60	PN 160	¾"	100 / 311	500 – 3000	70
NRG 111-60	PN 320	1"	183 / 357	500 – 3000	70
NRG 16-61	PN 40	¾"	32 / 238	500 – 1500	70
NRG 17-61	PN 63	¾"	46 / 260	500 – 1500	70
NRG 19-61	PN 160	¾"	100 / 311	500 – 1500	70
NRG 111-61	PN 320	1"	183 / 357	500 – 1500	70

## Level Limitation

### Low-Level Limiter

Control unit URS 60 in conjunction with **one** level electrode type NRG 16-60, 17-60, 19-60 or 111-60 constitutes a high-integrity self-monitoring low-level limiter with periodic self-checking and automatic routine testing of output relay contacts. Function:

- Low-level alarm with **one** switchpoint.

The equipment detects min. water level (low-level alarm).

Application in steam and pressurized hot-water boilers according to EN 12952/..53.

Control unit URS 60 in conjunction with **two** level electrodes type NRG 16-60, 17-60, 19-60 or 111-60 constitutes a high-integrity self-monitoring low-level limiting **system** with periodic self-checking. The control unit features the following function:

- Low-level alarm with **two** switchpoints.

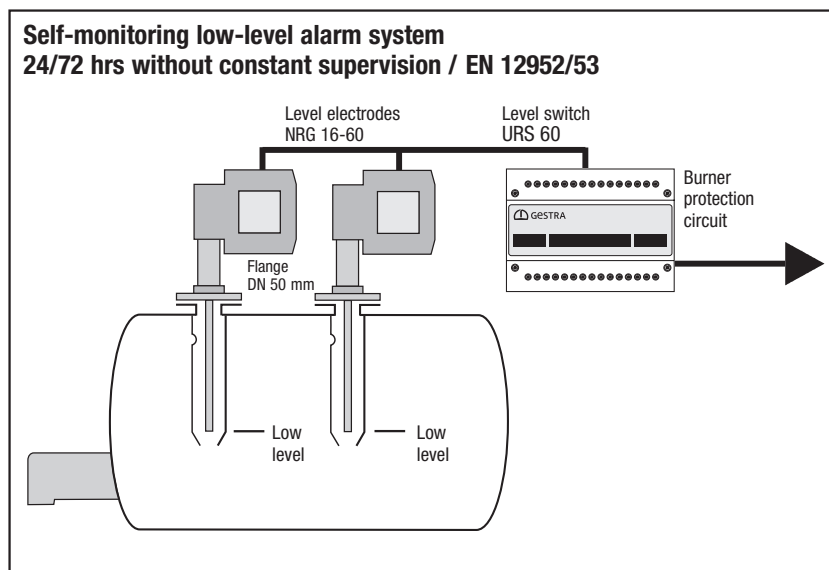
The equipment combination detects low-water level (low-level alarm **system**).

Application in steam and pressurized hot-water boilers according to EN 12952/..53.

The electric device complies with the regulations for safety circuits to DIN EN 50156.

The liquid level data are transferred from the electrode NRG 1...-60 to the control unit via CAN bus, using the CANopen protocol.

The safety temperature limiter type TRG 5-6./TRV 5-60 can be added to the system; for more information refer to pages 132 – 133.



Type		PN	Stock code
NRG 16-60	1000 mm	40	3831042
URS 60	24 V DC		3356041
NRG 17-60	1000 mm	63	3832042
URS 60	24 V DC		3356041
NRG 19-60	1000 mm	160	3833042
URS 60	24 V DC		3356041
NRG 111-60	1000 mm	320	3356041
URS 60	24 V DC		3834042

### SIL 3

If supervision is limited, the system can be operated with one electrode.

### High-Level-Alarm

Control unit URS 1-61 in conjunction with **one** level electrode type NRG 16-61, 17-61, 19-61 or 111-61 constitutes a high-integrity self-monitoring high-level alarm system with periodic self-checking and automatic routine testing of output relay contacts. Function:

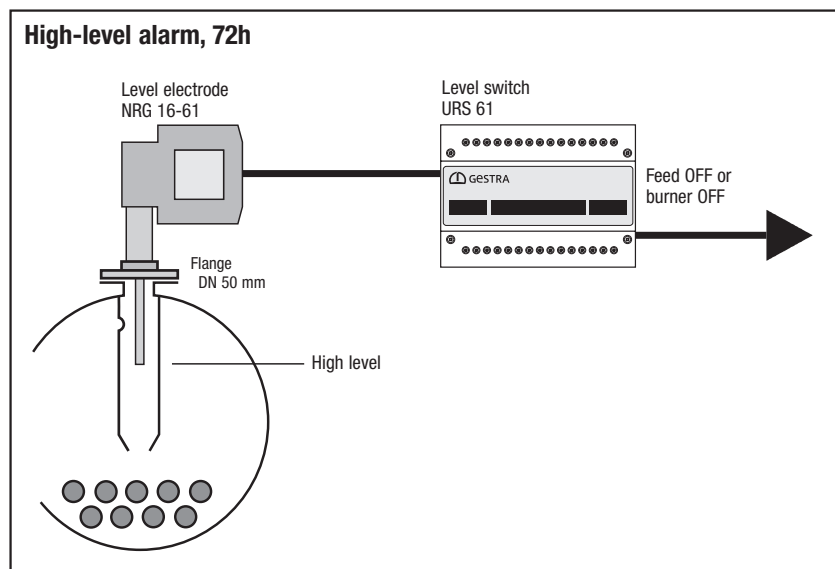
■ High-level alarm

The equipment detects the max. water level.

Application in steam and pressurized hot-water boilers according to EN 12952/..53.

The electric device complies with the regulations for safety circuits to DIN EN 50156.

The liquid level data are transferred from the electrode NRG 1...-61 to the control unit via CAN bus, using the CAN open protocol.



Type		PN	Stock code
NRG 16-61	500 mm	40	3841041
URS 61	24 V DC		3356141
NRG 17-61	500 mm	63	3842041
URS 61	24 V DC		3356141
NRG 19-61	500 mm	160	3843041
URS 61	24 V DC		3356141
NRG 111-61	500 mm	320	3834042
URS 61	24 V DC		3356141
<b>SIL 3</b>			

## Boiler Protection System

### Description

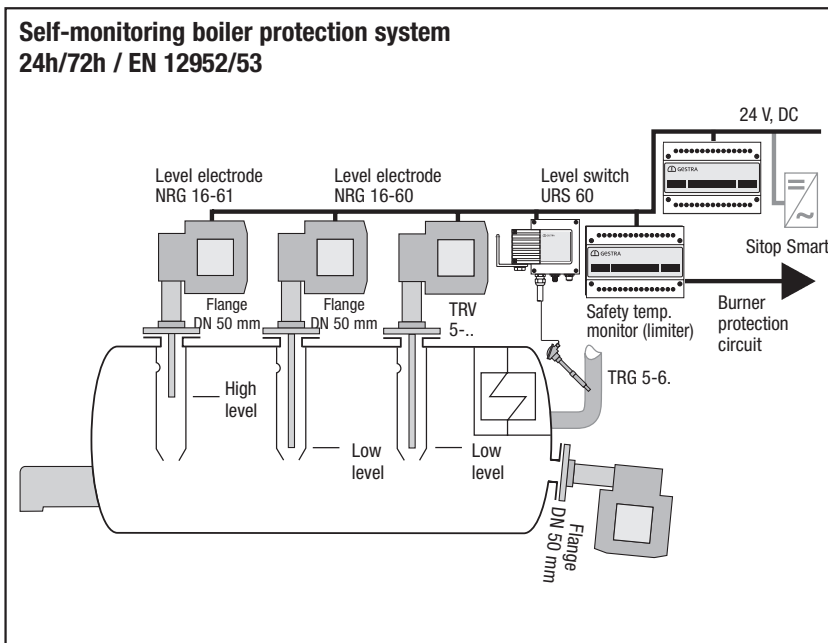
The control unit URS 60 in combination with **two** level electrodes NRG 1.-60, the temperature sensor TRG 5-6../TRV 5-60 constitutes a self-monitoring boiler protection system with periodic self-testing and continuous monitoring of the output relays. The control unit features the following functions:

- **Low-level alarm with two switchpoints**  
The equipment combination detects the min. water level (low-level limiting **system**).
  - **Safety temperature limiter**  
The equipment combination detects the max. allowable temperature.
  - **High-level alarm**  
The equipment combination detects the max. water level.
  - **Or other customized combination.**
- If more than four limiters are required, the control unit URS 61 can also be integrated in the system.

Application in steam and (pressurised) hotwater plants in accordance with EN 12952/..53.

The electrical equipment meets the requirements of the regulations for safety circuits according to DIN EN 50156.

The data of the sensors are transferred to the control unit via CANbus, using the CANopen protocol.



Type		PN	Stock code
NRG 16-60	1000 mm	40	3514042
TRG 5-65			2671611
TRV 5-60			2691040
LRG 16-60	300 mm		3791044
URS 60			3356041
NRG 16-61	500 mm		3841041
URS 61	24 V		3356141
NRG 17-60	1000 mm	63	3544042
TRG 5-65			2671611
TRV 5-60			2691040
LRG 17-60	300mm		3792044
URS 60			3356041
NRG 17-61	500 mm		3842041
URS 61	24 V		3356141
NRG 19-60	1000 mm	160	3574042
TRG 5-65			2671611
TRV 5-60			2691040
URS 60			3356041
NRG 19-61	500 mm		3594141
URS 61	24 V		3356141
Optional: URB 60			3386043

### Level Controller NRR 2-60

– type approved –

- 3-position PI stepping controller with High and Low level alarm
- Optional: 3-element control
- Supporting rail for installation in control cabinets

Input:

- Capacitance level electrode NRG 26-60
- CANopen input signal
- 1 input for feedback potentiometer 0 - 1000 Ω
- For connecting the operating unit URB 60

Output:

- 1 volt free changeover contact for valve Open / Stop / Closed
- 1 actual value current output 4 - 20 mA
- Protection: IP 40
- Supply connection: 24 V DC; 4 W
- Weight: 0.8 kg

### Level Controller NRR 2-61

– type approved –

- Continuous-action PI controller with two High and two Low level alarms
- Optional: 3-element control
- Supporting rail for installation in control cabinets

Input:

- Capacitance level electrode NRG 26-60
- 2 inputs 4 - 20 mA for flow metering
- CANopen input signal
- 1 input for feedback potentiometer 0 - 1000 Ω
- For connecting the operating unit URB 60

Output:

- 1 current output 4 - 20 mA for valve control
- 1 actual value current output 4 - 20 mA
- 4 volt free changeover contacts for High/Low level alarm
- Protection: IP 40
- Supply connection: 24 V DC; 4 W
- Weight: 0.8 kg

### Capacitance Level Electrode NRG 26-60

– type approved –

For continuous signalling of liquid levels

- Pressure rating PN 40
- Measuring range: H = 300 – 2000 mm
- Connection: G ¾" EN ISO 228-1

Materials:

- Housing: 1.4571
- Measuring electrode: 1.4571
- Electrode insulation: PTFE
- Terminal box: 3.2161 (G ALSI8CU3)

Output:

- Incorporated in SPECTORconnect system Display & Operation
- Male/female connector M12 with 5 poles, A coded
- Seven-segment display with rotary push button
- Supply voltage: 24 V DC, 4 W
- Protection: IP 65
- Weight: 2.0 kg

### Operating & Display Unit URB 60

For panel mounting 136 x 96 mm

Input:

- Interface for data exchange with SPECTORconnect system

User interface

- Touchscreen, analog, resistive, resolution 640 x 480 pixels

Illuminated

Electrical connection:

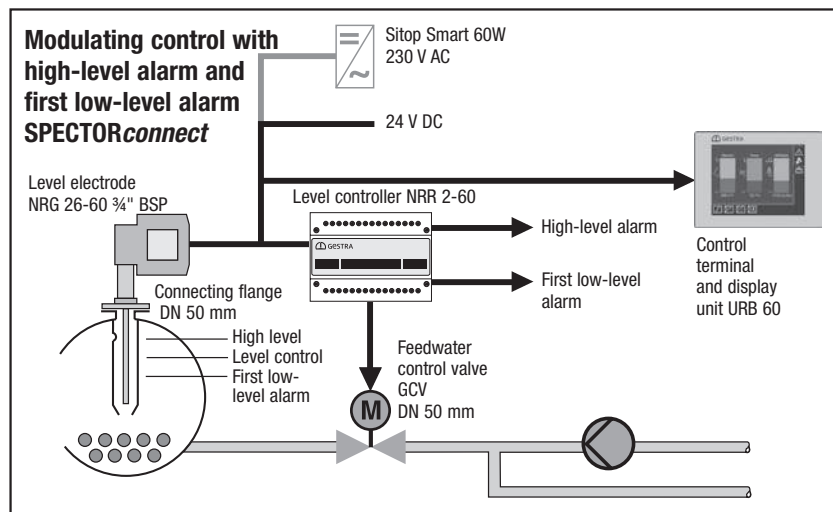
- 1 three-pole connector for voltage supply
- 1 nine-pole D-SUB connector for SPECTORconnect

Ethernet interface

- MODbus TCP
- Supply connection: 24 V DC, 8 VA

Protection:

- Front: IP 65
- Back: IP 20
- Weight: 1.0 kg

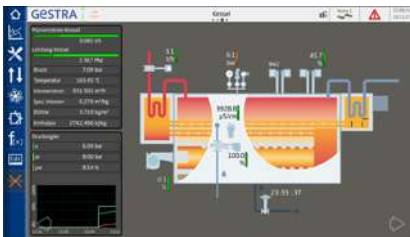


Type		PN	Stock code
NRG 26-60	H = 1000 mm	40	3496047
NRR 2-60	24 V		3246041
URB 60			3386043

## SPECTORcontrol /// - The open/closed-loop control, display and operator unit

### System description

- 15.6" Capacitive Touch
- with the following interfaces
  - 2 Ethernet interfaces for Intranet / Modbus TCP communication
  - CANopen
  - Modbus RTU RS232 for a specific burner connection
  - USB interface for backup / upload function
  - Further fieldbuses via gateway (optional)
- Bus terminals for mounting on a support rail for a maximum of:
  - 60 digital inputs 24 V
  - 40 digital inputs for relay / volt-free
  - 40 analog inputs (4..20 mA, 10R..1K2, 0..10V, Pt 100)
  - 20 analog inputs (4..20 mA, 0..10V)



### Function

The SPECTORcontrol (SC) is an open/closed-loop control, display and operating unit for a variety of uses in the control of technical equipment. All parameters, e.g. for a flowrate measurement, a steam calculator or regulator, can be set via the touchscreen with no programming knowledge.

Use of the SC means that open and closed-loop control and operator functions are all integrated in the unit. As a result, there is no need for the usual regulators from the SPECTORconnect family, such as the NRR 2-60 or URB. Additional signals are processed via an IO terminal.

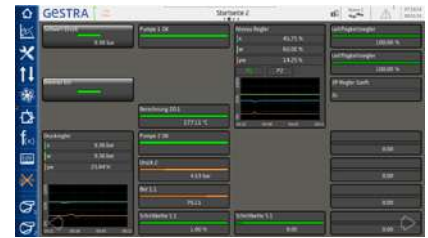


The system allows the processing of digital and analogue signals, and the setting of alarm and switching thresholds. These signals can be switched directly on the regulator or further processed by the logic and calculation functions, for example. Next, they are transmitted once again via a digital or analogue output (IPO model).

The signals can enable a diverse range of switching-specific tasks to be performed. Consequently, far less equipment is required in the control cabinet.

The interfaces also provide the option of retrieving data from various burner controls (Lamtec, Siemens/Landis & Staefa) and incorporating these in the open-/closed-loop control and display functions.

Likewise, there is the option of forwarding all operating data via Ethernet to service partners for remote support or to central control systems, or to configure them from here.



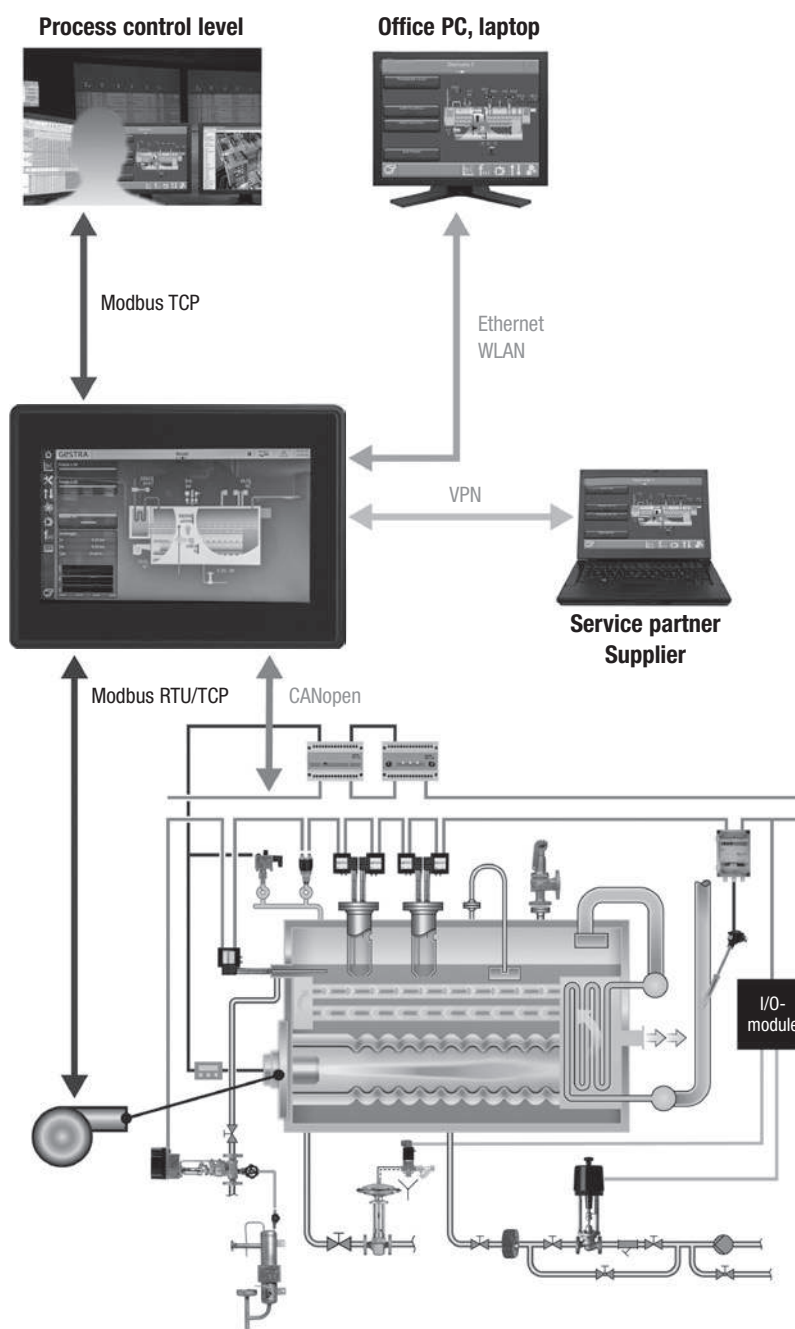
### Example regulators

- Continuous controller (pumps)
- 3 position stepping controller (pumps)
- 2 position controller (pumps)
- 3-component regulators
- Automatic intermittent blowdown control with pulse repetition
- Metering regulators

Depending on the control loop, regulators can feature the following:

- P, PI or PID characteristic
- Deadzone
- Soft start
- Automatic runtime-dependent pump switchover
- Preset operating positions

### SPECTORcontrol III



#### Function

Capacitive touchscreen display (IP65)	15,6"
Swipe to change screens/use scrolling lists	X
Operating data display for four pages	X
Individual start screens with individual flowcharts	4
Option of individual variable positioning for start screens 3 and 4	32x
Switches/set points set directly from start screens	X
Burner control operating data display via Modbus RTU / TCP for Lamtec or Landis & Staefa	X
Operating data display for second burner control via Modbus	X
Dynamic set point input and fuel switchover	X
Trend logs (10 days)	30
Steam flowrate measurement (with pressure/temperature compensation)	10
Flowrate measurement (pulse/analogue)	20
Timer (weekly)	5
Maintenance logs (runtime/switching frequency)	10
Calculations (e.g. for set points)	20

Logic operations (e.g. for enabling the regulator)	40
Step sequences (e.g. for burner soft start)	5
Control loops (controller optimisation via trend)	20
Digital inputs/outputs	60/40
Analogue inputs/outputs	40/20
CAN sensors	30
Fault log including freely configurable collective fault signal, first-up signal and 8 alarm groups	X
Alarm history	1024
Communication via Modbus TCP	X
SC II mutual data exchange via Modbus TCP master/slave	3
Option of remote control via VNC	X

The SPECTORmodule Touch series is based on extensive experience gained over more than 30 years and designed for evaluating and optimizing established systems and their integral components.

The level controller NRR 2-5. offers a wide range of standard applications and features some additional extras that allow design engineers and operators to find the optimum system that meets their specific requirements.



## Newly developed equipment

The name **SPECTOR*module*** stands for advanced and future-oriented system solutions, tailored to the needs and requirements of our customers. This innovative new product family combines modularity with exceptional functionality and sets new standards in various areas and sectors.

In addition to the self-monitoring and routine testing ("SMART") MIN/MAX water level limiters with EU and TÜV approval and certified functional safety SIL 3 we can now offer a safety temperature monitor/limiter that provides the same safety level.

When it comes to safety don't take any chances.

As you can see in the following table, there are two versions of the SPECTOR*module* product family:

- **SPECTOR*module*** offers all essential functions and provides significant benefits over the old conventional equipment.
- **SPECTOR*module* Touch** boasts user-friendly functions which are based on the highly advanced features of the field-proven SPECTOR*connect* product range. This system offers a host of benefits and sets the trend for technological progress.

Many of the advantages offered by the new product family are listed as follows. On the next page you will also find a synopsis of the old/new equipment and their respective functions and benefits.

### SPECTOR*module*

- Compact design reduces installation work
- Easily accessible connecting terminals
- Supply voltage 24 V DC, which means that the equipment works independently of the national supply network
- Easy operation via rotary knob/pushbutton ensures fast setup and installation
- A 7-segment numeric display provides information on the latest readings and messages

### SPECTOR*module* Touch

- Operator control level separated from power switchgear, which means that no elaborate wiring in control cabinet is required
- The URB 55 can show both the level controller and conductivity controller simultaneously
- User-friendly and language-independent operation thanks to intuitive colour touch screen
- Level:
  - ▶ Intuitive operation via touch screen operator panel with visual display of actual value, setpoint and value of manipulated variable
  - ▶ Trend line for identifying potential optimisation measures
  - ▶ PI control action
  - Optional:
    - Three-component control
- Conductivity:
  - ▶ Intuitive operation via touch screen operator panel with visual display of actual value, setpoint and value of manipulated variable
  - ▶ Prototype approval in acc. with WÜ 100 (VDTÜV Bulletin "Water Monitoring Equipment 100")
  - ▶ Integrated flushing pulse for reducing manual maintenance
  - ▶ Integrated, programmed intermittent blowdown control means no separate module is required for actuating the blowdown valve
  - ▶ Interlocking input for preventing the simultaneous operation of two or more intermittent blowdown valves connected to one blowdown receiver

This new product family supersedes all old analogue control equipment.

When designing the new **SPECTOR*module*** product range we made sure that the new equipment will also work with existing sensors.

## Technical Data

Type	Pressure rating	End connection	Service pressure in bar g / Saturated steam temperature	Lengths supplied mm	Ambient temperature in °C
NRG 16-50	PN 40	¾"	32 / 238	500 – 3000	70
NRG 16-36	PN 40	1½"	32 / 238	1000 – 1500	70
NRG 17-50	PN 63	¾"	60 / 275	500 – 3000	70
NRG 19-50	PN 160	¾"	100 / 311	500 – 3000	70
NRG 111-50	PN 320	1"	183 / 357	500 – 3000	70

## Description

### Functional Safety

Since the international standards IEC 61508 and IEC 61511 for functional safety came into effect there has been an ever-increasing demand for analyzing equipment and process instruments that meet the requirements according to the SIL (Safety Integrity Level) classification. The European directives EN 12952 and 12953 demand that a hazard analysis shall be carried out for each limiting device function and appropriate levels of functional safety be implemented.

Note 1 states: „Typical Safety Integrity Level (SIL) requirements for boiler protective systems are not less than 2“.

**Functional safety** is part of the overall safety of a system that depends on the correct functioning of safety-related (sub)systems and external equipment for risk reduction.

This means that functional safety covers only one aspect of the overall safety. Other issues such as electrical safety, fire and radiation protection etc. do not fall within the scope of functional safety.

In modern systems electronic and, in particular, programmable systems perform safety functions to an ever increasing extent. As a consequence it is of utmost importance to assure the correct functioning of complex

programmable systems. It is therefore essential to establish suitable methods for preventing systematic faults (usually due to human error committed during the specification and implementation phase) and for controlling failures, abnormalities and loss of function (usually physical phenomena). In this context the term “safety integrity of the protective or safety function” is used.

The European standard IEC 61508 “Functional safety of electrical/electronic/ programmable electronic safety-related systems” defines procedures, techniques, measures etc. for the functional safety of E/E/PE systems.

**Water-level limiter  
NRG 1.-50 / NRS 1-50**

**Application and Purpose**

The level electrode NRG 1.-50 in conjunction with level switch NRS 1-50 is designed as self-monitoring water level limiter with routine testing ("SMART") acc. to the European Standards EN 12952 and EN 12953. The equipment combination detects the minimum admissible level and serves as low level limiter in steam boilers and (pressurized) hot-water installations. According to the EN body of rules two SMART water level limiters are required. The system is **SIL 3** certified in accordance with IEC 61508.

The level electrode NRG 1.-50 can be combined with the following GESTRA systems:

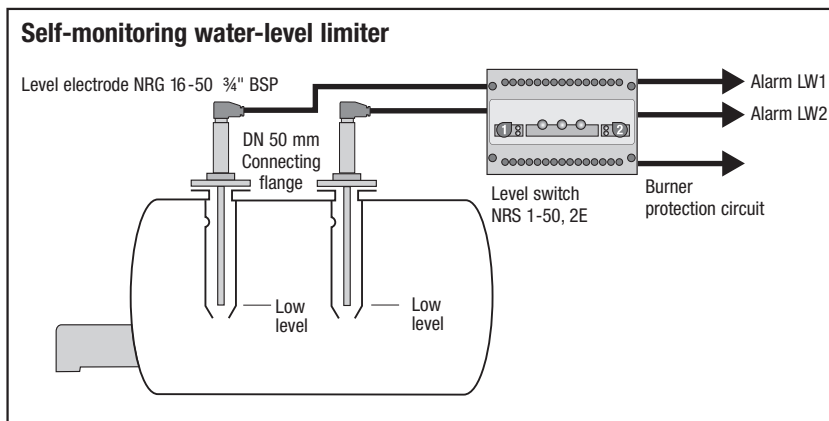
- NRG 26-21 / NRGT 26-2 / NRR 2-52 / -53 (modulating level control)
- NRG 26-21 / NRGT 26-2 / NRR 2-50 / -51 (modulating level control)
- NRG 26-21 / NRGT 26-2 / NRS 2-50 (on-off level control)
- NRG 16-52 / NRS 1-54 (on-off level control)
- NRG 16-4 / NRS 1-52 (high-level limiter)
- NRG 16-51 / NRS 1-51 (self-monitoring high-level limiter)
- NRG 16-52 / NRS 1-56 (universal on-off control)

The level electrode NRG 17-50 can be combined with the following GESTRA systems:

- NRG 17-51/NRS 1-51 (high-level limiter)

The level electrode NRG 19-50 can be combined with the following GESTRA systems:

- NRG 19-51/NRS 1-51 (high-level limiter)



Type	PN	Stock code
NRG 16-50, L = 1000 mm	40	3131642
NRS 1-50, 2E 24 V DC		3101241
NRG 17-50, L = 1000 mm	63	3131942
NRS 1-50, 2E 24 V DC		3101241
NRG 19-50, L = 1000 mm	160	3132042
NRS 1-50, 2E 24 V DC		3101241
NRG 111-50, L = 1000 mm	320	3132142
NRS 1-50, 2E 24 V DC		3101241

**Type approval**  
TÜV SWB xx-422  
SIL 3  
Optional: NRS 1-50  
Special voltage: 100..240 V, 47..62 HZ

.50

**Combination of  
water-level limiter and controller  
NRG 16-36 / NRS 1-50 / NRS 1-54**

**Application and Purpose**

The level electrode NRG 16-36 is a combination of a water level controller and a self-monitoring water level limiter with routine testing ("SMART") acc. to the European Standards EN 12952 and EN 12953. In conjunction with the on-off level controller NRS 1-54 the equipment detects the maximum water level ("High level limiter") and controls the level in

the boiler. In conjunction with the level switch NRS 1-50 the equipment detects and limits the minimum water level. The equipment combination is used in steam boilers and (pressurized) hot-water installations.

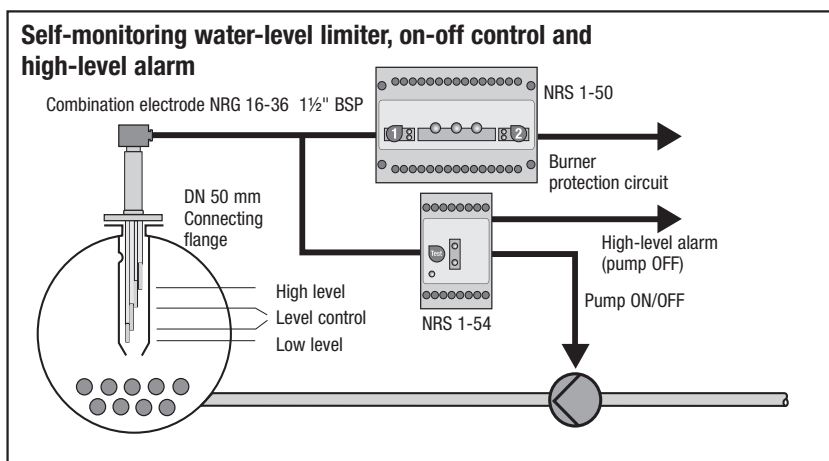
**Design NRS 1-50**

Plastic case with freely accessible terminals, for installation in control cabinets. The equipment can be snapped onto a 35 mm support rail. Field enclosure for one or more units available on request.

The system is certified to **SIL 3**.

**Design NRS 1-54**

Plastic case for installation in control cabinet. The equipment can be snapped onto a 35 mm support rail. Field enclosure for one or more units available on request.



Type	PN	Stock code
NRG 16-36, L = 1000 mm	40	3581047
NRS 1-50, 1E 24 V DC		3101141
NRS 1-54 24 V DC		3011441

**Type approval**  
NRS 1-50  
TÜV SWB xx-422  
SIL 3  
NRS 1-54  
TÜV WB/WR xx-424  
Optional: NRS 1-50  
Special voltage: 100..240 V, 47..62 HZ

.50

## Technical Data

Type	Pressure rating	End connection	Service pressure in bar g / Saturated steam temperature	Lengths supplied mm	Ambient temperature in °C
NRG 16-4	PN 40	3/8" / 3/4"	32 / 238	500 – 1500	70
NRG 16-51	PN 40	3/4"	32 / 238	500 – 1500	70
NRG 17-51	PN 63	3/4"	46 / 260	500 – 1500	70
NRG 19-51	PN 160	3/4"	100 / 311	500 – 1500	70
NRG 111-51	PN 320	1"	183 / 357	500 – 1500	70

## High-Level Alarms

### Description

#### “Conventional Design”

#### NRG 16-4 / NRS 1-52

#### Application and Purpose

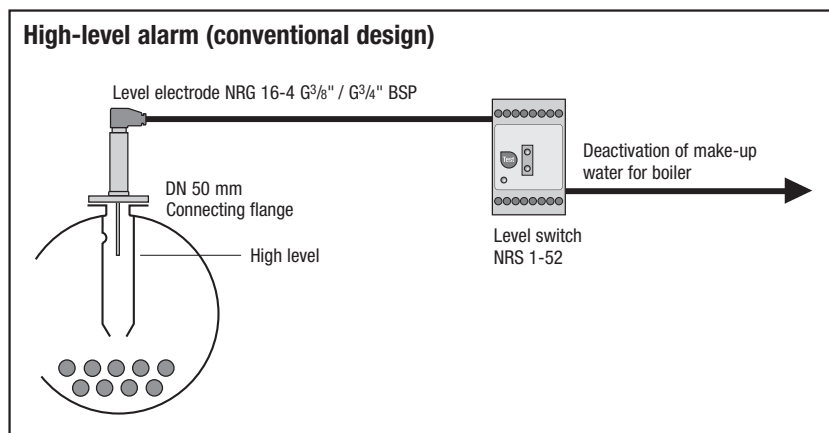
Use in combination with level switch NRS 1-52 for water-level limiting (high-level alarm) in electrically conductive liquids. The austenitic version is particularly suited for aggressive fluids. For vessels and steam boilers up to PN 40 with level switch in accordance with EN 12953 (boiler operation without constant supervision). Sensing unit for high-level alarm.

#### Design

The level electrode NRG 16-4 is available with screwed connection 3/8"

Material: 1.4571

The electrodes are supplied in different lengths. For switching levels between these dimensions the electrode tip can be cut to length as required. Wiring to the electrode is effected by a four-pole connector.



Type	PN	Stock code
NRG 16-4, L = 1000 mm	40	3441241
NRS 1-52 24 V DC		3011241

Type approval  
NRS 1-52  
TÜV WB/WR xx-424

## High-Level Alarms – Conventional Design

### “Self-Monitoring”

#### NRG 1.-51 / NRS 1-51

##### Application and Purpose

Use in combination with level switch NRS 1-51 as self-monitoring high-level alarm with periodic self-checking according to EN 12953 for high-water level detection/limiting (high-level alarm) in steam and pressurized hot-water boilers.

### Design

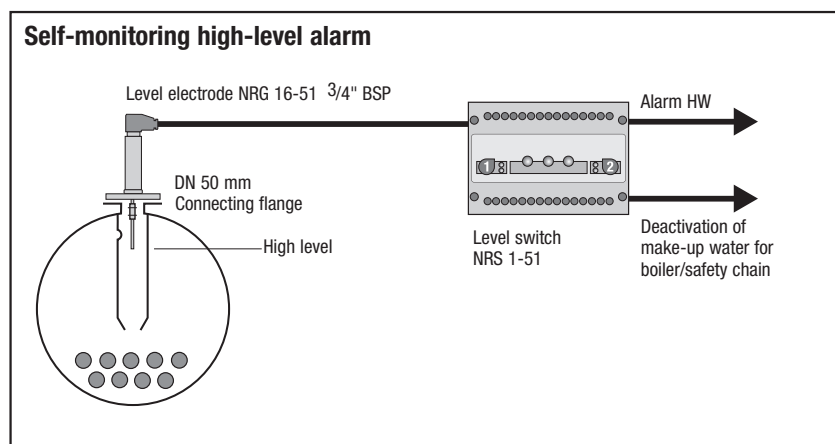
The high-level limiting system comprises level electrode NRG 16-51, NRG 17-51 or NRG 19-51 and level switch NRS 1-51.

The system is certified to **SIL 3**.

The level electrodes NRG 16-51, NRG 17-51 and NRG 19-51 consist of a measuring electrode fitted in a body. The electrode is insulated by special insulating seals.

The pressure-tight connection of the electrode is effected coaxially with a contact ring and

a stud. A system of compression springs in the electrode body ensures sufficient sealing forces at the insulating seals, even if temperatures vary. The stud is insulated by a PTFE foil. Contact ring and body are connected to the four-pole connector base by PTFE insulated wires. The level electrode is available in various lengths up to 1500 mm. Observe mounting instructions (see examples of installation). The system (electrode + level switch) complies with the regulations concerning safety circuits in accordance with DIN EN 50156-1 / VDE 0116.



Type		PN	Stock code
NRG 16-51, NRS 1-51	L = 500 mm 24 V DC	40	3132241 3101541
NRG 17-51, NRS 1-51	L = 500 mm 24 V DC	63	3132341 3101541
NRG 19-51, NRS 1-51	L = 500 mm 24 V DC	160	3132441 3101541
NRG 111-51, NRS 1-51	L = 500 mm 24 V DC	320	3132541 3101541

#### Type approval

TÜV SHWS xx-423

SIL 3

Optional: NRS 1-51

Special voltage: 100..240 V, 47..62 HZ



.50

**Description**

**Level control**  
**NRG 26-21 / NRGT 26-2 /**  
**NRR 2-52 / -53**

This modulating level control system comprises the level electrode NRG 26-.../ NRGT 26-2 with universal operating unit (URB 55) and the level controller NRR 2-52 / -53.

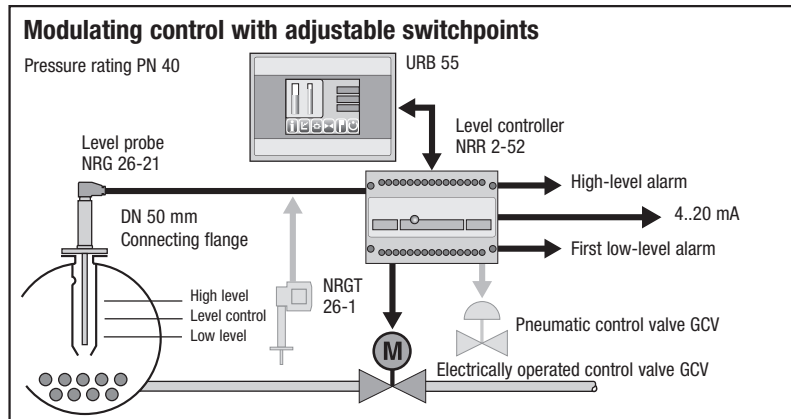
The level-dependent actual value sensed by the electrode is continuously compared by the controller with the adjusted setpoint. Any deviation is immediately detected and a signal is transferred to the motorized feed-water control valve in order to regulate the flowrate accordingly.

The level controller is a PI controller with manual control. The equipment features

additional functions such as high level alarm, first low level alarm ("LoLo") and an actual value output for remote indication of the water level.

The switchpoints are adjustable within the whole measuring range of the level electrode.

The NRR 2-52 works as three-position stepping controller, the NRR 2-53 as continuous controller.



Type		PN	Stock code
NRG 26-21	L = 1000 mm	40	3452147
NRGT 26-2	24 V DC, 4-20 mA L = 1000 mm	40	3486047
NRR 2-52	24 V DC, 4-20 mA, 3-posit. stepping, MIN, MAX	URB 55	3031241
NRR 2-53	24 V DC, 4-20 mA, continuous, MIN, MAX	URB 55	3031341

**Type approval**  
**TÜV WR xx-427**

Option:

3-element control (level, steam & water flowrate)

.30

**Level control**

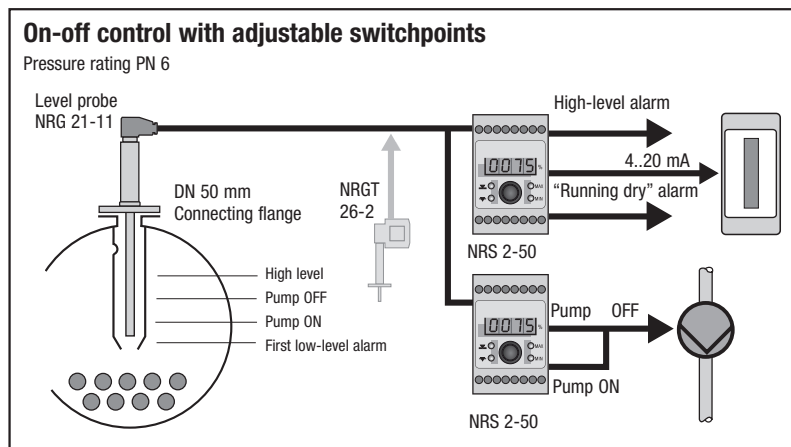
**NRG 26-21 / NRGT 26-2 / NRS 2-51**

This water level controller is a combination of a level electrode NRGT 26-... and a level switch NRS 2-51.

The equipment can also detect and signal high level and first low level.

Remote indication of the water level is possible if the 4-20 mA output and the LED bargraph display are used.

The advantage of this switching controller lies in customized switchpoints which can be adjusted during operation and the simultaneous use of several control units.



Equipment combination		Stock code
NRG 21-11	H = 1000 mm	3421247
NRS 2-50, 4-20 mA	24 V DC	302104157
LED analogue display		1504196

**Type approval**  
**TÜV WR xx-425**

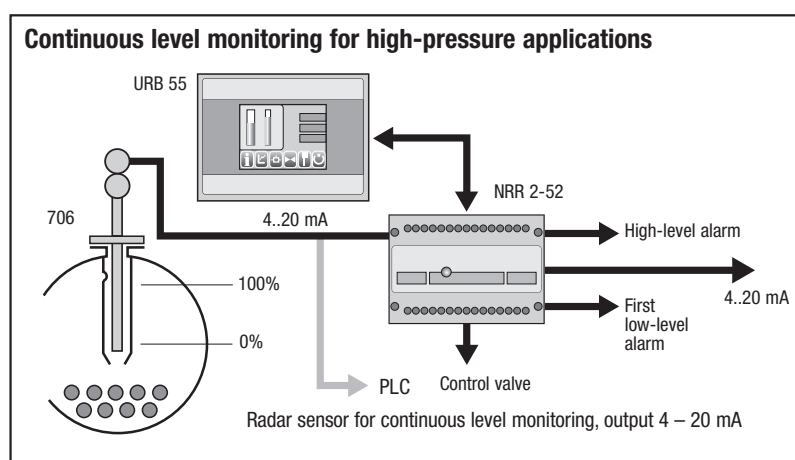
## High-Pressure Level Control

### Level control

#### 706 / NRR 2-52 / -53

Used in conjunction with controller type NRR for modulating water level control (pressure range > PN 40).

Can also be used as combination electrode together with limiters. The 706 is a radar-based level transducer. The reflexion time is a function of the level and will be transformed into a 4...20 mA standard output signal by the measuring transducer.

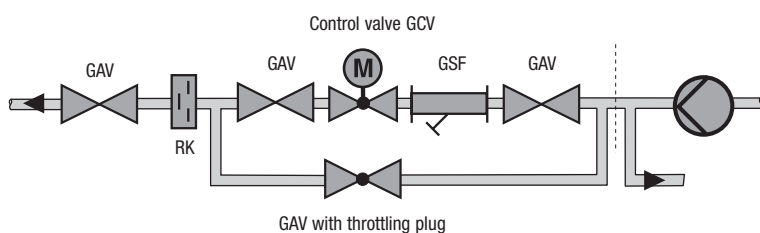


Type	PN	Design	Measuring range
706 24 V DC	100	DN 50	600
		DIN 2696 Form E	800 1000
	160	DN 50 DIN Form E	600 800 1000

#### Approval LRS

### Control valve with isolating bypass valve, strainer, non-return valve and feedback potentiometer

Pressure rating PN 40



Equipment combination	Boiler capacity t/h	DN
4 x GAV 36, Control valve GCV, GSF, RK 230 V, 50 Hz	< 2.5	20
	< 8.0	40
	< 16.0	50
	< 28.0	65

### SPECTORcompact

Where formerly two devices were required, all you need now is just a single Spectorcompact. As a combined level

### Features and Benefits SPECTORcompact

- Patented temperature barrier in cylindrical body above electrode flange
- Terminal box equipped with excess temperature fuse (102 °C)
- Level electrode and controller in one unit
- Optimum system adaptation thanks to modular design

### System Description NRGS 1...-1

The compact system NRGS 11-1 or NRGS 16-1 works according to the conductivity measurement principle. With the NRGS 1...-1 a maximum of **four** levels can be signalled in conductive liquids:

electrode and controller, it presents the economical alternative for monitoring liquid levels in small installations and steam boilers.

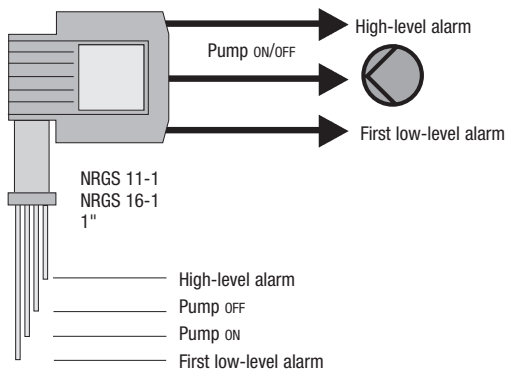
- No mounting of component parts in control cabinet
  - No space requirements
  - No installation
  - No wiring
  - Easy planning
- Simplified logistics
  - Only one item of equipment has to be ordered and checked upon receipt
- High-level alarm, first low-level alarm, pump ON, pump OFF, with one switchpoint each.

The NRGS 1...-1 has a level switch integrated in the electrode case for the control of all functions. An external switching device is **not** required.

Since the entire electronic control unit is located within the terminal box, the transmission path is short and reliability is higher than with comparable systems.

- Reduced inventory requirements and simplified stocking
- No onerous assignment procedures of individual component parts to mechanical engineering dept. (boiler) and measurement and control engineering dept. (control cabinet)
- Interchanges with old float-operated systems since they have their output contacts also integrated in the terminal box.

#### Compact system for on-off level control with fixed switchpoints



Water-level controller with two additional limit contacts, power supply 115/230 V, 50 Hz.

Type	PN	Max. length supplied	Stock code
NRGS 11-1	6	1000	3532048
		1500	3532054
NRGS 16-1	40	1000	3533048
		1500	3533054

Optional 24 V, 50..60 Hz .51

Type approval TÜV WRB xx-388



### System Description NRGS 1...-2

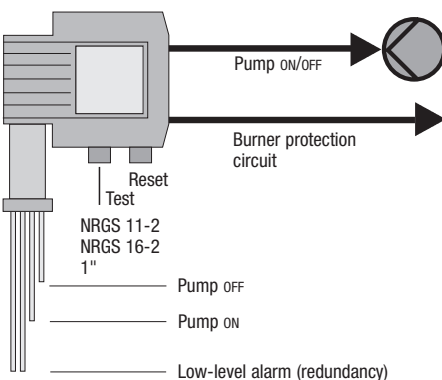
The compact system NRGS 11-2, NRGS 16-2 works according to the conductivity measurement principle. With the NRGS 1...-2 a maximum of **three** levels can be signalled in conductive liquids:

- Low-level alarm, pump ON, pump OFF, with one normally open contact.

The NRGS 1...-2 has a level switch integrated in the electrode case for the control of all functions. An external switching device is **not** required.

The NRGS 1...-2 has two electrode tips for the detection of low-water level. The low-level alarm is signalled via two separate switching channels.

#### Compact system for water-level limitation and on-off control



Low-level alarm and liquid level controller, power supply 115/230 V, 50 Hz.

Type	PN	Max. length supplied	Stock code
NRGS 11-2	6	1000	3532148
		1500	3532154
NRGS 16-2	40	1000	3533148
		1500	3533154

Optional 24 V, 50..60 Hz .51

Type approval TÜV WR/WB xx-388

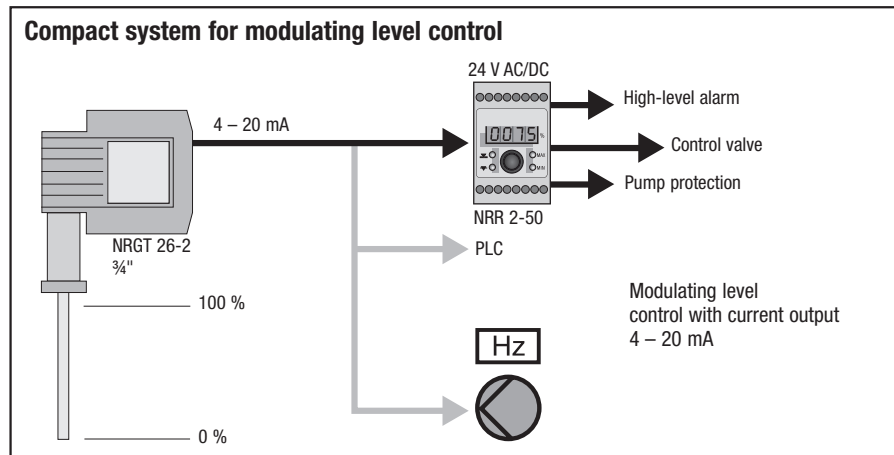


### System Description NRGT 26-2

The compact system NRGT 26-2 works according to the capacitance measurement principle. The NRGT 26-2 is used for signalling different levels in conductive and insulating liquids.

- Modulating control ensures that the liquid level is always within the predefined measuring range of the electrode.

The NRGT 26-2 has a level transmitter integrated in the electrode case which produces a standard analogue output of 4 – 20 mA. An external switching device is **not** required.



Type	PN	Max. length supplied	Stock code
NRGT 26-2 24 V DC	40	300	3482040
		400	3482041
		500	3482042
		600	3482043
		700	3482044
		800	3482045
		900	3482046
		1000	3482047
		1100	3482048
		1200	3482049
		1300	3482050
		1400	3482051
1500	3482052		
2000	3482053		

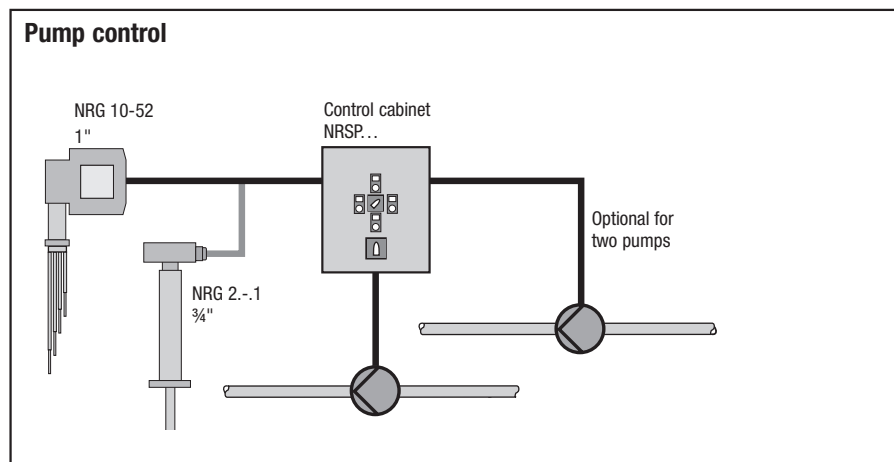
Type approval TÜV WR/WB xx-388

## Pump Control Units

Standard features	NRSP 1-51	NRSP 1-52	NRSP 2-51	NRSP 2-52
Pump protection against running dry	●	●	●	●
Pump protection against running dry and high-level alarm			●	●
Time-dependent pump switching device		●		●
Switching-on of stand-by pump				●
Single malfunction alarm			●	●
Collective malfunction alarm (visible)	●	●	●	●
Volt-free contacts	●	●	●	●
Actual value output 4-20 mA			●	●
Required sensor	NRG 1.-52	NRG 1.-52	NRG 2.-.1	NRG 2.-.1

Individual control systems for steam regenerators, desuperheaters, etc. conventional system or freely programmable (on request)

NRGS 1.-11 / NRSP 1-5. = fixed switchpoints  
NRG 2.-.1 / NRSP 2-5. = variably adjustable switchpoints



Equipment	Stock code
NRG 10-52 / NRSP 1-51	3153653 / 3265140 ...
NRG 10-52 / NRSP 1-52	3153653 / 3265240 ...
L = 1000 mm	
NRG 21-11 / NRSP 2-51	3421247 / 3265340 ...
NRG 21-11 / NRSP 2-52	3421247 / 3265440 ...
H = 1000 mm / L = 1083 mm	

**Description**

**Level pot MF for external installation of level electrodes**

**Additional equipment for the external installation of liquid level alarms SRL 6-50**

**Purpose**

In combination with external low-level alarms for monitoring the periodic purging of level pots or, generally, as timer for monitoring any periodic function.

Particularly suitable for steam plant operation to EN 12953.

**Design**

All-electronic logic unit **SRL-50** for continuous monitoring, with three LEDs (stand-by, purging, switching off) with case for mounting on walls.

**Operation**

The monitoring equipment with Mini-PLC periodically activates a memory for a defined period of time. During this period the memory registers all functional operations, e. g. purging of the level pot. If this signal is not received within the fixed period, the plant is shut down. The plant is also shut down if the purging process lasts for more than five minutes.

**Stop Valve GAV**

**Purpose**

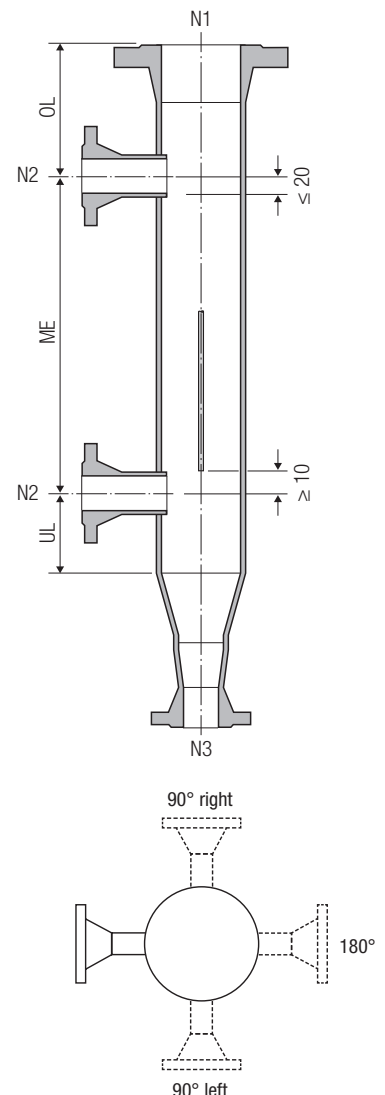
For isolating and throttling non-corrosive and aggressive gases, steam and liquids, e. g. air, steam, gas, oil etc. in all industries.

**GAV Features**

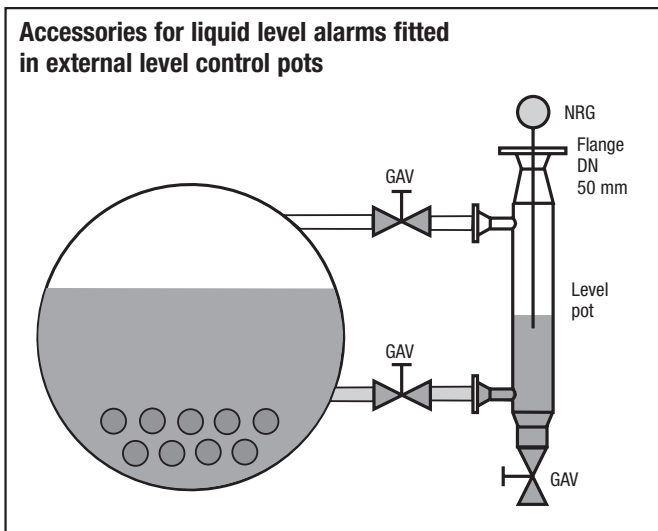
- With stuffing box
  - Detachable locking device for all sizes
  - Optional limit switch(es)
- Y-type drain valve 17/213

**Type code of level pots**

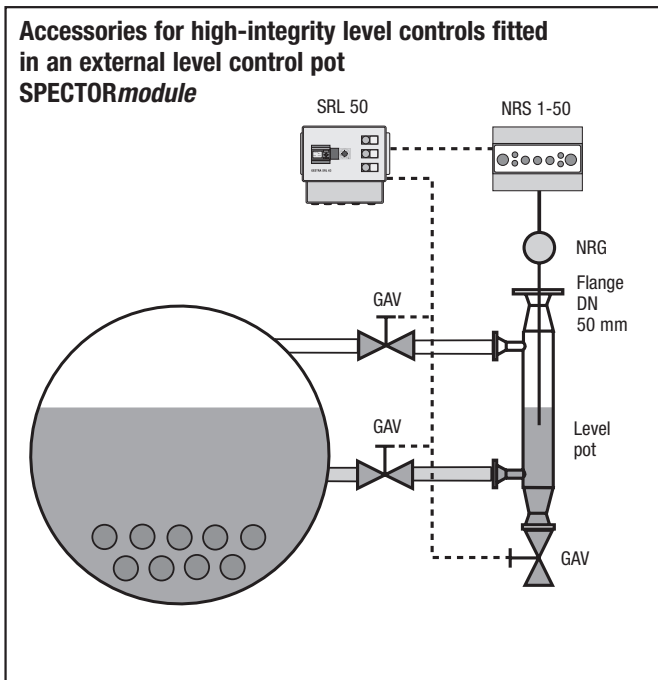
Feature	Value	Designation	MF 206-1STT 118 P / 214 P / 312 G >
Component	Level pot	MF	
Design: (side connection)	1 Side connection	10	
	2 Side connection	20	
	4 Side connection 90°r	40	
	4 Side connection 90°l	41	
	4 Side connection 180°	42	
	6 Side connection 90°R+90°L	60	
Nominal pressure	PN 16	4	
	PN 40	6	
	PN 63	7	
	PN 160	9	
Size	88.9	1	
	114.3	2	
Material	Steel type P235GH	S	
	High-temperature steel 16Mo3	W	
	Austenitic	A	
In accordance with	AD-Bulletin	A	
	TRD	T	
	Others	S	
Approved by	TÜV (if necessary)	W	
	Works inspector		
	Others	S	
Connection (N 1)	3/4" BSP	114 G	
	1" BSP	115 G	
	1 1/4" BSP	116 G	
	1 1/2" BSP	117 G	
	DN 50 mm	118 P	
	DN 80 mm	120 P	
Boiler connection (N 2)	DN 15 mm	212 P	
	DN 20 mm	214 P	
	DN 25 mm	215 P	
	DN 50 mm	218 P	
Drain connection (N 3)	1/2" BSP	312 G	
	DN 20 mm	314 P	
	DN 25 mm	315 P	
Side connection 3 + 4 (N 4)	DN 20 mm	414 P	not required in this example
	DN 25 mm	415 P	
Side connection 5 + 6 (N 5)	DN 20 mm	514 P	not required in this example
	DN 25 mm	515 P	
Centre distance	≤ 1500	ME 1500	Centre distance ME = 1500 mm
Length (top)		Spec. >	Length (top) ∅ 88.9 ≥ 190 mm
Length (bottom)		Spec. >	Length (bottom) ∅ 114.3 ≥ 230 mm
			Length (bottom) ≥ 50 mm



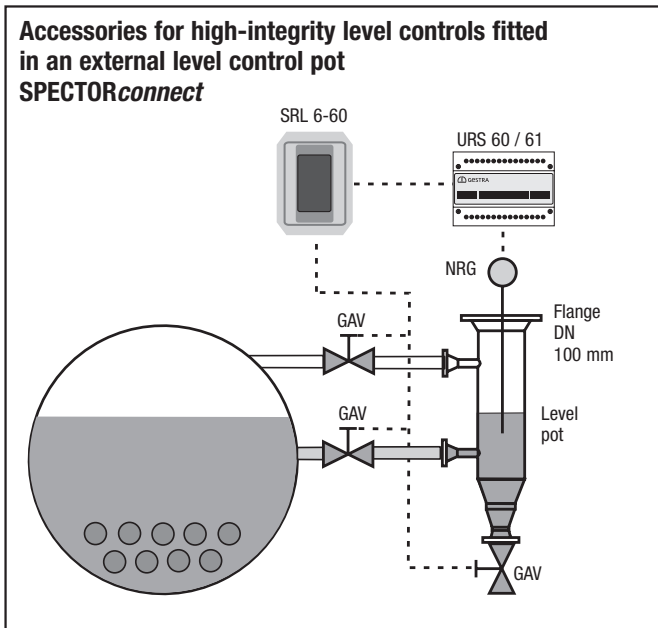
**Accessories for liquid level alarms fitted in external level control pots**



**Accessories for high-integrity level controls fitted in an external level control pot SPECTOR<sup>module</sup>**



**Accessories for high-integrity level controls fitted in an external level control pot SPECTOR<sup>connect</sup>**



Type	PN	Pressure/Temp. Ratings	
		P <sub>max</sub>	t <sub>max</sub>
MF 2061 STT <sup>1)</sup> GAV 36, DN 20 17/213, 1/2" BSP	40	28 bar	250 °C
MF 2071 STT <sup>2)</sup> GAV 136, DN 25	63	51 bar	275 °C
MF 2091 STT <sup>2)</sup> GAV 136, DN 25	160	75 bar	290 °C
MF 2091 WTT <sup>2)</sup> GAV 136, DN 25	160	100 bar 96 bar	311 °C 300 °C

<sup>1)</sup> Approval acc. to PED 2014/68/EU, module A1

<sup>2)</sup> Approval acc. to PED 2014/68/EU

Type	DN / PN	Pressure/Temp. Ratings	
		P <sub>max</sub>	t <sub>max</sub>
MF 2061 STT <sup>1)</sup> GAV 36-II GAV 36-I SRL 6-50	20 / 40	28 bar	250 °C
MF 2071 STT <sup>2)</sup> GAV 136-II GAV 136-I SRL 6-50	25 / 63	51 bar	275 °C
MF 2091 STT <sup>2)</sup> GAV 136-II GAV 136-I SRL 6-50	25 / 160	75 bar	290 °C
MF 2091 WTT <sup>2)</sup> GAV 136-II GAV 136-I SRL 6-50	25 / 160	100 bar 96 bar 96 bar	311 °C 300 °C 300 °C

<sup>1)</sup> Approval acc. to PED 2014/68/EU, module A1

<sup>2)</sup> Approval acc. to PED 2014/68/EU

Type	PN / PN	Pressure/Temp. Ratings	
		P <sub>max</sub>	t <sub>max</sub>
MF 2062 STT <sup>1)</sup> GAV 36-II GAV 36-I SRL 6-60	20 / 40	28 bar	250 °C
MF 2072 STT <sup>2)</sup> GAV 136-II GAV 136-I SRL 6-60	25 / 63	51 bar	275 °C
MF 2092 STT <sup>2)</sup> GAV 136-II GAV 136-I SRL 6-60	25 / 160	75 bar	290 °C
MF 2092 WTT <sup>2)</sup> GAV 136-II GAV 136-I SRL 6-60	25 / 160	100 bar 96 bar 96 bar	311 °C 300 °C 300 °C

<sup>1)</sup> Approval acc. to PED 2014/68/EU, module A2

<sup>2)</sup> Approval acc. to PED 2014/68/EU

More measuring pots see page 144

## Design

The probe works without any moving parts. The probe rod, which is insulated by a ceramic tube, is inserted through a hole in the probe flange such that pressure-tight sealing is ensured. The ceramic tube is closed at the lower end and covered by a protection tube. The electronic control unit is housed in the terminal box. The wiring is effected via a 6 pole connector with crimp connection.

## Operation

The principle of capacitance measurement is used to sense liquid levels. The probe rod and the protection tube form a capacitor, with air or the particular liquid being the dielectric. In electrically conductive liquids the probe insulation serves as dielectric. As the level rises or falls, the capacitance of this assembly changes, is converted in the integral measuring transducer into a signal, and is then fed to the associated electronic control unit.

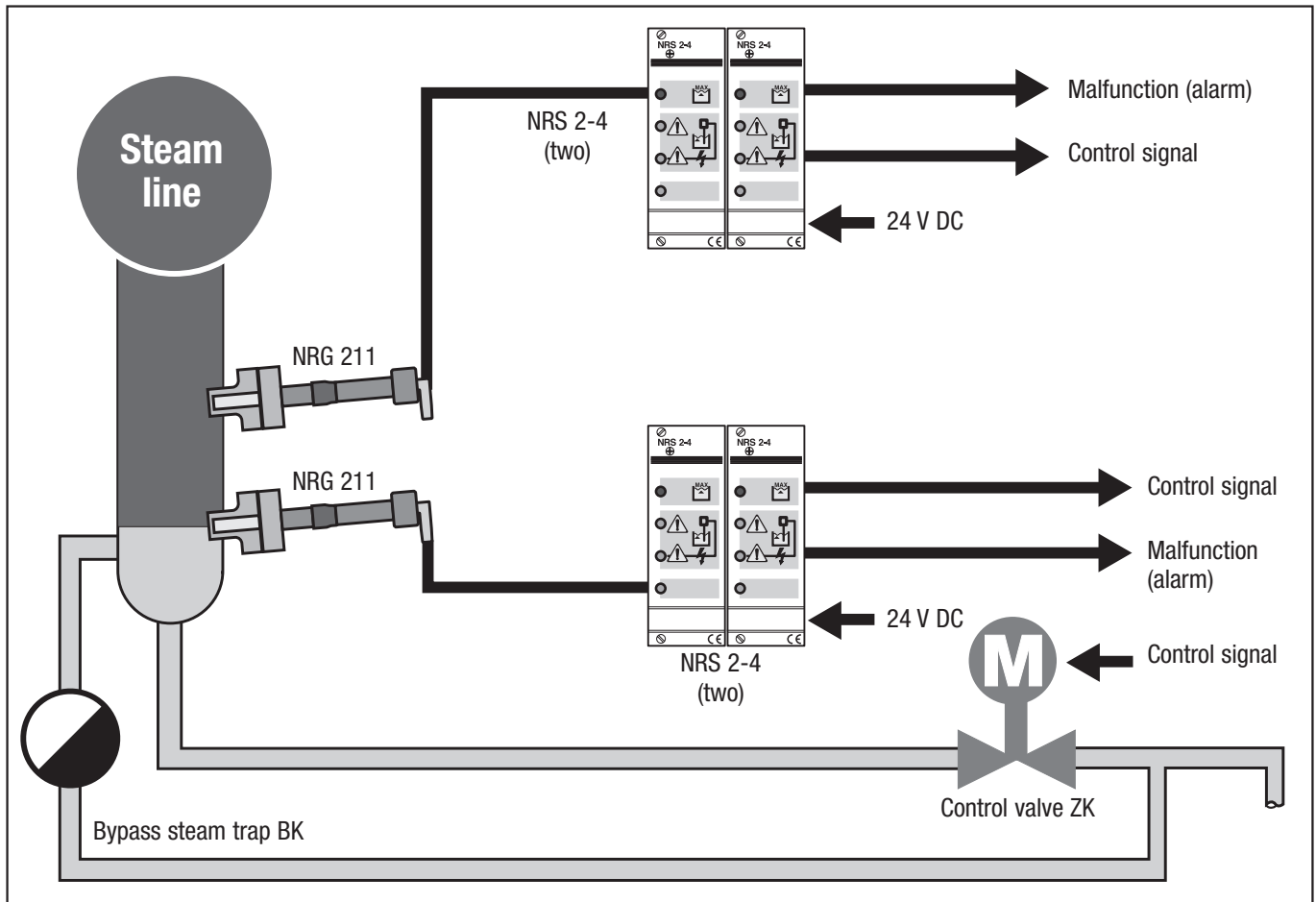
## NRG 211

In combination with level switch NRS 2-4 for indicating high-water level at very high pressures and temperatures (up to PN 320, 550 °C). Application in draining systems of conventional power stations and high-pressure steam boilers.

## NRS 2-4

The level switch NRS 2-4 is an analogue electronic amplifier for the capacitance electrode type NRG 211.

In combination with this level electrode the unit can detect high water level. In addition, the level switch evaluates possible malfunction signals coming from the electrode and monitors the electrode supply cable and can therefore be used as part of a controlled draining system in power stations.



Type	Material	PN		Stock code
NRG 211 *)	1.5415	320	200 bar at 450 °C	350100130 ≤ DN 100
			320 bar at 120 °C	350100140 > DN 100
	1.7380		200 bar at 500 °C	350100231 ≤ DN 100
			320 bar at 120 °C	350100241 > DN 100
	1.4922		230 bar at 550 °C	350100332 ≤ DN 100
			320 bar at 120 °C	350100342 > DN 100
NRS 2-4				3233142

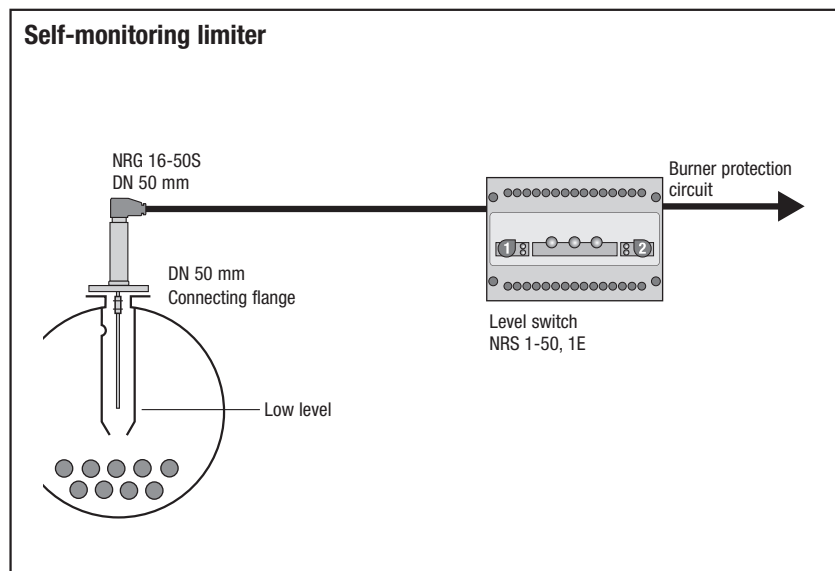
\*) with welding connection, nuts, bolts and seals for pipes  $\varnothing > \text{DN } 100$  or  $< \text{DN } 100$

### Description

Steam boiler equipment for marine applications has to comply with the same requirements as those placed on land installations. In addition to that further demands regarding environmental conditions such as climate, vibrations etc. have to be met.

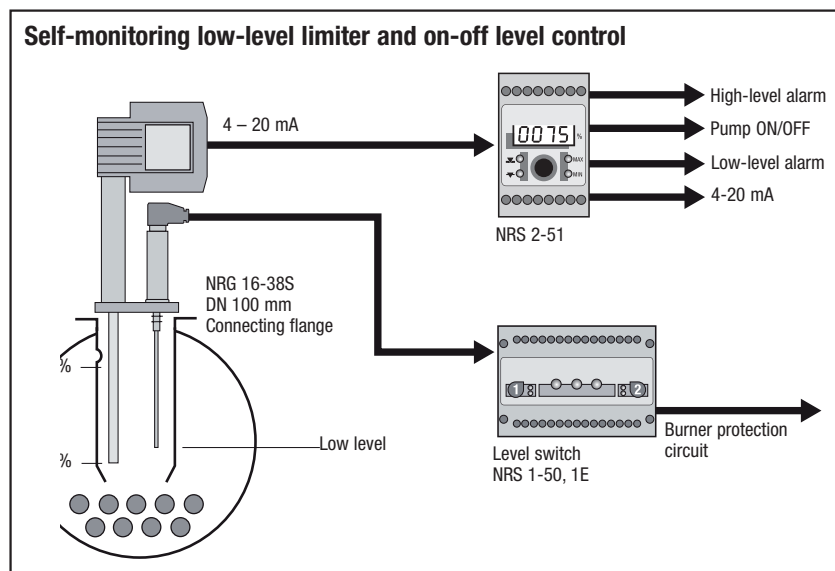
The acceptance certificates are to be issued by the classification society responsible for the ship's acceptance inspection.

**For marine applications see page 104.**



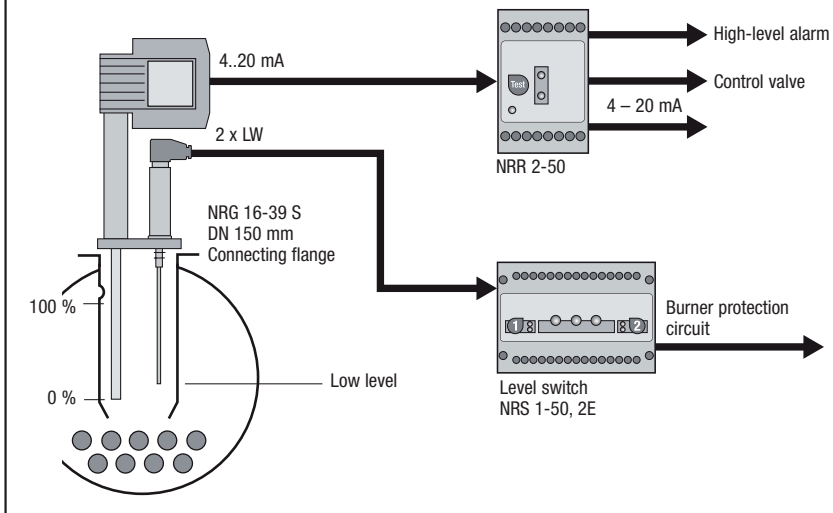
Type		PN	Stock code
NRG 16-50S	L = 1000 mm		31317742
NRS 1-50, 1E	24 V DC, 15s	40	31011415053
NRS 1-50, 2E	24 V DC, 15s		31012415053

Optional 100 – 240 V AC  
**NRS 1-50**, for 1 electrode 31011415053  
**NRS 1-50**, for 2 electrodes 31012415053



Type	PN	max. length supplied	Stock code
NRG 16-38S 24 V DC	40	779	3582044.57
		884	3582045.57
		989	3582046.57
		1095	3582047.57
		1513	3582051.57
NRS 1-50, 1E, 24 V DC			3101141513
NRS 2-51, 24 V DC			3021141

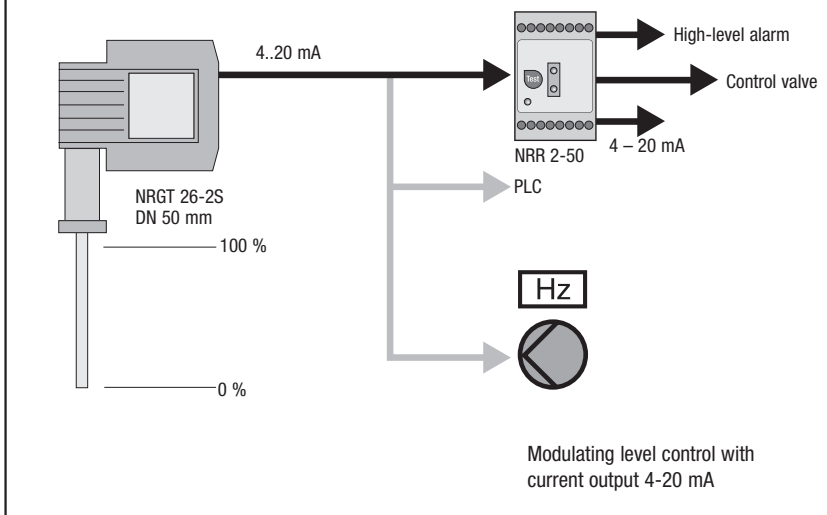
**Self-monitoring limiter and modulating level control**



Type	PN	max. length supplied	Stock code
<b>NRG 16-39 S</b>	40	779	3584044
		884	3584045
		989	3584046
		1199	3584047
		1513	3584051
<b>NRS 1-50, 2E, 24 V DC, 15s, 1x</b>			310124153
<b>NRR 2-50, 24 V DC</b>			3031041

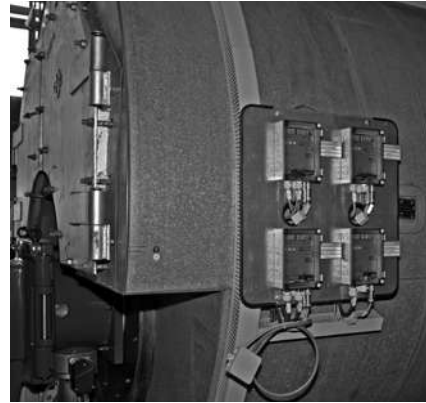
Optional  
**NRS 1-50, 230 V, 50-60 HZ** .50.53

**Compact system for modulating level control**



Type	PN	max. length supplied	Stock code
<b>NRGT 26-2S</b> 24 V DC	40	316	3212052
		420	3212053
		526	3212054
		631	3212055
		737	3212056
		842	3212057
		947	3212058
	1053	3212059	
	1579	3212060	
<b>NRR 2-50, 24 V DC</b>			3031041

Optional  
**NRGT 26-1S, 115 V 50-60 HZ** .52  
**NRGT 26-1S, 230 V, 50-60 HZ** e. g. 3211452.



## Industrial Electronics

	Page
<b>Temperature</b> detection and control SPECTOR <i>connect</i> .....	132 – 133
<b>Temperature</b> detection and control SPECTOR <i>module</i> .....	134 – 135
<b>Conductivity Monitoring</b>	
Basic principles · application .....	136
Technical specification.....	137
Conductivity monitoring SPECTOR <i>connect/compact</i> .....	138
Conductivity monitoring SPECTOR <i>connect/compact</i> with automatic temperature compensation ..	139
Conductivity control with manual or automatic temperature compensation SPECTOR <i>module</i> .....	140 – 141
Conductivity monitoring with automatic temperature compensation LRG 16-9 / LRS 1-7 .....	142 – 143
<b>Ancillaries</b>	
Tee pieces, level pots.....	144
<b>Continuous blowdown valves</b> .....	145 – 146
<b>Intermittent programm-controlled blowdown systems</b> .....	147 – 148
<b>Rapid-action intermittent blowdown valves</b> .....	149 – 150
<b>Contamination detectors for condensate and process liquids</b>	
Detecting ingress of oil in condensate systems and marine installations .....	151 – 152
Ingress of oil in cooling water systems digital indicator.....	153
<b>Flowmeters for steam, gases and liquids</b> .....	154

### Technical Data of Temperature Sensor

Type	PN	Connections			Pt 100	Max. temperature	Ambient temperature	Lengths available L in mm
		Screwed	TRV...	Welding stub				
TRG 5-63	40	½"	5-60	–	1	400 °C	100 °C	100 to 400
TRG 5-64	40	½"		–	2	400 °C	100 °C	100 to 400

Accuracy class A

TRG 5-65	160	–		form 4	1	540 °C	100 °C	115
TRG 5-66	160	–		form 4	1	540 °C	100 °C	140
TRG 5-67	160	–		form 4	1	600 °C	100 °C	200
TRG 5-68	160	–		form 4	1	600 °C	100 °C	200

Accuracy class A/B

### Technical Data of Temperature Pre-Amplifier

Type	Output	Adjustment range	Auxiliary power	Version	Performance test	TÜV	EC
TRV 5-60	CANopen	650 °C	24 V DC	a	annual	●	●

### Technical Data of Temperature Switches / Controllers / Indicators

Type	Outputs		Control characteristic			Mains supply Standard	Version			Performance test in acc. with DIN 3440	TÜV approval	EC
	Switchpoint	0/4-20 mA	MIN	MAX	Δ T		b	c	e			
URS 60	1	–	–	–	–	230 V DC	●	–	–	annual	●	●
URS 61	1	–	–	–	–	230 V DC	●	–	–	annual	●	●

#### URS 60 / 61 Controller with Safety Function

Self-monitoring temperature limiter with periodic self-checking feature to be used in conjunction with a resistance thermometer type TRG 5-6.. and pre-amplifier TRV 5-60. The equipment operates as a safety temperature controller, or in conjunction with an external lock-out in accordance with DIN EN 50156 as a safety temperature limiter. An alarm is given as soon as the temperature exceeds a preset limit value. The TRV 5-60 features digital indicators for the actual temperature and switching-off temperature.

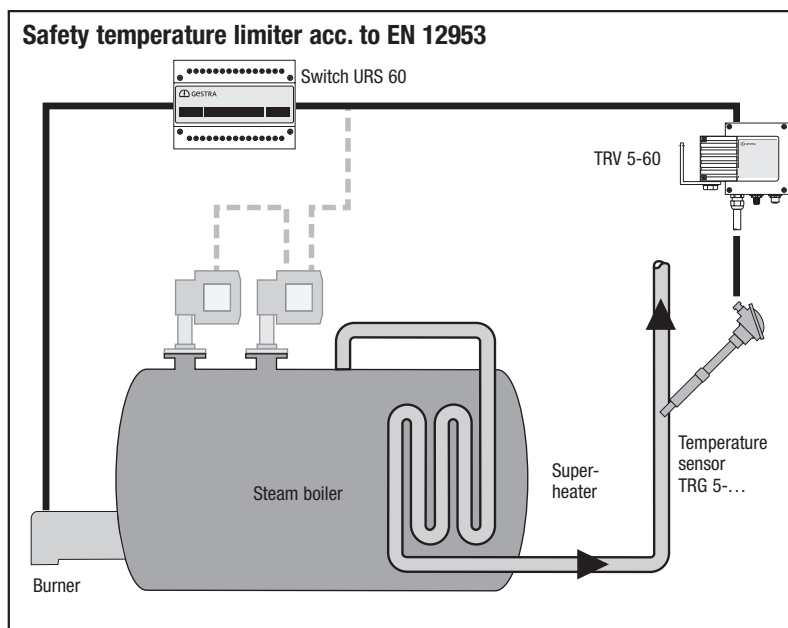
#### Examples of Installation

- Superheaters for steam boiler plants operating without constant supervision EN 12953.
- Superheater cascades with up to 4 steps
- In pressurized hot-water plants as temperature limiter for the secondary circuit in accordance with 12952/..53.
- Furnaces in accordance with DIN 30 683 up to 800 °C.
- Control systems for product heating or cooling

#### Designs

- a = Field case
- b = Plug-in unit in plastic case
- c = 19" slide-in unit
- e = Case for panel mounting

**Safety temperature limiter acc. to EN 12953**



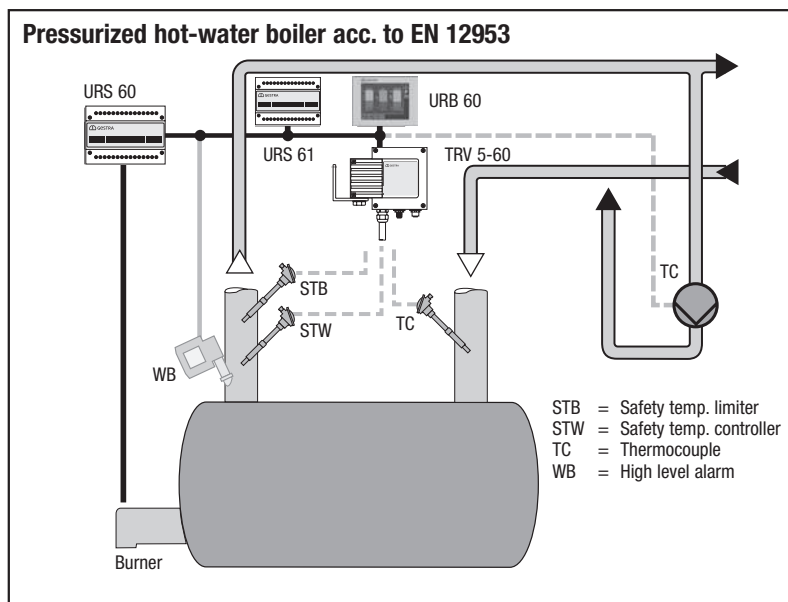
**Safety temperature limiter**

Combination	PN	Stock code
Pt 100 T < 650 °C		
TRG 5-67 L = 200 mm	160	2671822
TRG 5-68 L = 200 mm	160	2671923
TRV 5-60 24 V, DC	-	
URS 60 24 V, DC	-	

Combination	PN	Stock code
Pt 100 T < 540 °C		
TRG 5-65 L = 115 mm	160	2671611
TRG 5-66 L = 140 mm	160	2671712
TRV 5-60 24 V, DC	-	2691040
URS 60 24 V, DC	-	3222841

Type approval  
TÜV SWB/SHWS/STW (STB) xx-413  
EG MUC-03-07-103881-004  
DIN CERTO STW (STB) 117906  
SIL 2

**Pressurized hot-water boiler acc. to EN 12953**

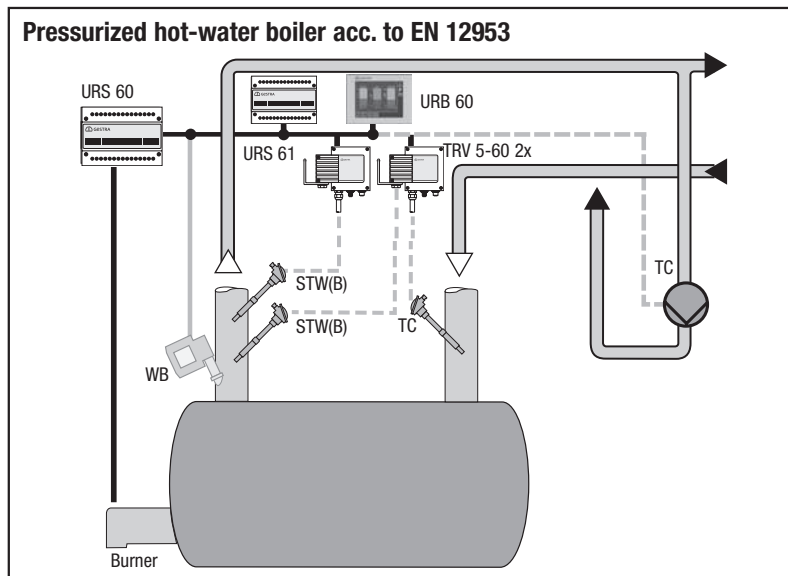


**Pressurized hot-water boiler**

Combination	PN	Stock code
Pt 100 T < 400 °C		
TRG 5-63 L = 100 mm 3x	40	2671110
TRV 5-60 24 V, DC 1x	-	2691040
NRG 16-60	40	3514041
URS 60	-	3222841
URS 61	-	3228941
URB 60	-	3382043

TÜV STW 1182 06  
DIN CERTO TR/TW 118206  
SIL 2

**Pressurized hot-water boiler acc. to EN 12953**



**Pressurized hot-water boiler**

Combination	PN	Stock code
Pt 100 T < 400 °C		
TRG 5-63 L = 100 mm 3x	40	2671110
TRV 5-60 24 V, DC 2x	-	2691040
NRG 16-60	40	3514041
URS 60	-	3222841
URS 61	-	3228941
URB 60	-	3382043

### Technical Data of Temperature Sensor

Type	PN	Connections			Pt 100	Max. temperature	Ambient temperature	Lengths available L in mm
		Screwed	TRS...	Welding stub				
TRG 5-63	40	½"	5-50/52	–	1	400 °C	100 °C	100 – 400
TRG 5-64	40	½"	5-50/52	–	2	400 °C	100 °C	100 – 400

Accuracy class A

TRG 5-65	160	–	5-50/52	form 4	1	540 °C	100 °C	115
TRG 5-66	160	–	5-50/52	form 4	1	540 °C	100 °C	140
TRG 5-67	160	–	5-50/52	form 4	1	600 °C	100 °C	200
TRG 5-68	160	–	5-50/52	form 4	1	600 °C	100 °C	200

Accuracy class A/B

### Technical Data of Temperature Switches / Controllers / Indicators

Type	Outputs		Control characteristic			Mains supply Standard	Version			Performance test in	Adjustable temp. range	Approved	
	Switchpoint	4-20 mA	MIN	MAX	Δ T		b	c	e			TÜV	EC
TRS 5-50	1	(optional)	–	●	–	24 V DC	●	–	–	annual	0 °C – 650 °C	●	●
TRS 5-52	2	4-20 mA	●	●	–	24 V DC	●	–	–	–	0 °C – 650 °C	●	

#### TRS 5-50

Self-monitoring temperature switch with periodic self-checking feature to be used in conjunction with a resistance thermometer type TRG 5-....

The equipment operates as a safety temperature controller, or in conjunction with an external lock-out in accordance with EN 14597 as a safety temperature limiter. An alarm is given as soon as the temperature exceeds a preset limit value. Via the optional current output the temperature can be indicated externally at the same time. The system is **SIL 3** certified.

#### Examples of Installation

- Superheaters for steam boiler plants operating without constant supervision EN 12953.
- In pressurized hot-water plants as temperature limiter for the secondary circuit in accordance with EN 12952/..53.
- Furnaces in accordance with DIN 30 683 up to 650 °C.
- Return-temperature control acc. to EN 12953.
- Control systems for product heating or cooling.

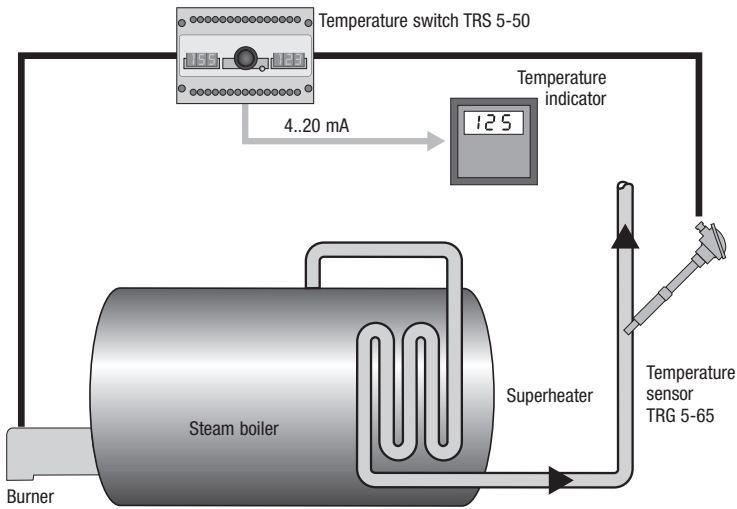
#### TRS 5-52

The min./max. temperature switch TRS 5-52 in combination with temperature sensor TRG 5-63, TRG 5-64, TRG 5-65, TRG 5-66, TRG 5-67 and TRG 5-68 serves as temperature controller according to EN 14597. Application in steam boilers, pressurized hot-water plants operating without constant supervision EN 12953 as well as any other type of heat generator. The equipment raises an alarm when the preset MIN/MAX limit value is attained. Optional current output 4-20 mA for actual value indication.

#### Designs

- a = Field case
- b = Plug-in unit in plastic case
- c = 19" slide-in unit
- e = Case for panel mounting

**Steam boiler acc. to EN 12952/53**



**Safety temperature limiter acc. to EN 12952/53**

Equipment combination	PN	Stock code
Pt 100 T < 540 °C		
TRG 5-66 L = 140 mm	160	2671712
TRS 5-50 24 V DC	–	3061141

**Type approval**

**DIN CERTO STW/STB 1230**

**EG Z-IS-TAF-MUC-12-10-103881-009**

**SIL 3**

Optional:

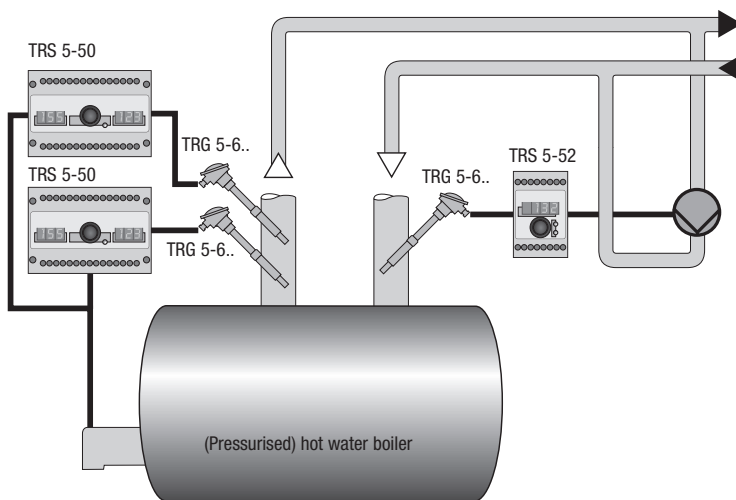
100-240 VAC

4-20 mA (0...650 °C)

.50

.57

**Pressurized hot-water boiler acc. to EN 12952/53**



**Return-temperature controller acc. to EN 12952/53**

Equipment combination	PN	Stock code
Pt 100 T < 400 °C		
TRG 5-63 L = 160 mm	40	2671113
TRS 5-50 24 V DC	–	3061141
TRS 5-52 24 V DC		3061241

**Type approval**

**DIN CERTO TW 1232**

Optional:

TRS 5-50, 100-240 VAC

4-20 mA (0...650 °C)

.50

.57

## Function

All boiler water contains some dissolved solids. These impurities are constantly concentrated due to the evaporation process, i. e. the total dissolved solids (TDS) level increases. If the TDS level were to exceed the permissible maximum stipulated by the boiler manufacturer, foaming and carry-over would take place, leading to contamination of the steam distribution system. As a result, the operational reliability of the plant will be impaired, and the boiler and steam system can be badly damaged.

Effective blowdown can be provided by use of blowdown controller in conjunction with conductivity electrode and continuous blowdown valve BAE 46-211/ball valve 510.

Deposits of fine suspended solids forming scale on the heating surfaces and settling at the bottom of the boiler are the result of residual hardness or an excessive phosphate content within the boiler water. These scale formations form a heat insulating layer, which means that the heat transfer surfaces are now subject to design pressure, but at elevated temperature, which in turn can cause deformation and even an explosion. The answer to this problem is the use of continuous blowdown timer TA 5 / 10, solenoid valve 6340 and intermittent blowdown valve MPA 46 / MPA 47 / MPA 48 / MPA 110.

## Application

Steam boilers	Boiler water, feedwater and condensate monitoring
District-heating plants	Condensate monitoring
Paper industry	Condensate monitoring
Pulp industry	Condensate monitoring
Catering kitchens	Condensate monitoring
Water-treatment plants	Conductivity monitoring
Dyeworks	Dyebath monitoring
Filling/bottling plants	Detection of different products
Electric boilers	Maintaining defined conductivity
Cooling towers	Continuous blowdown control
Pickling baths	Quality monitoring

## Basics

Which water values must be adhered to and where can I find a specification of the demands made on boiler water monitoring through continuous and intermittent blowdown?

The requirements made on make-up, boiler and heating water are stipulated in the European Standards

EN 12952-12 (water-tube boilers) and EN 12953-10 (fire-tube boilers).

For more information refer to:

VdTÜV/AGFW Bulletins

- TCh 1452: Quick-steaming unit
- TCh 1453: Steam generator ≤ 68 bar
- TCh 1466: Hot-water generator

VGB Guideline

- VGB-R450L: Water-tube boiler

Where can I find more information on boiler water monitoring? The European Standards EN 12952-7 and EN 12953-6 (Equipment) as well as the Ordinance of Industrial Safety ("BetrSichV") and the associated Regulations for Industrial Safety TRBS 2141, part 2 will help.

## Principles of Measurement

### Conductivity measurement, 2-electrode system

An alternating voltage is applied to two electrode tips (polarization). The current flow is directly proportional to the specific conductivity of the fluid.

Particularly suitable for pure fluids applications up to 500 µS/cm (e.g. steam regenerators, condensate/feedwater tanks, steam generating units > PN 40 etc.).

### Conductivity measurement, 4-electrode system

The 4-electrode method is used in order to improve the quality of the measuring result and to avoid polarisation. This measuring method separates the current-carrying from the voltage-carrying measuring electrodes, which means that the measurement is performed without current and therefore free of polarisation and that dirt deposits can be compensated to a large extent. Particularly well suited for boiler water with high conductivities (e.g. industrial steam boilers up to PN 40).

### Temperature compensation (T° Comp)

In plants with temperatures above 25 °C the influence of temperatures on conductivity is an important factor to be considered. Due to electrolytic dissociation (desintegration of a compound in a solution) conductivity increases considerably:

Degree of dissociation  $\alpha \approx 2 - 3 \text{ } \%/^{\circ}\text{C}$ .

**Manual** temperature compensation is suitable for plants with steady service temperatures. The actual conductivity is obtained by carrying out a comparison measurement (calibration) to offset thermal errors.

**Automatic** temperature compensation (ATC) is ideal for plants with varying service temperatures in order to make conductivity values independent of changes in ambient temperatures. The measured and the indicated values always refer to 25 °C and are constantly compensated for changes in pressure and temperature.

### Technical Data of Conductivity Electrodes

Type	PN	Connection	Max. service pressure bar/ saturation temperature	Integrated temp. sensor	Max. admissible ambient temp. at terminal box	Lengths supplied mm	TÜV approval	EC
LRGT 16-3	40	1"	32 / 238 °C	●	70 °C	200 – 1000	●	●
LRGT 16-4	40	1"	32 / 238 °C	●	70 °C	180 – 1000	●	●
LRGT 17-3	63	1"	60 / 275 °C	●	70 °C	200 – 1000	●	●
LRG 16-60	40	1"	32 / 238 °C	●	70 °C	200 – 1000	●	●
LRG 16-61	40	1"	32 / 238 °C	●	70 °C	180 – 1000	●	●
LRG 17-60	63	1"	60 / 275 °C	●	70 °C	200 – 1000	●	●
LRG 16-4	40	3/8"	32 / 238 °C	–	70 °C	100 – 1200	●	–
LRG 16-9	40	1/2"	32 / 238 °C	●	70 °C	43	●	●

### Technical Data of Electronic Control Units

Type	Outputs		Main supply Standard	Protection	Design				Measuring range (recommended)	TÜV approval	EC
	switchpoints	0/4 – 20 mA			a	b	c	e			
<b>SPECTORconnect</b>											
LRG 16-60 / LRG 16-60 / LRG 17-60	3	1	24 V DC	IP 40	–	●	–	–	0.5 to 6000 µS/cm (0.5 to 500 µS/cm)	●	●
LRG 16-60 / LRG 16-61	3	1	24 V DC	IP 40	–	●	–	–	50 to 10000 µS/cm	●	●
<b>SPECTORModule</b>											
LRS 1-50 / LRG 16-4 / LRG 16-9	2		24 VDC	IP 40	–	●	–	–	0.5 to 10000 µS/cm	●	●
LRR 1-50 / LRG 16-4 / LRG 16-9	3	1	24 VDC	IP 40	–	●	–	–	0.5 to 10000 µS/cm	●	●
LRR 1-51 / LRGT 16-3 / LRGT 17-3	3	1	24 VDC	IP 40	–	●	–	–	0.5 to 6000 µS/cm (0.5 to 500 µS/cm)	●	●
LRR 1-51 / LRGT 16-3	3	1	24 VDC	IP 40	–	●	–	–	50 to 6000 µS/cm	●	●
LRR 1-52 / URB 55 / LRG 16-4 / LRG 16-9	4	1	24 VDC	LRR IP 40 URB 55 IP 65	–	●	–	●	0.5 to 10000 µS/cm	●	●
LRR 1-53 / URB 55 / LRGT 16-1 / LRGT 17-1	4	1	24 VDC	LRR IP 40 URB 55 IP 65	–	●	–	●	0.5 to 6000 µS/cm (0.5 to 500 µS/cm)	●	●
LRR 1-53 / URB 55 / LRGT 16-4	4	1	24 VDC	LRR IP 40 URB 55 IP 65	–	●	–	●	50 to 10000 µS/cm	●	●
<b>SPECTORcompact</b>											
LRGT 16-3	–	1	24 VDC	IP 65	–	–	–	–	0.5 to 6000 µS/cm (0.5 to 500 µS/cm)	●	●
LRGT 16-4	–	1	24 VDC	IP 65	–	–	–	–	50 to 10000 µS/cm	●	●
LRGT 17-3	–	1	24 VDC	IP 65	–	–	–	–	0.5 to 6000 µS/cm (0.5 to 500 µS/cm)	●	●

#### Designs

- a = Field case
- b = Plug-in unit in plastic case
- c = 19" slide-in unit
- e = Case for panel mounting

### LRG 16-60 / 17-60

The conductivity electrode LRG 16-60 / 17-60 works acc. to the conductivity measurement principle.

### LRG 16-61

The conductivity electrode LRG 16-61 features 4 electrodes working according to the conductivity measurement principle.

The LRG 16-6x / 17-60 is designed for signalling the TDS value (conductivity) in electrically conductive liquids:

- Conductivity permanently within predefined control range of the electrode.

The LRG 16-6x / 17-60 is to be used in conjunction with the conductivity controller LRR 1-60 or further system components.

The conductivity data are transferred to the conductivity controller or other system components via CAN data bus.

### LRR 1-60

The conductivity controller LRR 1-60 is used in conjunction with conductivity electrode LRG 16-60 / 17-60 for conductivity monitoring and control. The conductivity controller has the following functions:

- Two limits with one switchpoint each (high-level alarm, low-level alarm) or high-level alarm and intermittent blowdown program control.
- Three-position control with predefined proportional band.
- Conductivity maintained within the control band defined by preset limits.

The LRR 1-60 features an output for a standard signal 4-20 mA. The conductivity data are transferred from the electrode LRG 16-60/ LRG 17-60 to the conductivity controller via CAN data bus.

### URS 60

The safety controller in conjunction with the conductivity electrode LRG 16-6x/ 17-60 forms a conductivity measuring and limiting system. The conductivity limiter has the following functions:

- Conductivity limiters switch off the heating when the max. conductivity limit is exceeded

### URB

see page 112

### LRGT 16-3 / LRGT 17-3

The compact system LRGT 16-3 / 17-3 features 2 electrodes working acc. to the conductivity measurement principle.

### LRGT 16-4

The compact system LRGT 16-4 features 4 electrodes working acc. to the conductivity measurement principle.

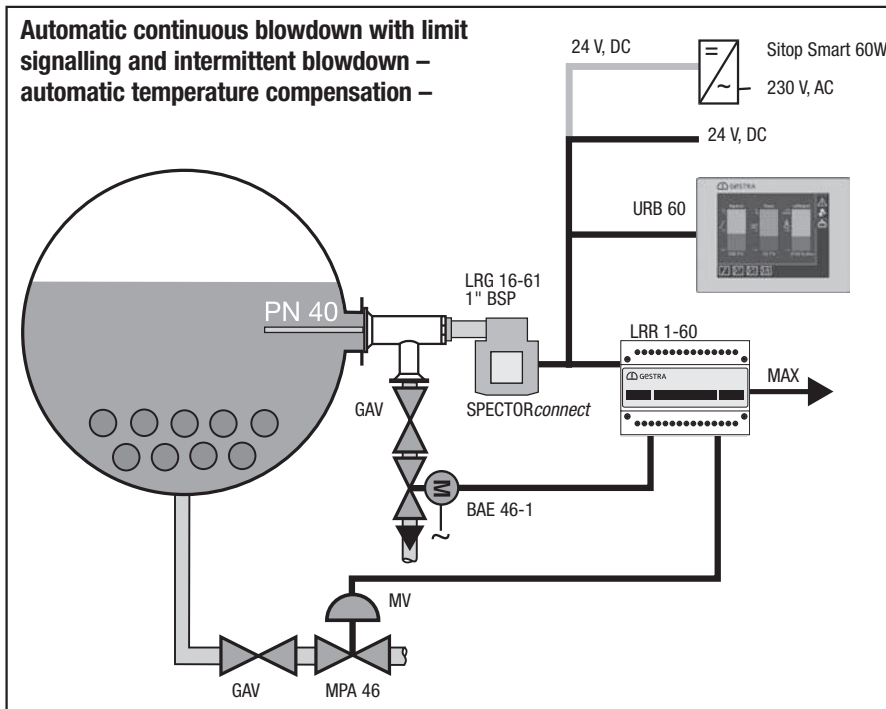
The LRGT 16-x / 17-3 is designed for signalling the TDS value (conductivity) in electrically conductive liquids:

- Conductivity permanently within predefined control range of the electrode.

The LRGT 16-x / 17-3 has a conductivity transmitter integrated in the terminal box for producing a standard signal 4-20 mA.

### Sitop

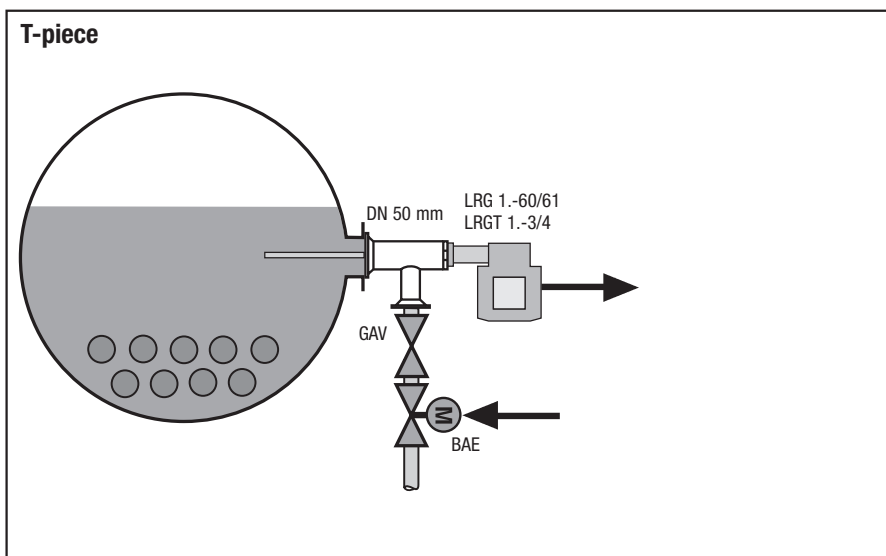
Power supply unit Sitop PSU/Smart serves as a 24 V DC power supply unit for the compact system LRGT 16-3 / LRGT 16-4 / LRGT 17-3.



SPECTORconnect	PN	Stock code
<b>LRG 16-61</b> , 600 mm Tee piece 50/25 <sup>1)</sup>	40	3791547 3761502
<b>LRR 1-60</b>		3816041
<b>URB 60</b>		3386043
<b>BAE 46-1</b>		
< DN 15 mm	40	3891200
< DN 20 mm	40	3891400
< DN 25 mm	40	3891500
< DN 40 mm	40	3891700
< DN 50 mm	40	3891800
<b>MPA 46</b>		
< 6 t/h DN 25 mm	40	3661500
< 28 t/h DN 40 mm	40	3661700
Solenoid valve 6340 C ¼" BSP Strainer GSF 335 ½" BSP Reducer ½" BSP – ¼" BSP	40	440267
<b>LRG 17-60</b> , 600 mm Tee piece 50/25 <sup>1)</sup>	63	3792047 1502890
<b>LRR 1-60</b>		3816041
<b>URB 60</b>		3386043
<b>BAE 47</b>		
< DN 25 mm	63	3901500
< DN 40 mm	63	3901700
< DN 50 mm	63	3901800
<b>MPA 47</b>		
< 6 t/h DN 25 mm	63	3671500
< 28 t/h DN 40 mm	63	3671700
Solenoid valve 6340 C ¼" BSP Strainer GSF 335 ½" BSP Reducer ½" BSP – ¼" BSP		440267

<sup>1)</sup> Approval in acc. with PED 2014/68/EU, module A

Type approval: TÜV WÜL xx-007  
EG BAF-MUC-12-05-103881-003



SPECTORcompact	PN	Stock code
<b>LRGT 16-4</b> , 380 mm	40	3851545
<b>Safety power supply unit PSU 100 C</b>		3373141
<b>LRGT 17-3</b> , 400 mm	63	3852045
<b>Safety power supply unit PSU 100 C</b>		3373141

TÜV and EC type approval only in combination with LRR 1-5.



**T-piece connector**

Approved in acc. with PED 2014/68/EU PN 40

Approved in acc. with PED 2014/68/EU PN 63

## Manual Compensation

### LRG 16-4

#### Application and Purpose

The LRG 16-4 in conjunction with conductivity switch LRS or conductivity controller LRR detects the electrical conductivity of process or boiler water.

## Automatic Compensation

### TRG 5-6.

#### Application and Purpose

The TRG 5-6.. continuously detects the temperature and compensates for any temperature influence on the conductivity reading.

### LRG 16-9

#### Application and Purpose

The LRG 16-9 detects the electrical conductivity and, by means of the integrated resistance thermometer Pt 100, the temperature of feedwater, condensate, process and boiler water.

### LRS 1-50

#### Application and Purpose

The LRS 1-50 is a compact-design limit switch for signaling MIN and MAX limits and for on/off continuous blowdown control (valve OPEN/CLOSED) with MAX limit contact for automatic boiler blowdown in steam boilers, evaporators, pure steam generators etc. A separate resistance thermometer Pt 100 can be connected to the equipment to provide automatic temperature compensation.

### LRR 1-50

#### Application and Purpose

The LRR 1-50 is a compact-design continuous blowdown controller for automatic 3-position continuous blowdown control (valve OPEN/OPERATION/CLOSED) with a MAX limit contact for automatic boiler blowdown in steam boilers, evaporators, pure steam generators etc. A separate resistance thermometer Pt 100 can be connected to the equipment to provide automatic temperature compensation.

#### Design of LRS 1-50 / LRR 1-50/51

Plastic enclosure for installation in control cabinet, with removable terminal strip. Installation via 35 mm standard rail.

### LRR 1-52

#### Application and Purpose

The LRR 1-52 is a continuous blowdown controller for automatic 3-position continuous blowdown control (valve OPEN/OPERATION/CLOSED) with MIN and MAX limit contacts for automatic boiler blowdown in steam boilers, evaporators, pure steam generators etc. The associated operating & display unit URB is mounted in the front panel and is used for setting the parameters in the controller and viewing numerical indication and bar graphs of actual value, setpoint, value of manipulated variable and trend graphs.

#### Design

The continuous blowdown controller LRR is inside a plastic enclosure for installation in control cabinet and provided with a removable terminal strip. Installation via 35 mm standard rail. The operating & display unit URB is mounted in the front panel of the control cabinet.

## Automatic temperature compensation

### LRGT 16-3 / 17-3

#### Application and Purpose

The compact system LRGT 16-3 / 17-3 works according to the conductometric measuring method using two measuring electrodes and features an in-built resistance thermometer Pt 1000.

### LRGT 16-4

#### Application and Purpose

The compact system LRGT 16-4 works according to the conductometric measuring method using four measuring electrodes. Any effects caused by polarisation or contamination are almost entirely compensated for. In addition, the equipment features an integrated resistance thermometer Pt 1000.

Both systems LRGT 1.-3 and LRGT 16-4 have an in-built conductivity transmitter that generates a standardized signal 4 – 20 mA.

### LRR 1-51

#### Application and Purpose

The LRR 1-51 is a compact-design continuous blowdown controller for automatic 3-position blowdown control (valve OPEN/OPERATION/CLOSED) with MIN and MAX limit contacts for automatic boiler blowdown in steam boilers, evaporators, pure steam generators etc. The compact system LRGT 16-3/4 or LRGT 17-3 provides automatic temperature compensation.

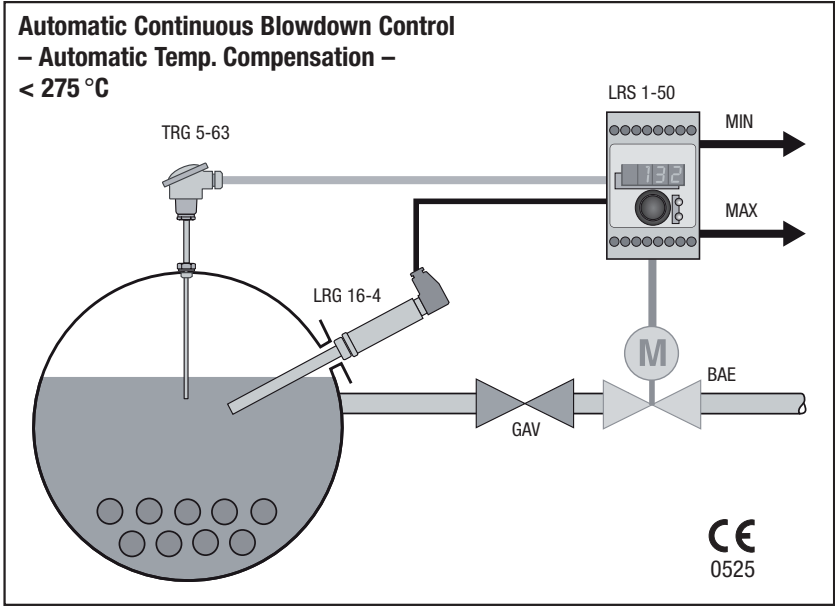
### LRR 1-53

#### Application and Purpose

The LRR 1-53 is a continuous blowdown controller for automatic 3-position blowdown control (valve OPEN/OPERATION/CLOSED) with MIN and MAX limit contacts for automatic boiler blowdown in steam boilers, evaporators, pure steam generators etc. The associated operating & display unit URB is mounted in the front panel and used for setting the parameters in the controller and viewing the numerical values and bar graphs of actual value, setpoint, value of manipulated variable and trend graphs.

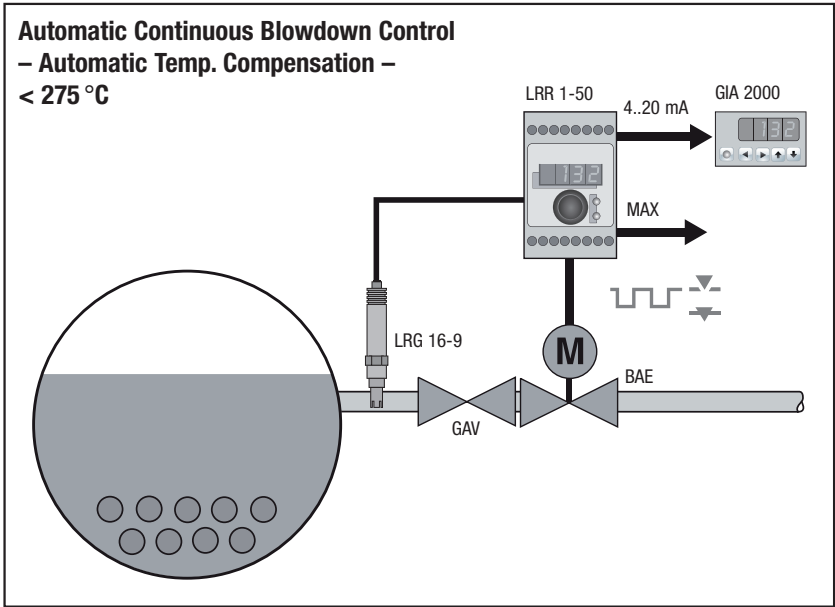
#### Design

The continuous blowdown controller LRR is inside a plastic enclosure for installation in control cabinet and provided with a removable terminal strip. Installation via 35 mm standard rail. The operating & display unit URB is mounted in the front panel of the control cabinet.



System components	PN	Stock code
LRG 16-4 400 mm, 3/8"	40	3772245
TRG 5-63 160 mm, 1/2"	40	2671113
LRS 1-50 24 V DC		3041041
BAE 46-3 DN 20, 230 V AC	40	3891403

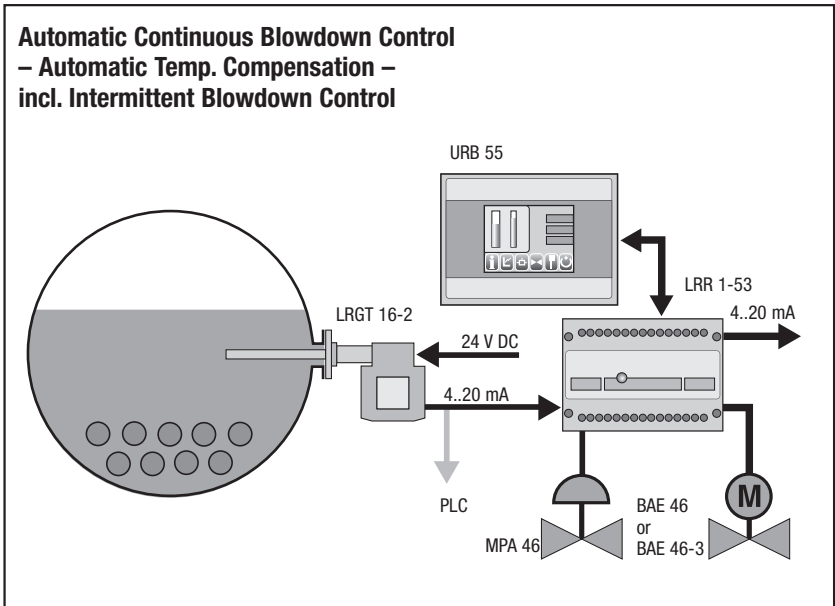
Type approval: TÜV WÜL xx-018  
 EG Z-IS-TAF-MUC 12 08 103881 007



System components	PN	Stock code
LRG 16-4 400 mm, 3/8"	40	3772245
TRG 5-63 160 mm, 1/2"	40	2671113
LRG 16-9 incl. Pt 100	40	3771839
Connecting cable Jack/pin 30 m		1502565
LRR 1-50 24 V DC		3041541
BAE 46-3 DN 20, 230 V AC	40	3891403
BAE 46-3 DN 20, 230 V AC	40	3891403

System components	PN	Stock code
LRGT 16-3 400 mm, 1"	40	3851045
LRGT 17-3 400 mm, 1"	63	3852045
LRGT 16-4 380 mm, 1"	40	3851545
LRR 1-51 24 V DC		3042141
BAE 46-3 DN 20, 230 V AC	40	3891403
BAE 47 DN 25, 230 V AC	63	3901500

Type approval: TÜV WÜL xx-017  
 EG Z-IS-TAF-MUC 12 08 103881 008



System components	PN	Stock code
LRG 16-4 400 mm, 3/8"	40	3772245
TRG 5-63 160 mm, 1/2"	40	2671113
LRR 1-52 24 V DC		3042241
BAE 46-3 DN 20, 230 V AC	40	3891403
BAE 46 DN 40, 230 V AC	40	3891700

System components	PN	Stock code
LRGT 16-3 400 mm, 1"	40	3851045
LRGT 17-3 400 mm, 1"	63	3852045
LRGT 16-4 380 mm, 1"	40	3851545
LRR 1-53 24 V DC		3042341
BAE 46-3 DN 20, 230 V AC	40	3891403
BAE 46 DN 40, 230 V AC	40	3891700
BAE 47 DN 25, 230 V AC	63	3901500

Type approval: TÜV WÜL xx-017  
 EG Z-IS-TAF-MUC 12 08 103881 008

If an independent valve position indicator is required, please choose a BAE actuator with feedback potentiometer and add suffix -1 to the type designation.

## Automatic Temp. Compensation

### LRG 16-9

#### Purpose and Application

The LRG 16-9 in conjunction with LRS 1-7a monitors the electrical conductivity as well as the temperature of process, condensate, boiler and feed water thanks to the integrated resistance thermometer. The system is used for limit monitoring and/or automatic continuous boiler blowdown.

#### Design

The conductivity electrode LRG 16-9 works with 2 electrodes and uses the electrical conductivity of water for measurement. The integrated Pt 100 measures the temperature, thereby enabling automatic temperature compensation.

### LRS 1-7

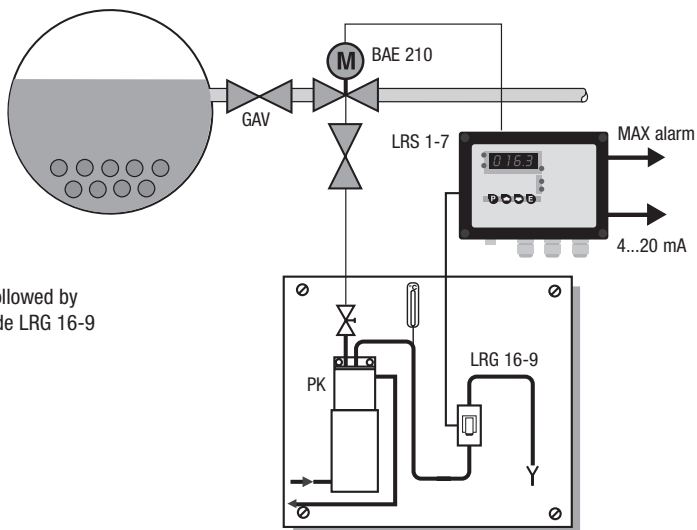
#### Purpose and Application

Used in conjunction with conductivity electrode LRG 16-9 for automatically controlled continuous boiler blowdown and/or limit monitoring in order to increase the economic viability and safety of the plant. Controlled boiler blowdown with temperature compensated indication of the electrical conductivity (TDS control). Application in steam boilers, evaporators, steam regenerators, condensate liners etc.

#### Design

Plastic casing for wall mounting with indicators and adjustors behind clear lid.

**Automatic Continuous Blowdown Control – Automatic Temp. Compensation –  
> 275 °C**



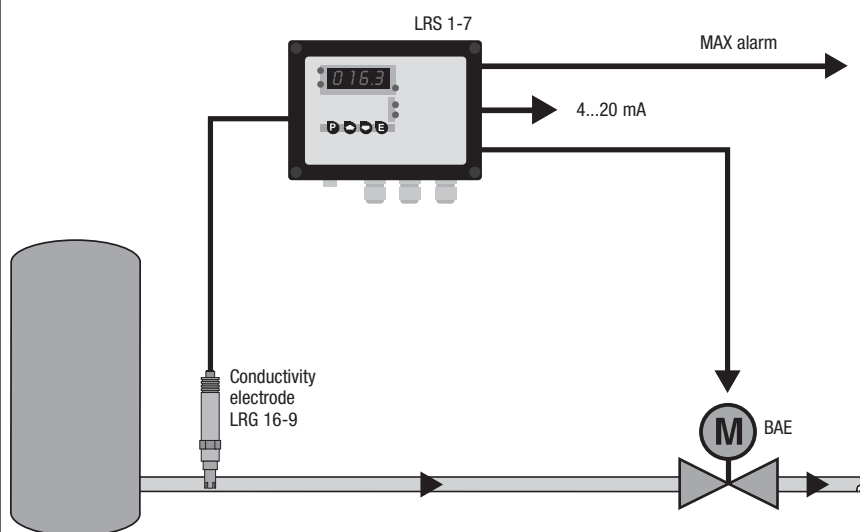
**PK**  
Sample valve unit followed by  
conductivity electrode LRG 16-9

Sample valve unit > 275 °	Stock code
<b>LRG 16-9</b>	3771839
<b>Connecting cable</b> male / female 5 m	1502563
<b>PK-250 PE2A</b>	
<b>LRS 1-7</b>	3781640
<b>BAE 210 DN 25 FI.</b>	393150001

**GAV** see page 89 - 90

**Type approval:**  
TÜV WÜL xx-014

**Signalling of MAX and MIN conductivity values  
– automatic temperature compensation –**



**– Automatic temperature compensation**

Equipment	PN	Stock code
<b>LRG 16-9</b>	40	3771839
<b>Connecting cable</b> male / female 5 m		1502563
<b>LRS 1-7</b>		3781640

**Type approval:**  
TÜV WÜL xx-014

Optional LRS 1-7a  
Special voltage 24 V AC

.51

### Tee Pieces for Conductivity Electrodes

		Connections DN <sup>2)</sup>	Length L mm	Stock code
 DN 15 – 40 mm Boiler BAE	To suit electrode LRG 16-4 Material: C 22.8 / St 35.8 Pressure rating: PN 40	15 / 15	118	1506435
		20 / 20	128	1506436
		25 / 25	137	1506441
		40 <sup>1)</sup> / 40	180	1506442
 DN 50 mm Boiler DN 15 – 40 mm BAE	To suit conductivity electrodes LRG 16-3 / LRG 16-60/61 Material: C 22.8 / St 35.8 Pressure rating: PN 40	15	197	1506426
		20		1506427
		25		1506428
		40		1506429
 DN 50 mm Boiler DN 25 mm BAE	To suit conductivity electrodes LRG 17-3 / LRG 17-60 Material: C 22.8 / St 35.8 Pressure rating: PN 63	25	244	1506497

### Level Pots for Conductivity Electrodes

		Connections DN <sup>2)</sup>	Length L mm	Stock code
 DN 15 – 40 mm BAE DN 15-40 mm Boiler	<b>MF 1161 STT</b> For installing level electrodes outside the boiler LRG 16-3 / LRG 16-60 Material: C 22.8 / St 35.8 / Ø 60.3 Pressure rating: PN 40	15	351	1506467
		20	353	1506468
		25	353	1506469
		40 <sup>1)</sup>	358	1506470
 DN 15-40 mm BAE DN 15-40 mm Boiler	<b>MF 1162 STT</b> For installing level electrodes outside the boiler LRG 16-4 / LRG 16-61 Material: C 22.8 / St 35.8 / Ø 139.7 Pressure rating: PN 40	15	414	1506454
		20		1506455
		25		1506456
		40 <sup>1)</sup>		1506457
 DN 25 mm Boiler connection DN 25 mm BAE DN 25 mm <sup>3)</sup> Electrode connection	<b>MF 1171 STT</b> To suit electrode type LRG 17-3, LRG 17-60 Material: C 22.8 / St 35.8 / Ø 60.3 Pressure rating: PN 63	25	500	1506656
 DN 25 mm Boiler connection DN 25 mm BAE DN 50 mm <sup>3)</sup> Electrode connection	<b>3MF 88.9</b> To suit electrode type LRG 17-1/LRG 19-1 For continuous blowdown valve BAE (automatic continuous blowdown control)	PN 63 25	418	1500987
		PN 160 25	415	1500988

<sup>1)</sup> Approval acc. to PED 2014/68/EU module A2

<sup>2)</sup> Please state nominal size (DN) when ordering.

<sup>3)</sup> Approved in acc. with PED 2014/68/EU module 6

**Application**

<b>BA 46, BA 47, BA 210, BA 211, ZK 29</b>	Valve with adjustable stage nozzle and sample valve for continuous blowdown of steam boilers and evaporators.
<b>BAE 46, BAE 47, BAE 210, BAE 211, ZK 29</b>	Valve with adjustable stage nozzle, sample valve, and electric actuator for automatically controlled continuous blowdown. Especially suited for boilers operating without constant supervision EN 12953.

**Pressure/Temperature Rating** According to EN 1092-1 (2013) for: 1.0460 in accordance with PED and AD 2000 or A105 according to Pressure Equipment Directive (PED).

Type	Ratings according to		Boiling point °C at max. pressure bar = $T_s/p_{max}$
	PN	ASME	
<b>BA 46 / BAE 46</b>	PN 40 1.0460	EN 1092-1	238/ 31
	PN 40 A105	EN 1092-1	238/ 31
	Class 150 A105	ASME B16.34	198/ 14
	Class 300 A105	ASME B16.34	254/ 42
<b>BA 47 / BAE 47</b>	PN 63 1.0460	EN 1092-1	261/ 47
	PN 63 A105	EN 1092-1	261/ 47
	Class 400 A105	ASME B16.34	271/ 55
<b>BA 210 / BAE 210</b>	PN 250 1.0460	DIN 2401	348/161
<b>BA 211 / BAE 211</b>	PN 320 1.7335	DIN 2401	374/220
<b>ZK 29</b>	PN 160 1.7335	EN 1092-1	336/138
	Class 900 F12	ASME B16.34	325/120

**Dimensions BA 46, BAE 46 in mm**

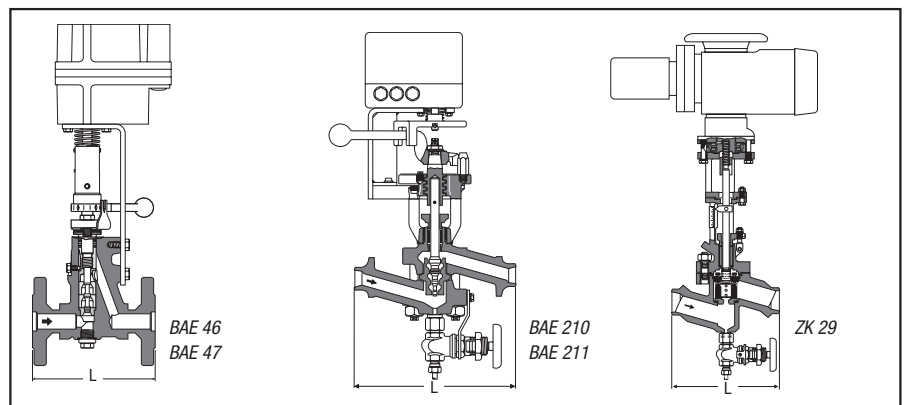
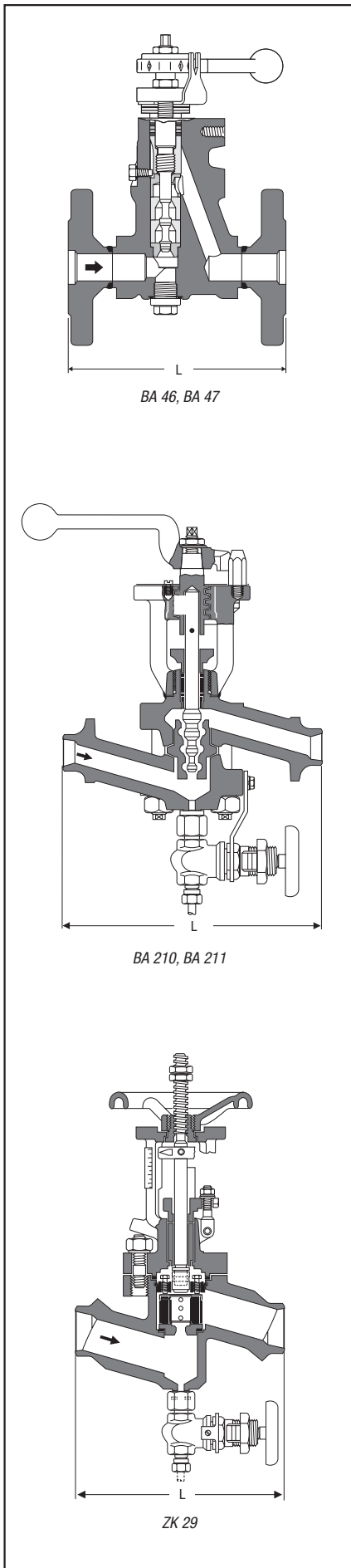
Connections	DN	15	20	25	32	40	50
Flanged EN	L	150	150	160	180	200	230
Flanged ASME Class 150	L	150	150	160	180	230	230
Flanged ASME Class 300	L	150	150	160	180	230	230
Socket-weld	L	200	200	200	200	250	250

**Dimensions BA 47, BAE 47 in mm**

Connections	DN	15	20	25	32	40	50
Flanged EN	L	–	–	190	–	220	250
Flanged ASME Class 400/600	L	–	–	216	–	216	250
Socket-weld	L	–	–	200	–	250	250

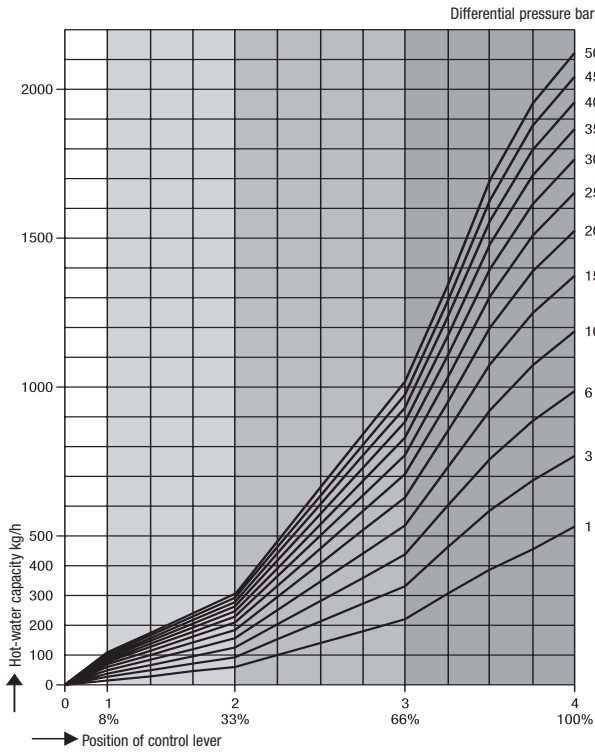
**Dimensions BA 210, BAE 210, BA 211, BAE 211 in mm**

Connections	DN	15	20	25	32	40	50
Flanged EN	L	–	–	410	–	–	–
Flanged ASME Class 600	L	–	–	410	–	–	–
Flanged ASME Class 900/1500	L	–	–	440	–	–	–
Socket-weld	L	–	–	300	–	–	–

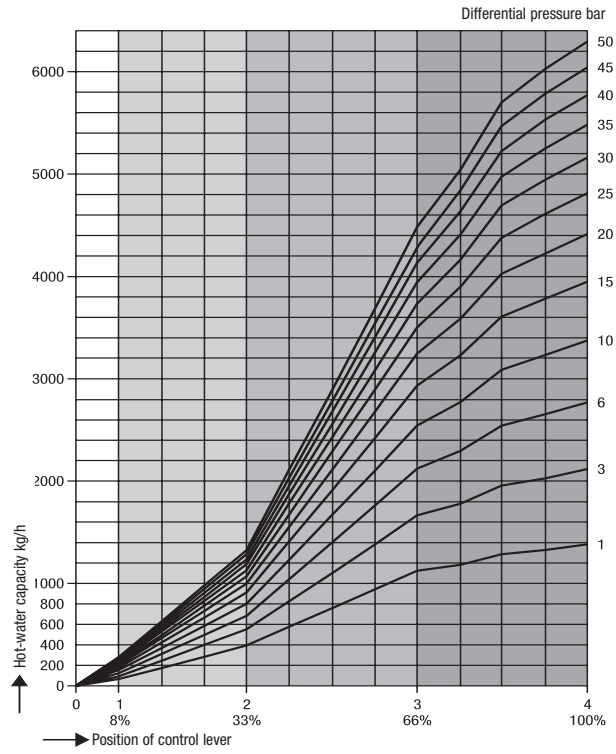


**Capacity Charts**

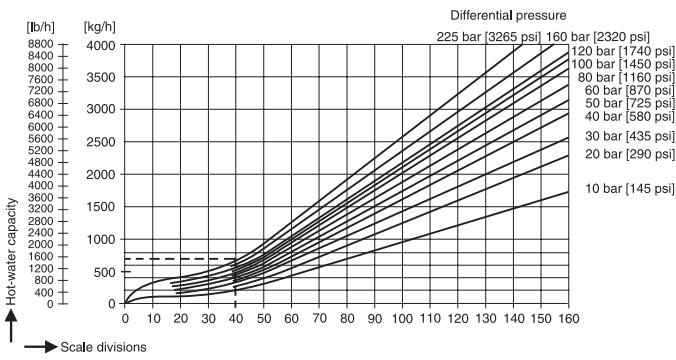
**Chart 1:** BA 46, BA 47, DN 15-32  
BAE 46, BAE 47, DN 15-32



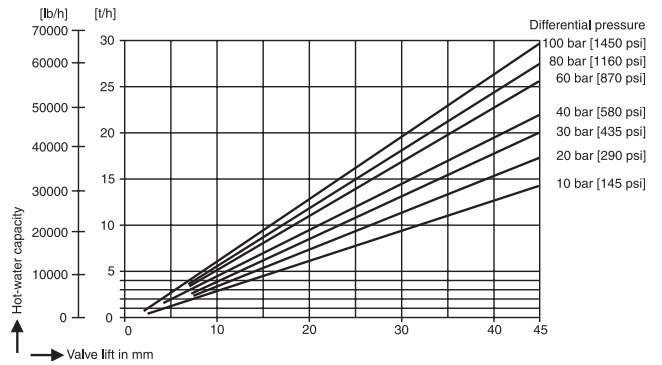
**Chart 2:** BA 46, BA 47, DN 40/50  
BAE 46, BAE 47, DN 40/50



**Chart 3:** BA 210, BA 211  
BAE 210, BAE 211

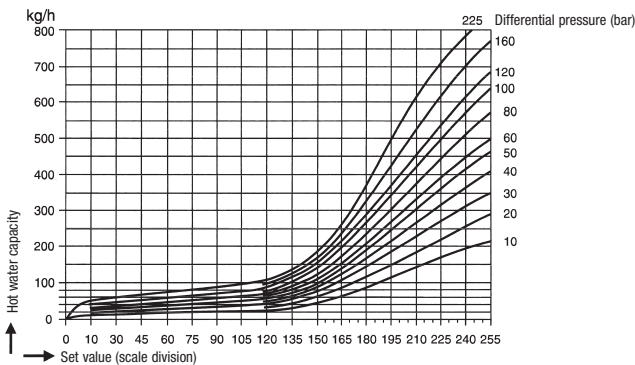


**Chart 4:** ZK 29, DN 50



1) For relatively small quantities (dotted line in chart) use 210 k or 211 k (with special stage nozzle).

**Chart 5:** BAE 210k, 211k



### Description

A short boiler blowdown is performed by quickly opening the blowdown valve. This creates a short-term low-pressure area around the blowoff opening at the bottom of the boiler, causing a suction effect that removes accumulated sludge and sediments that have settled out in the lower part of the boiler.

The suction effect of an intermittent blowdown is only effective at the moment when the valve is being opened. For this reason the valve should only be opened for approx. 2 seconds. Longer opening periods waste boiler water.

For the closing process the design of the valve is of great importance. The closing force of the spring of the intermittent blowdown valves (M)PA is increased by the boiler pressure, which means that the valve is in a good condition for breaking up any dirt particles settled on the valve seat/plug, thus ensuring a positive shutoff.

The service life of the valve seat/plug is further increased by the pressure reduction that takes place in the radial stage nozzle installed downstream of the valve. The time interval between bottom blowdown processes can only be calculated indirectly by taking the boiler efficiency, the feedwater quality and the admissible boiler water quality into account.

### Application

In steam boiler plants operating without constant supervision. Automation of intermittent blowdown by generating electric pulses to initiate a blowdown cycle via the GESTRA rapid-action intermittent blowdown valve MPA.

### Controls

Type	Design	Interval time	Pulse duration sec	Mains voltage	Version		
					a	b	f
<b>SPECTORconnect</b>							
LRR 1-60	Continuous/intermittent blowdown controller for installation in control cabinet, with strainer and solenoid valve	1 h – 120 h	1 – 60	24 V DC	–	●	–
<b>SPECTORmodule</b>							
LRR 1-52 LRR 1-53	Continuous/intermittent blowdown controller for installation in control cabinet, with strainer and solenoid valve	1 h – 200 h	1 – 10	24 V DC	–	●	–
<b>SPECTORcompact</b>							
TA 10	Cycling timer PRS 10 integrated in solenoid valve plug, strainer, solenoid valve	30 min – 10 h	0,5 – 10	230 V / 50 Hz 24 V DC	–	–	● ●

### Three-Way Solenoid Valve

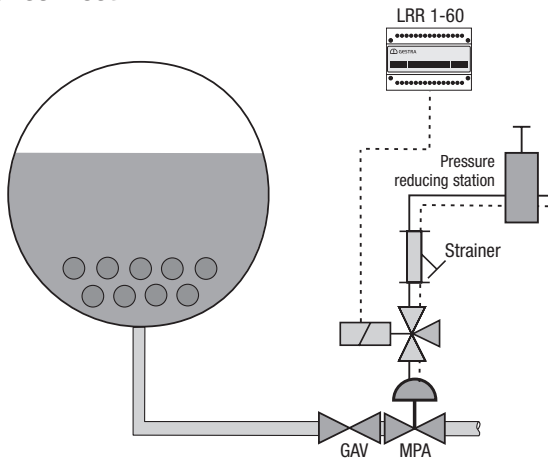
Max. service pressure bar	Min. differential pressure bar	Connection	Protection
16 <sup>1)</sup>	min. 0.5	¼" BSP	IP 65

<sup>1)</sup> Max. admissible pressure for diaphragm actuator: 6 bar

#### Version

- a = Field case
- b = Plug-in unit in plastic case
- c = 19" slide-in unit
- e = Case for panel mounting
- f = Integrated in solenoid valve plug

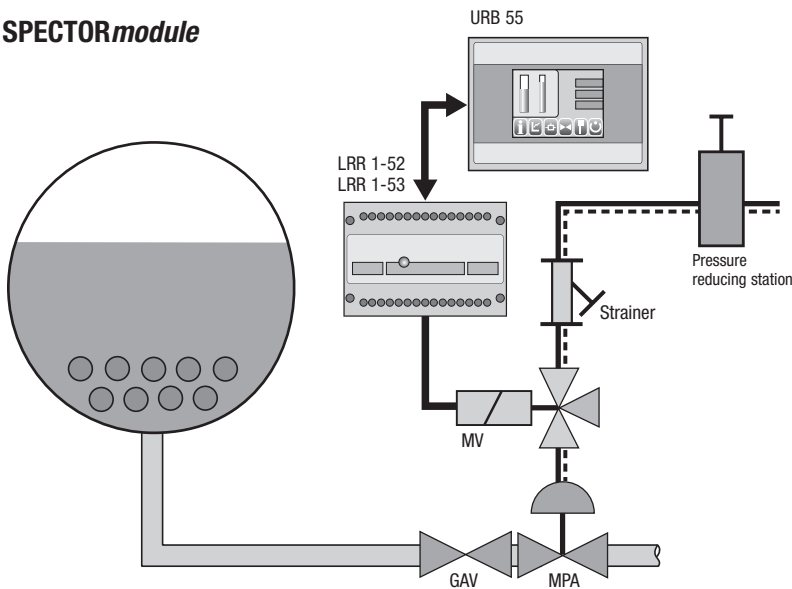
**SPECTORconnect**



**Controlled by LRR 1-60:**

Type	DN	PN	Stock code
Pressure reducing station	1/4"		147545
Strainer	1/2"		4301241
Reducer	1/2" - 1/4"		3401145
Solenoid valve 6430 C			52830
			1/4", 230 V AC

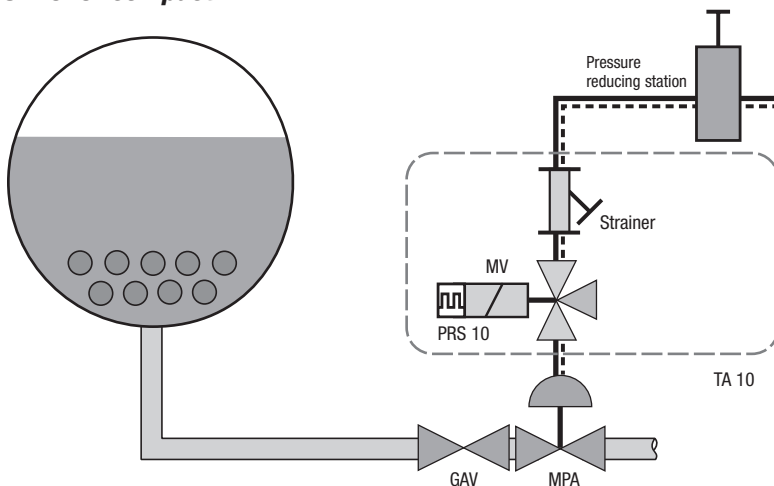
**SPECTORmodule**



**Controlled by LRR 1-52/-53:**

Type	DN	PN	Stock code
Pressure reducing station	1/4"		147545
Strainer	1/2"		4301241
Reducer	1/2" - 1/4"		3401145
Solenoid valve 6340 C			146247
			1/4", 24 V DC
<b>MPA 46</b>			
< 6 t/h	25	40	3661500
< 24 t/h	40		3661700
<b>MPA 47</b>			
< 6 t/h	25	63	3671500
< 24 t/h	40		3671700

**SPECTORcompact**



**Controlled by TA 10:**

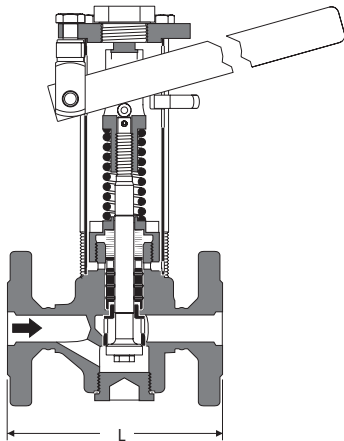
Type	DN	PN	Stock code
<b>TA 10</b>	24		360224252
V DC			147545
Pressure reducing station			
<b>MPA 46</b>			
< 6 t/h	25	40	3661500
< 24 t/h	40		3661700
<b>MPA 47</b>			
< 6 t/h	25	63	3671500
< 24 t/h	40		3671700

**Application**

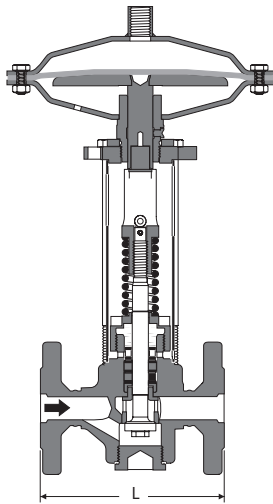
<b>PA 46, PA 47, PA 48, PA 110</b>	Manual intermittent blowdown of steam boilers and pressurized hot-water boilers.
<b>MPA 46, MPA 47, MPA 48, MPA 110</b>	Automatic, programme-controlled intermittent blowdown of steam boilers and waste-heat boilers. Especially suited for boilers operating without constant supervision EN 12953.

**Pressure/Temperature Rating** According to EN 1092-1 (2013) for: 1.0460 in accordance with PED and AD 2000 or SA105 according to Pressure Equipment Directive (PED).

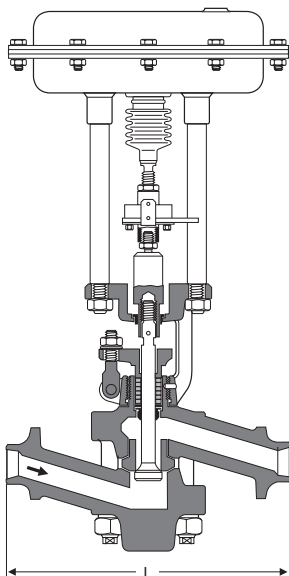
Type	Ratings according to		Boiling point °C at max. pressure bar T <sub>s</sub> /p <sub>max</sub>	Control fluid MPA...	Max. control pressure MPA...
<b>PA 46</b>	PN 40 1.0460	EN 1092-1	238/ 31	Water or compressed air	8 bar
<b>MPA 46</b>	PN 40 SA105	EN 1092-1	238/ 31		
	Class 150 SA105	ASME B16.34	198/ 14		
	Class 300 SA105	ASME B16.34	254/ 41		
<b>PA 47</b>	PN 63 1.0460	EN 1092-1	261/ 47	Water or compressed air	8 bar
<b>MPA 47</b>	PN 63 SA105	EN 1092-1	261/ 47		
	Class 400 SA105	ASME B16.34	271/ 55		
<b>PA 48</b>	PN 100 1.0460	EN 1092-1	287/ 70	Water or compressed air	8 bar
<b>MPA 48</b>	Class 600 SA105	ASME B16.34	287/ 70		
<b>PA 110</b>	PN 250 1.7335	EN 1092-1	374/220	Compressed air	6 bar
<b>MPA 110</b>	PN 250 A182-F12	EN 1092-1	374/220		
	Class 400/600 A182-F12	ASME B16.34	300/ 85		
	Class 900 A182-F12	ASME B16.34	326/124		
	Class 1500 A182-F12	ASME B16.34	363/196		



PA 46, PA 47, PA 48



MPA 46, MPA 47, MPA 48



MPA 110

**Dimensions PA 46, MPA 46 in mm**

Connection	DN	20	25	32	40	50
Flanged EN	L	150	160	180	200	230
Flanged ASME Class 150	L	150	160	180	230	230
Flanged ASME Class 300	L	150	160	180	230	230
Socket-weld	L	200	200	200	250	250

**Dimensions PA 47, PA 48, MPA 47, MPA 48 in mm**

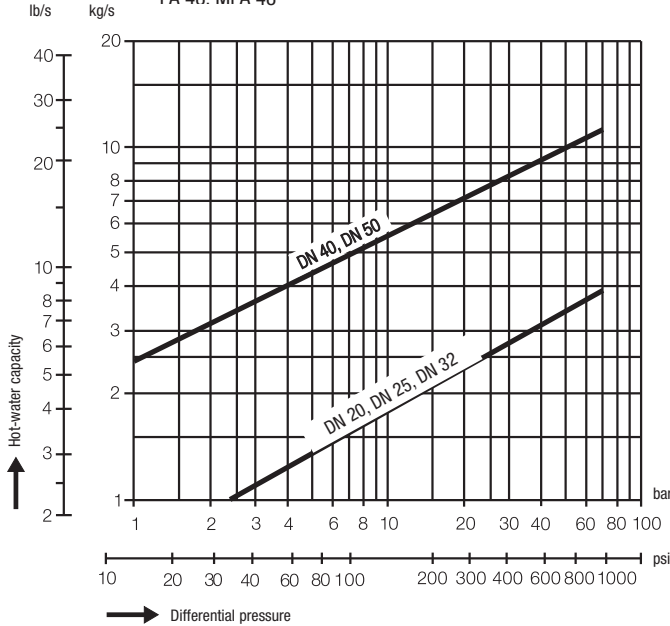
Connection	DN	20	25	32	40	50
Flanged EN	L	–	190	–	220	250
Flanged ASME Class 400/600	L	–	216	–	216	250
Socket-weld	L	–	200	–	250	250

**Dimensions PA 110, MPA 110 in mm**

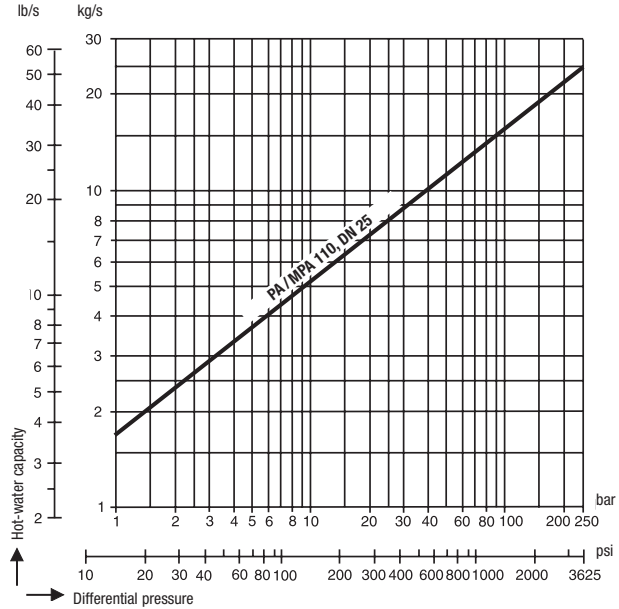
Connection	DN	20	25	32	40	50
Flanged EN	L	–	410	–	–	–
Flanged ASME Class 600	L	–	410	–	–	–
Flanged ASME Class 900 / 1500	L	–	440	–	–	–
Butt-weld end	L	–	300	–	–	–

**Capacity Charts**

**Chart 1:** PA 46, MPA 46  
PA 47, MPA 47  
PA 48, MPA 48



**Chart 2:** PA 110, MPA 110



**The Benefits of the New GESTRA Intermittent Blowdown Valves**

- **Improved blowdown effectiveness** through integrated pressure chamber in the outlet section of the body
- **Greater tightness** through additional wiper rings between the packing seals
- **Longer service life** and availability through radial stage nozzle downstream of the valve seat
- **Insensitive to waterhammer** through absence of large body cover
- **Reduced wear** through new arrangement of the seals on the low-pressure side
- **Consistent implementation of the work safety regulations** through novel distance tube
- **Quick and easy installation** thanks to multifunction parts
- **Reduced maintenance and service effort** through additional cup springs acting on the compression spring and through the possibility of tensioning the seals from outside
- **Better checking functionally** through relief vent for leak detection from outside
- **Greater convenience** through innovative clip fastening of the hand lever PA 46 / 47 / 48

## Liquid Monitoring – Detecting Ingress of Oil in Condensate Systems and Marine Installations

### Purpose

Continuous monitoring of transparent liquids to detect any ingress of insoluble foreign matter causing turbidity, such as emulsified oils and greases. Measuring of turbidity and signal evaluation for indication, recording and control. Tripping of alarms, control valves etc.

The oil turbidity detector OR 52/ consists of a measuring sensor ORG 12/ORG 22 and the ORT 6.

### Application

Condensate monitoring in steam boilers to detect any ingress of oils and greases in accordance with EN 12952/..53.

Monitoring of cooling water, condensate and beverages for turbidity.

Monitoring of cooling water, condensate and beverages for turbidity in hazardous areas – zone 1 (on request).

Hot-water monitoring in district heating plants.

Filter and cooling-water monitoring on ships.

### Technical Data

Type	Sensor	PN	Connection	Material	Measuring transducer ORT 6 Wall-mounting case, measuring range 0–25 ppm 2 alarm relay outputs (instantaneous/delayed) LED bar chart display 4–20 mA current output
OR 52/5	ORG 12	10	3/8"	GG 25	●
OR 52/6	ORG 22	10	3/8"	1.4580	●

## Liquid Monitoring – Detecting Ingress of Acids, Alkalis, Raw Water, Dyes, etc.

### Purpose

Monitoring conductive liquids for contamination by foreign matter that increases the TDS concentration; conductivity monitoring (TDS control), signalling and display.

### Application

For condensate and feedwater monitoring in steam and (pressurised) hot water plants to detect ingress of acids, alkalis, raw water, dyes, etc.

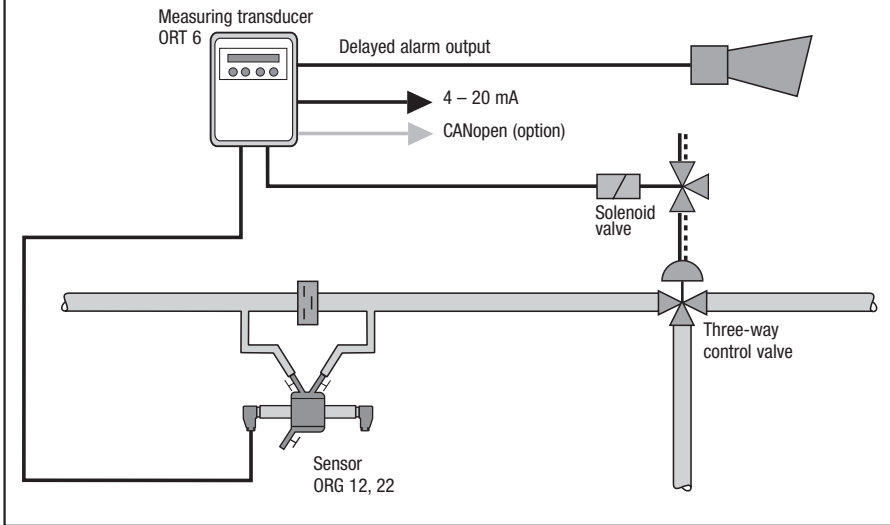
### Technical Data of Conductivity Electrodes

Type	PN	Conne- ction	Service pressure bar saturated steam temp.	Integrated temp. sensor	Ambient temperature at terminal	Lengths supplied mm	TÜV
LRG 16-9	40	1/2"	32 / 238 °C	●	70 °C	43	●
LRGT 16-3	40	1"	32 / 238 °C	●	70 °C	200 / 300 / 400	●

### Technical Data of Electronic Control Unit/Controller

Type	Outputs		Mains voltage Standard	Protection	Design				Measuring range	TÜV
	switching	4 – 20 mA			a	b	c	e		
LRS 1-7a	●	●	230 V/AC	IP 65	●	–	–	–	0.5 – 10,000 µS/cm	●
LRS 1-50	●	–	24 V/DC	IP 20	–	●	–	–	0.5 – 10,000 µS/cm	●

**Monitoring condensate for ingress of oils, grease, etc.**



Type	Stock code
<b>OR 52/5</b>	4003040
<b>OR 52/6</b>	4003140
Pneumatic three-way control valve PN 16, DN 50 with pilot valve	1503407
Non-return valve DISCO <b>RK 86a, SF 20 mbar</b> PN 40, DN 50	121180182

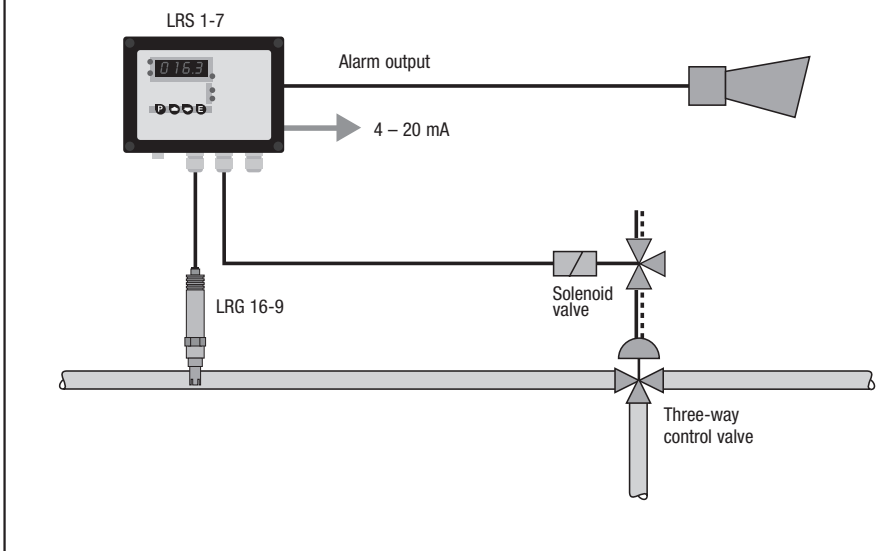
Optional CANopen interface .60

**Non-return valve see pages 44 - 54**

**Type approval:**  
TÜV WÜL xx-009



**Monitoring condensate for ingress of acids, alkalis, raw water, etc.**

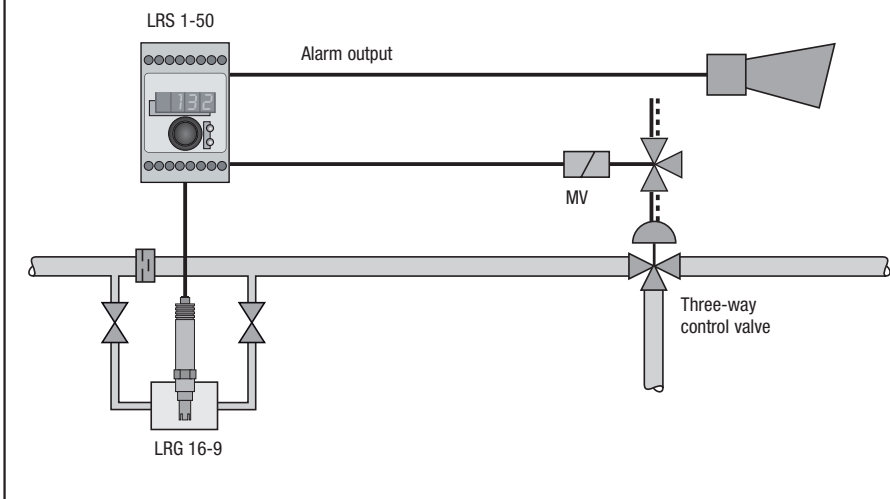


Type	Stock code
<b>LRG 16-9</b>	3771839
<b>Connecting cable</b> male / female 5 m	1502563
<b>LRS 1-7</b>	3781640

Pneumatic three-way control valve PN 16, DN 50 with pilot valve	1503407
---	---------

**Type approval:**  
TÜV WÜL xx-014

**Monitoring condensate for ingress of acids, alkalis, raw water etc. in pipes that can run dry**



Type	Stock code
<b>LRG 16-9 with measuring chamber, G½</b>	377183930
<b>LRS 1-50</b> 24 V DC	3041041
DISCO Non-return valve <b>RK 86a, SF 20 mbar</b> PN 40, DN 50	121180182

**Type approval:**  
TÜV WÜL xx-018  
EG Z-IS-TAF-MUC-12-08-103881-007

## Purpose and Application of Oil Detector & Alarm

The oil detector and alarm ORGS 11-2 is used for monitoring cooling water to detect any ingress of oil. An alarm and control unit installed downstream of the detector will dump contaminated cooling water, thereby preventing oil contamination of the installation to be cooled.

The equipment detects all low-density matter that is insoluble in water, not emulsified, and has a lower electrical conductivity than water. Antirust oils, which emulsify in cooling water, do not trigger an alarm.

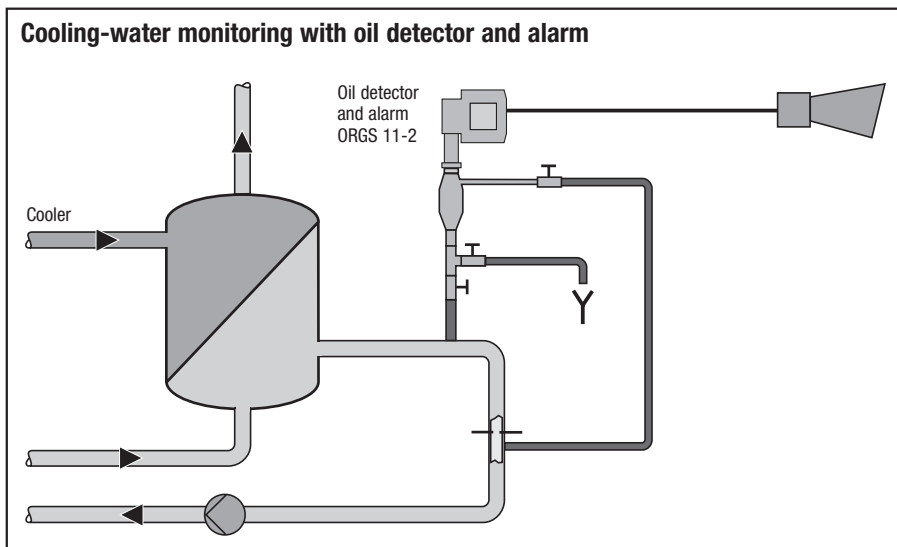
The output contact relays of the contamination detector are self-monitoring and of the normally closed type, and will therefore trigger an alarm in the event of a malfunction.

## Technical Data

Type	PN	Connection	Material
ORGS 11-2	6	Inlet E0-15-L	C 22.8
		Outlet E0-12-L/S	
		Drain E0-15-L	

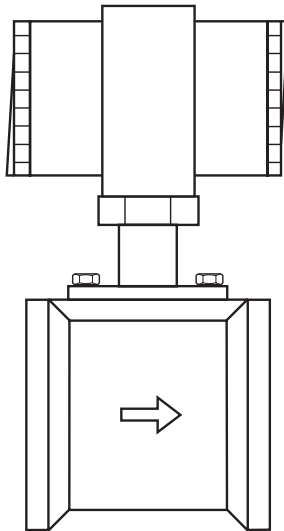
Type	Stock code
ORGS 11-2	4041140

Type approval for marine applications  
see page 104



### Principle of Measurement

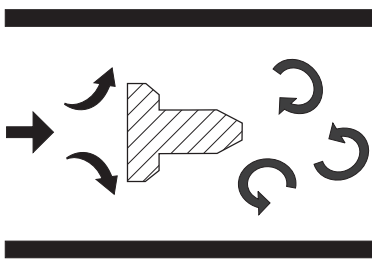
The design is based on the Kármán vortex street principle using a body installed perpendicular to the axis of the pipe. The vortices generated in the flow stream produce pressure oscillations which are converted into electrical signals by a sensor. The output signal is then evaluated and processed in the flow computer.



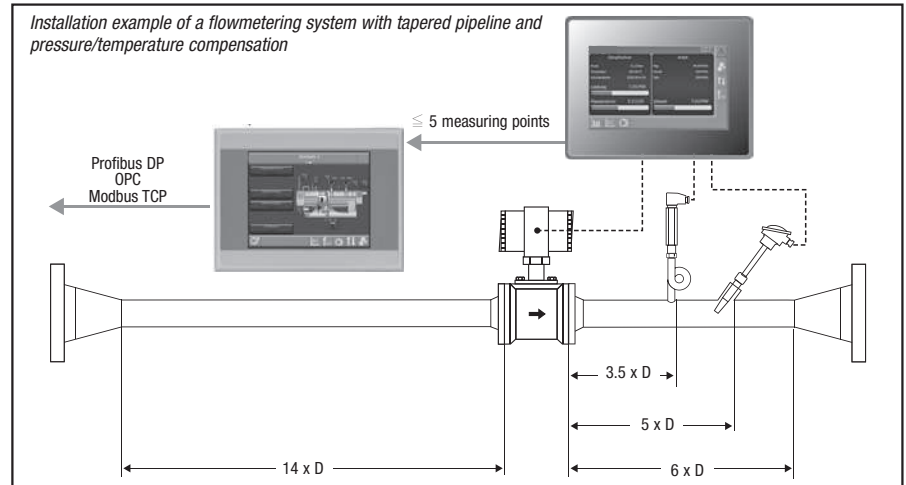
Vortex flowmeter



Flow computer



Specially shaped vortex shedder



#### Steam-flow measurement system for constant saturated steam pressure

consisting of:  
Vortex flowmeter type 84 W-U and  
flow computer type SPECTORcontrol Flow

#### Steam-flow measurement system for fluctuating saturated steam pressure (temperature compensated)

consisting of:  
Vortex flowmeter type 84 W-U,  
flow computer type SPECTORcontrol Flow and  
temperature sensor TRG 5-63, L = 160 mm

#### Steam-flow measurement system for fluctuating saturated steam pressure (pressure compensated)

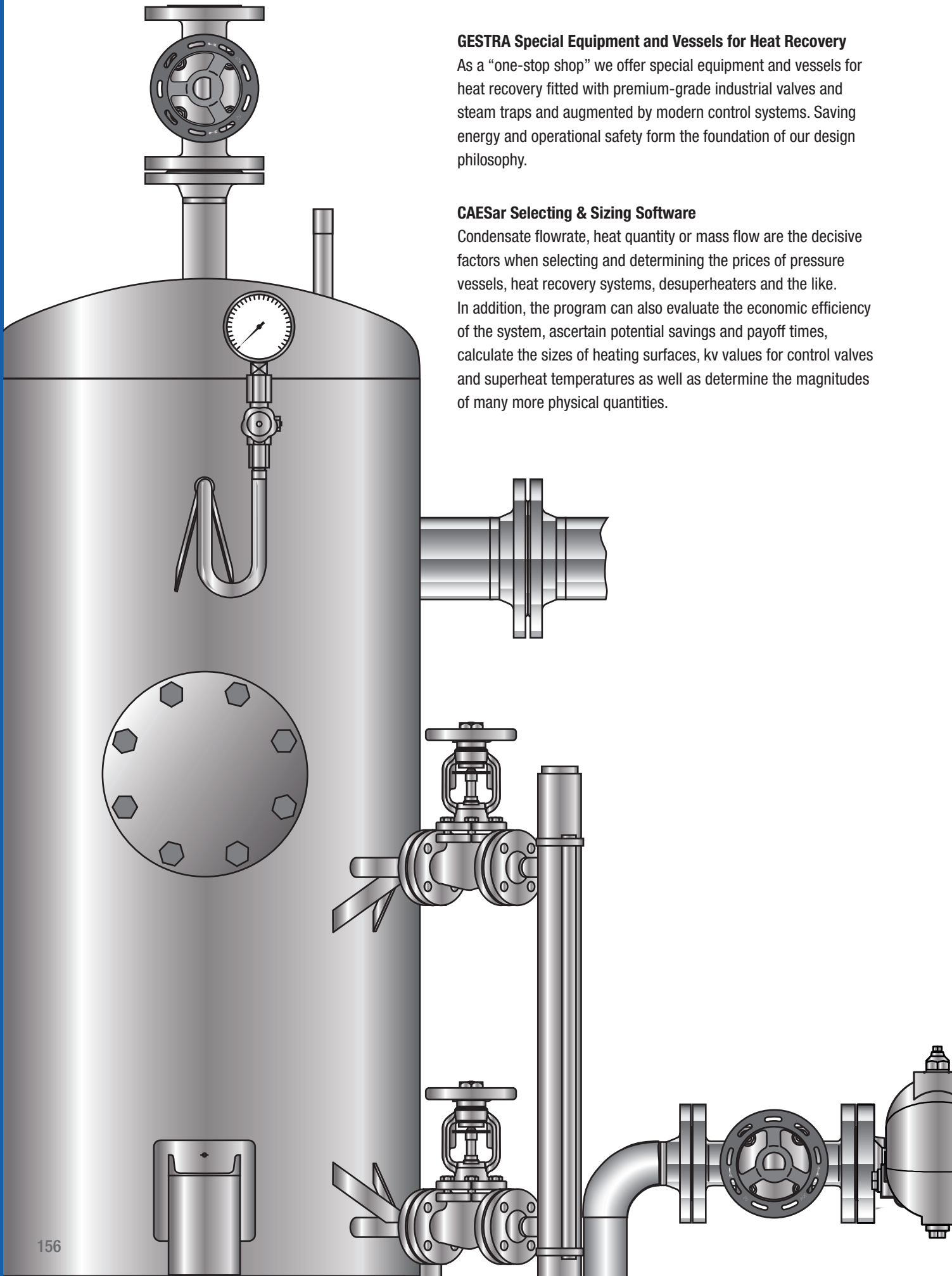
consisting of:  
Vortex flowmeter type 84 W-U,  
flow computer type SPECTORcontrol Flow and  
pressure transmitter DRT with syphon and pressure gauge.

#### Steam-flow measurement system for superheated steam (temperature and pressure compensated)

consisting of:  
Vortex flowmeter type 84 W-U,  
flow computer type SPECTORcontrol Flow,  
temperature sensor TRG 5-63 and pressure transmitter DRT with syphon and pressure gauge

For up to 5 measuring points SPECTORcontrol III (a visual display & control system for viewing, calculating, monitoring and controlling) can be used.





**GESTRA Special Equipment and Vessels for Heat Recovery**

As a “one-stop shop” we offer special equipment and vessels for heat recovery fitted with premium-grade industrial valves and steam traps and augmented by modern control systems. Saving energy and operational safety form the foundation of our design philosophy.

**CAESar Selecting & Sizing Software**

Condensate flowrate, heat quantity or mass flow are the decisive factors when selecting and determining the prices of pressure vessels, heat recovery systems, desuperheaters and the like. In addition, the program can also evaluate the economic efficiency of the system, ascertain potential savings and payoff times, calculate the sizes of heating surfaces, kv values for control valves and superheat temperatures as well as determine the magnitudes of many more physical quantities.

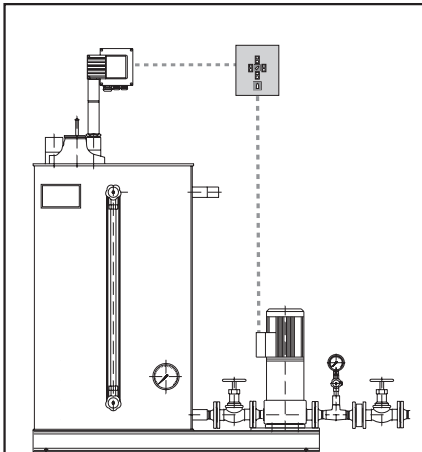
**GESTRA pressure equipment is designed, constructed and tested to PED<sup>1)</sup> 2014/68/EU and AD Bulletin 2000. Pressure equipment of category I, II, III and IV bears the CE marking. The Declaration of Conformity certifies that the equipment satisfies the applicable safety requirements of the PED.**

**Pressure equipment that falls within the scope of article 4 section 3 of the PED 2014/68/EU is designed and manufactured in accordance with what is recognised as sound engineering practice. This equipment will not be CE marked but must be accompanied by a Declaration of Manufacturer.**

**1) PED = Pressure Equipment Directive**

## Special Equipment and Vessels for Heat Recovery

	Page
Condensate Recovery and Return System Quick CC . . . . .	158
Open-Type Condensate Recovery and Return Tank SDL (S) . . . . .	159
Closed-Type Condensate Recovery and Return Tank SDL (S) . . . . .	160
Steam Powered Condensate Return Tank KH . . . . .	161
Steam-Powered Condensate-Return Unit (Fluid Lifter) FPS . . . . .	162
Desuperheaters EK, KD . . . . .	163
Steam Regenerators GRDE . . . . .	164
Heat Exchanger Unit GESTRAheat . . . . .	165
Feedwater Deaerating Plants NDR, SW, FD . . . . .	166 – 167
Flash Vessels VD . . . . .	168
Blowdown Receiver (Mixing Cooler) VDM . . . . .	169
Condensate Dampening Pot ED . . . . .	170
Steam Driers and Purifiers TD (Steam Separators) . . . . .	171
Air Driers and Purifiers (Steam Separators) . . . . .	171
Automatic Pump Trap Station UNA PK . . . . .	173
Steam-Powered Condensate-Return System Station FPS . . . . .	174
Condensate Recovery and Return System (VSD Pumps) SDL 200-500 Compact . . . . .	175
Vapour Heat Exchanger VHE . . . . .	176
Questionnaire for preparing offers . . . . .	177 – 184



**Condensate tank of rectangular design type Quick CC with high-pressure centrifugal pump(s) installed next to the tank**

**Application**

Condensate tanks are used to collect the condensate coming from steam users or flash vessels. From the tank the condensate is pumped into the feedwater tank by a level-controlled pump, in most cases via a deaerator.

**Rectangular condensate tank type Quick CC**

The standard range of rectangular condensate tanks is designed for condensate flowrates of up to 8 t/h and a max. service pressure of 0.1 barg.

Tank made of steel type S235JRG2, inside: untreated, outside: anti-corrosion coating or stainless steel 1.4571 **with two condensate pumps and accessories installed next to the tank, e. g.**

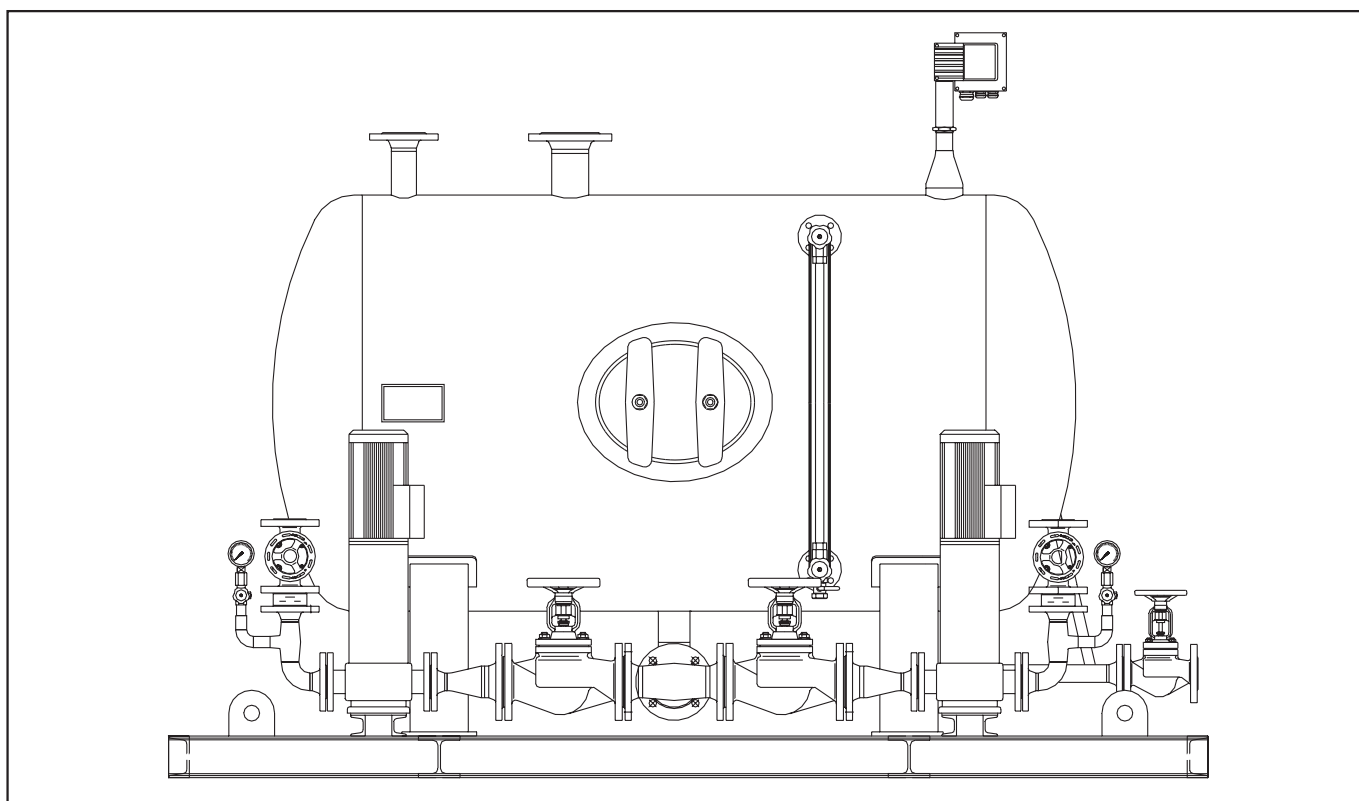
bimetal dial thermometer, water-level indicator, GESTRA level electrode and control for automatic pump operation, non-return valves, shut-off valves, high-pressure centrifugal pump(s) and pressure gauge. Completely assembled and interconnected, control cabinet supplied but not mounted.

**Dimensions and Weights**

Pumping capacity m <sup>3</sup> /h	Delivery head mWs	Type Quick CC	Stock code 2 pumps	Weight kg	Type QuickCC	Stock code 1 pump	Weight kg
1	28	340-2-CR1-5	5201271	230	340-1-CR1-5	5201281	200
1	57	340-2-CR1-10	5201272	240	340-1-CR1-10	5201282	205
2	20	550-2-CR1-5	5201471	275	550-1-CR1-5	5201481	245
2	42	550-2-CR1-10	5201472	285	550-1-CR1-10	5201482	250
3	23	750-2-CR3-5	5201573	335	750-1-CR3-5	5201583	295
3	46	750-2-CR3-10	5201574	345	750-1-CR3-10	5201584	300
4	15	1000-2-CR3-5	5201773	390	1000-1-CR3-5	5201783	350
4	32	1000-2-CR3-10	5201774	400	1000-1-CR3-10	5201784	355
6	19	1500-2-CR5-4	5201875	485	1500-1-CR5-4	5201885	445
6	35	1500-2-CR5-7	5201876	495	1500-1-CR5-7	5201886	450
8	22	2000-2-CR10-3	5201977	610	2000-1-CR10-3	5201987	550
8	60	2000-2-CR10-7	5201978	645	2000-1-CR10-7	5201988	565

Type		Quick CC 340	Quick CC 550	Quick CC 750	Quick CC 1000	Quick CC 1500	Quick CC 2000
Volume	l	340	550	750	1000	1500	2000
Length	mm	1507	1657	1827	1977	2545	3075
Width	mm	600	750	900	1000	1000	1000
Height	mm	1532	1532	1532	1532	1532	1532

Dimensions of control cabinet: W x H x D: 400 x 500 x 210 mm



**Condensate receiver tank of cylindrical design type SDL (S)  
with high-pressure centrifugal pump(s) installed next to the tank**

L = horizontal design; S = vertical design

Size	Volume l	Pumping capacity m <sup>3</sup> /h
I	250	1
II	390	2
III	850	4
IV	1370	6
V	2100	9
VI	2900	12
VII	3800	16
VIII	4500	20
IX	5900	25
X	6900	30

Max. condensate temperature 98°C

**Application**

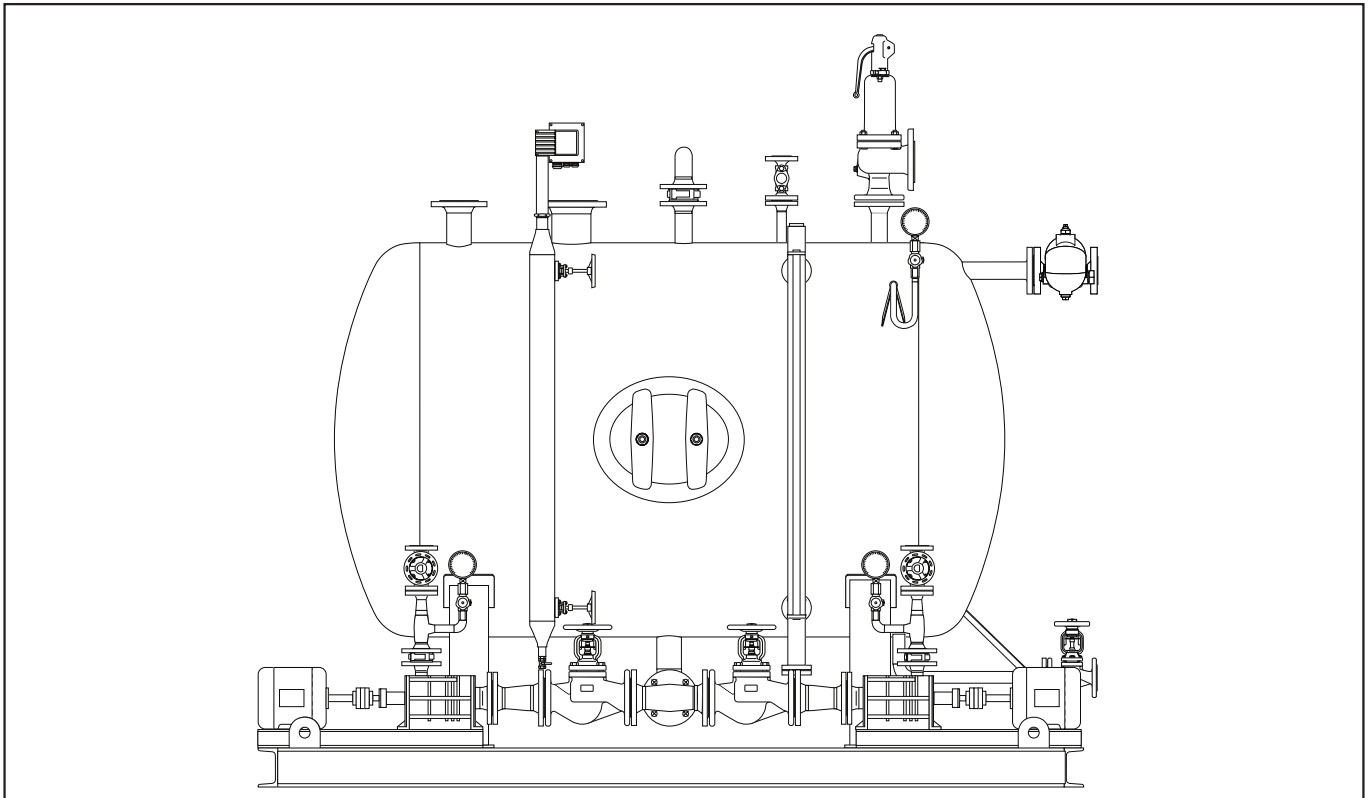
Condensate tanks are used to collect the condensate coming from steam users or flash vessels. From the tank the condensate is pumped into the deaerator by level-controlled pumps.

**Open condensate tank of cylindrical design type SDL (S)**

The standard range of cylindrical condensate tanks is designed for condensate flowrates of up to 30 t/h and a max. service pressure of 0.5 bar. Condensate tanks for larger flowrates available on request.

Tanks available as horizontal or vertical design, made of steel S235JRG2, inside: untreated, outside: anti-corrosion coating. **Two high-pressure pumps and associated valves and accessories installed next to the tank: e. g.** bimetal dial thermometer, pressure gauge unit, water-level indicator, GESTRA level control and level electrode for automatic pump operation and non-return valves are part of the installation.

Other valve and tank materials available on request.  
Other pumping capacities and discharge heads on request.



**Condensate receiver tank of cylindrical design type SDL (S) with horizontal-type centrifugal pump(s) installed next to the tank**

L = horizontal design; S = vertical design

Size	Volume l	Pumping capacity m <sup>3</sup> /h
I	250	1
II	390	2
III	850	4
IV	1370	6
V	2100	9
VI	2900	12
VII	3800	16
VIII	4500	20
IX	5900	25
X	6900	30

**Application**

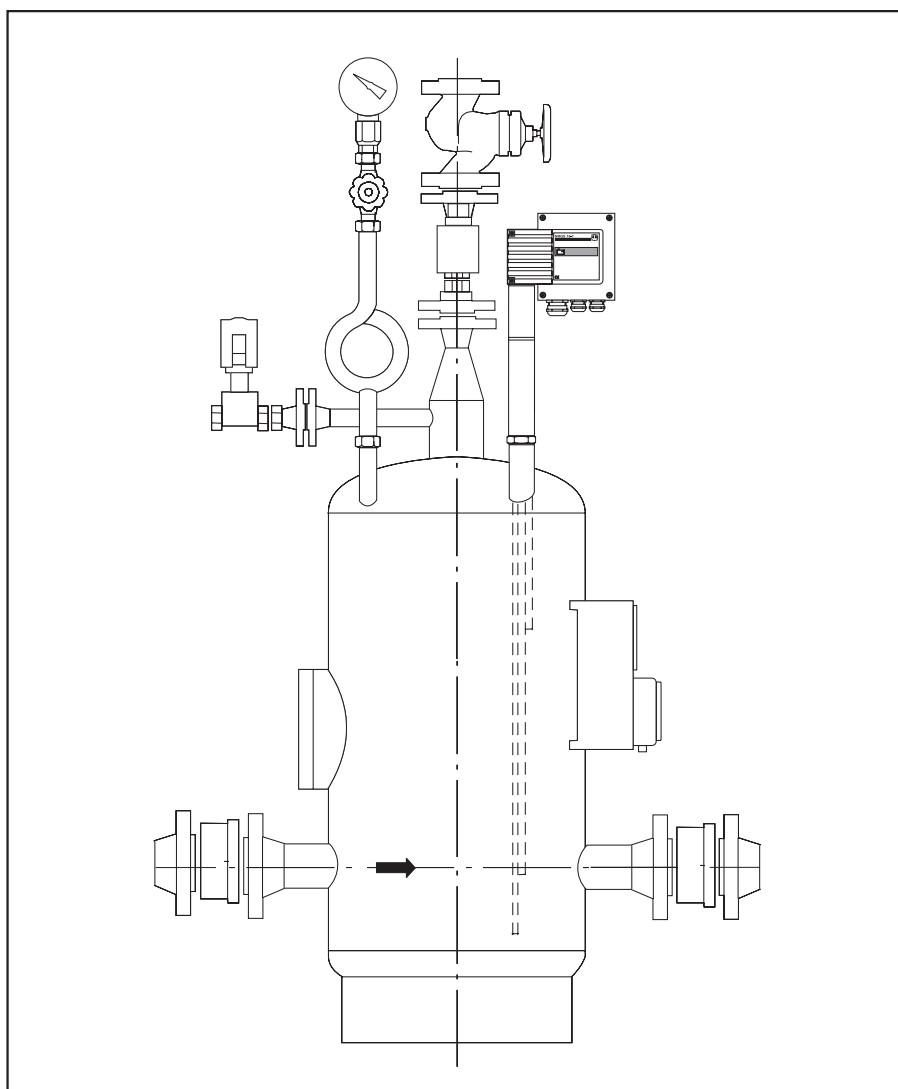
Condensate tanks are used to collect the condensate coming from steam users or flash vessels. From the tank the condensate is pumped into the deaerator by level-controlled pumps.

**Closed condensate tanks of cylindrical design type SDL (S)**

The standard range of cylindrical condensate tanks is designed for condensate flowrates of up to 30 t/h and a max. service pressure of 4 bar. Condensate tanks for larger flowrates available on request.

Tanks available as horizontal or vertical design, made of steel boiler plate type P265GH, inside: untreated, outside: anti-corrosion coating. **Two horizontal-type centrifugal pumps and associated valves and accessories installed next to the tank:** e. g. bimetal dial thermometer, pressure gauge assembly, magnetically operated liquid level gauge, level electrode and control for automatic pump operation, safety device, overflow, air vent, vacuum breaker, shut-off valves and non-return valves are part of the installation.

Other valve and tank materials available on request.  
Other pumping capacities and discharge heads on request.



### Application

Condensate tanks are used to collect the condensate from steam processors or flash vessels. From the tank the condensate is returned to the main condensate tank or deaerator with the aid of level-controlled booster steam.

### Steam-powered condensate return unit KH...

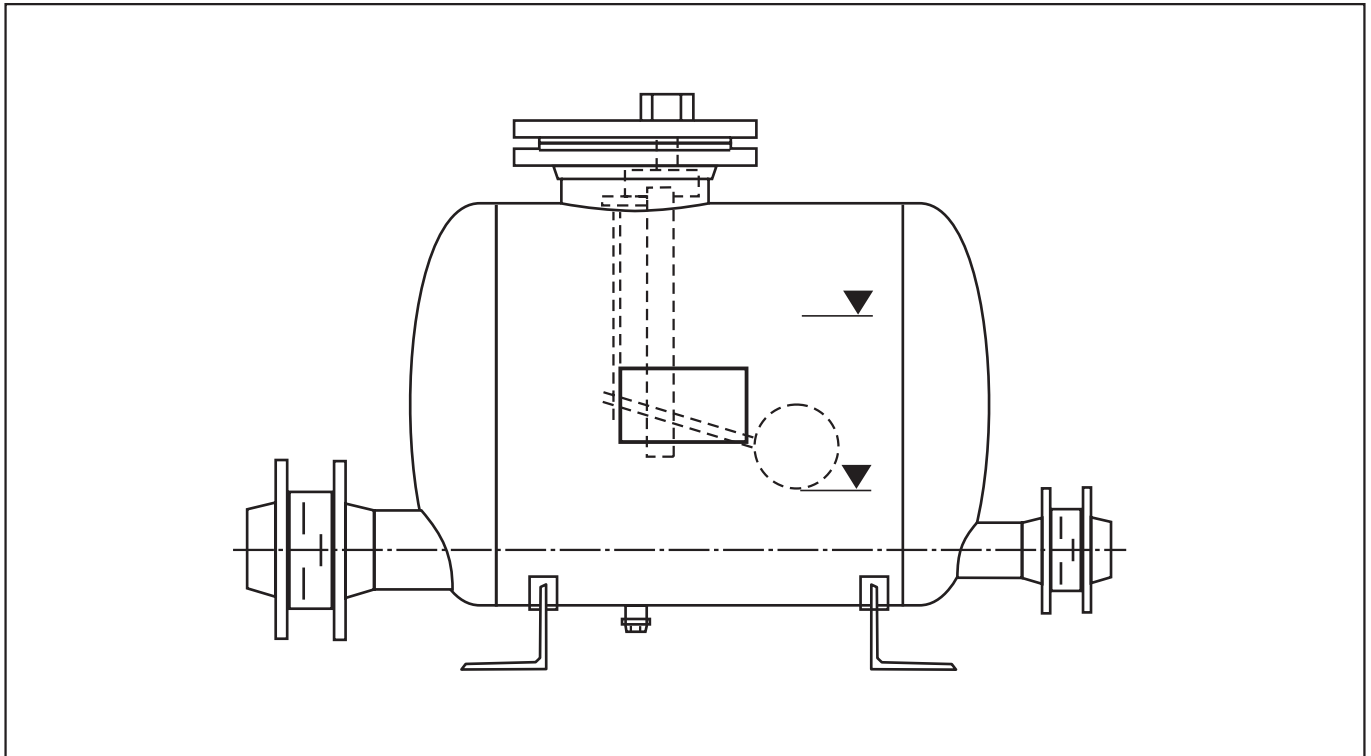
The standard version is suitable for condensate flowrates of up to 10 t/h and a max. service pressure of 12 bar g.

The condensate return tank is made from steel type P265GH. Outside: anti-corrosion coating. Inside: untreated.

Associated valves and equipment such as pressure gauge assembly, solenoid valve, level electrode and control for automatic booster steam supply, non-return valves are completely assembled and interconnected.

Size	Volume l	Pumping capacity m <sup>3</sup> /h	Booster steam pressure barg	Pump capacity bar
KH 13- 2	50	2	12	8.4
KH 13- 3	75	3	12	8.4
KH 13- 5	100	5	12	8.4
KH 13-10	390	10	13	8.4

Other tank and valve materials available on request.



Size	Volume l	Booster steam pressure barg	Pumping capacity
FPS 11-8	45	8	up to 1000 kg/h
FPS 23-10	88	10	up to 2300 kg/h
FPS 14-13	100	12	up to 5000 kg/h

UNA 25-PS and UNA 25-PK are also available for flowrates of approx. up to 600 kg/h.

Other materials for tank and valves available on request.

### Application of the Fluid Lifter

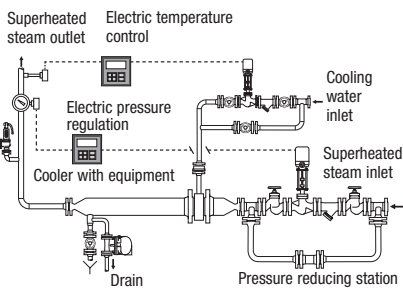
Condensate tanks are used to collect the condensate from steam processors or flash vessels. From the tank the condensate is returned to the main condensate tank or deaerator with the aid of float-controlled booster steam.

### Steam-Powered Condensate-Return Unit (Fluid Lifter) type FPS 14...

The condensate is returned to the main condensate tank with the aid of booster steam, without electric power. The standard version of the FPS 14 is suitable for condensate flowrates of 5 t/h and a max. service pressure of 12 barg.

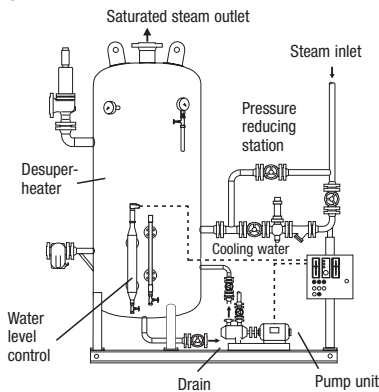
The discharge capacity decreases with rising back pressure. The tank is made of steel of P265GH. Outside: anti-corrosion coating. Inside: untreated. The non-return valves are completely assembled and interconnected, inclusive of counter-flanges, bolts and gaskets.

### System 1



EK, Injection cooler with fixed jet orifices

### System 2



KD, Water-bath desuperheater

## Application

- Heating installations in all industries
- Heating of drying calenders in the paper industry
- Heating of boiling pans in the foodstuff industry
- Heating of cable presses
- Radiant panels for hardware production in the electrical industry
- Steam moistening plants in the textile industry

## System Description

### System 1 Injection cooler with fixed jet orifices

The cooling water is injected through special jet orifice into the steam flow. The amount is adjusted by a control valve upstream of the desuperheater and controlled by the high differential pressure. The type and number of nozzles are dictated by the operating data. The internals of the pipe installed downstream of the equipment prevent temperature shocks at the external pipe.

### System 2 Water-bath desuperheater

The heat of the superheated steam causes the cooling water/condensate to evaporate, thereby cooling the superheated steam. The steam produced is conducted through steam separating units and has a steam content of more than 98 % (i.e. less than 2 % residual moisture).

## Criteria for System Selection

1. What is the ratio between minimum and maximum steam quantity in the control range?
2. What is the pressure and the temperature of the available cooling water?
3. How close must the temperature of the desuperheated steam be to that of saturated steam?

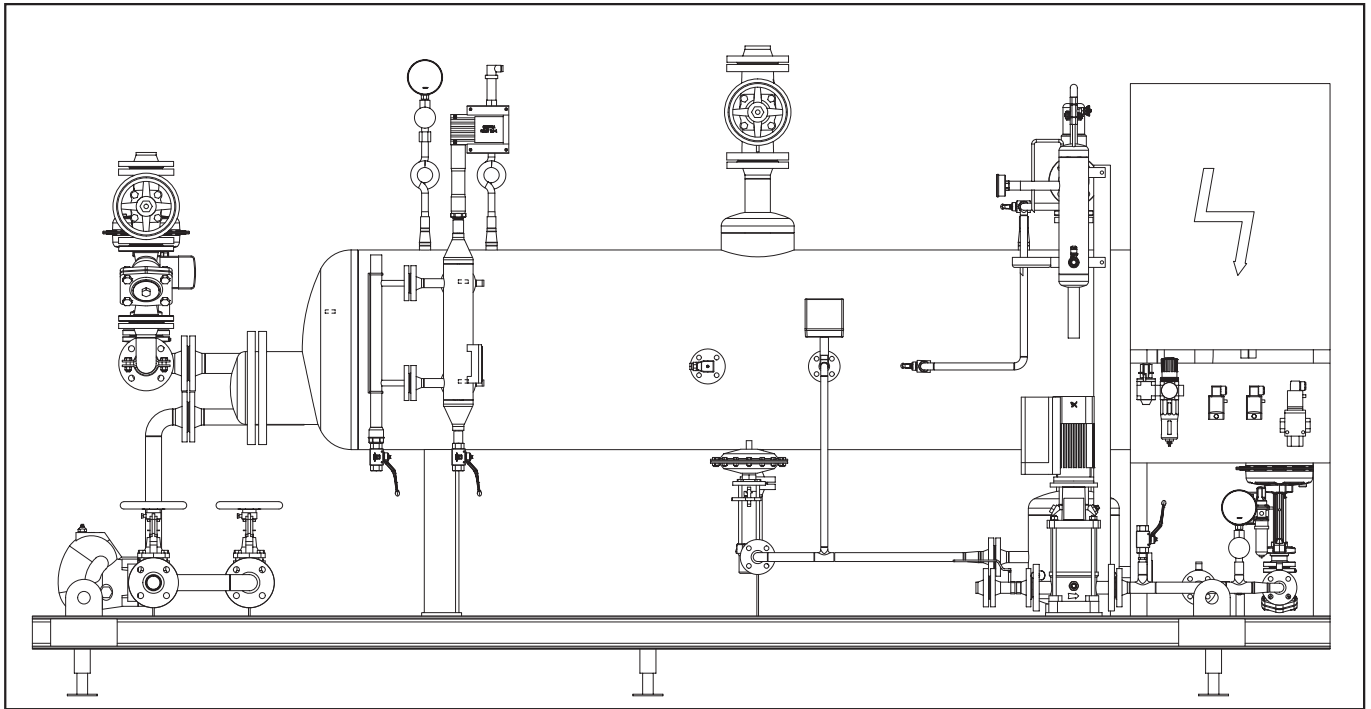
## Questions concerning System Design

1. Maximum steam flow at inlet?
2. Minimum steam flow at inlet?
3. Maximum service pressure?
4. Maximum temperature at inlet?
5. Standard temperature at inlet?
6. Temperature at outlet?
7. Saturated-steam temperature?
8. Temperature of injected cooling water?
9. Injected cooling-water flow?
10. Cooling-water pressure at cooler?
11. Pump pressure?
12. Design pressure?
13. Design temperature?
14. Length of installation?

## Technical Data

		System 1	System 2
Pressure rating	bar	28	28
Maximum temperature	°C	450	380
Cooling water pressure above steam pressure	bar	5 – 9	1
Steam flowrate	t/h	100	15
Steam flow ratio		1 : 5	1 : 100
Set point above saturation temperature	K	5	–

Higher pressures, temperatures and steam flowrates available on request.



### Application

Steam regenerators are used to produce saturated steam for a secondary system from steam or pressurized hot water.

Pure steam, without any contaminants that might be detrimental to health such as hydrazine, is produced.

Steam regenerators are therefore especially suited for sterilizing equipment in hospitals, steaming and drying chambers in the food-stuff industry, and for the production of distillates.

### Technical Data (standard)

Service pressure	primary	bar	28
Service temperature	primary	°C	250
Service pressure	secondary	bar	12
Service temperature	secondary	°C	200
Capacity range		kW	5000
Feedwater quality		µS/cm	≤ 5
Boiler water quality		µS/cm	≤ 100

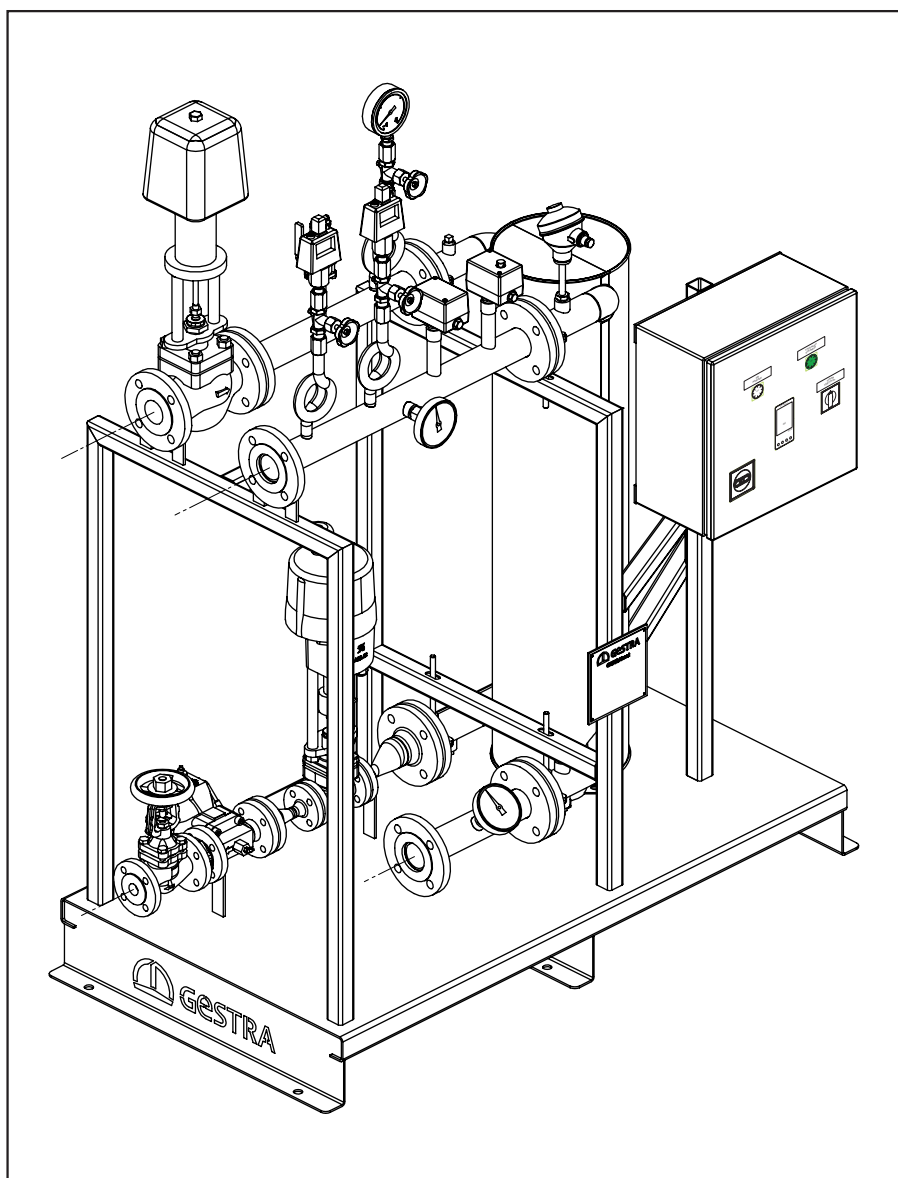
Steam regenerators for higher pressure/temperature ratings and larger capacities on request.

## Standard Installation

### Steam regenerators with self-acting, electric or electropneumatic heating-steam control

Compact system with manual intermittent / continuous boiler blowdown and the required basic equipment of a feedwater supply control system  
Limiting conditions: Quality of feedwater ≤ 5 µS/cm, pressure of heating steam: 6 barg, pressure of pure steam: 4 barg

Type	Pure steam flowrate kg/h	∅ mm	Overall length approx. mm	Max. design pressure/ temperature primary bar / °C	Max. design pressure/ temperature secondary bar / °C
GRDE 5	300	450	3300	12/200	6/200
GRDE 6	600	500	3800	12/200	6/200
GRDE 7	1000	600	3500	12/200	6/200
GRDE 8	1200	700	4000	12/200	6/200



### GESTRA Heat exchanger unit type GESTRAheat

The GESTRAheat is a compact solution for transferring energy from steam to water. It is suitable for generating a precise water temperature in applications with constant and foreseeable load conditions.

Fully assembled package with coordinated heat exchangers and temperature control devices.

Additional safety, control and steam treatment systems (if required) are easy to install.

GESTRAheat heat transfer system comprising:

Shell and tube heat exchanger equipped as follows:

#### Control on the condensate side

Stop valve on the steam side

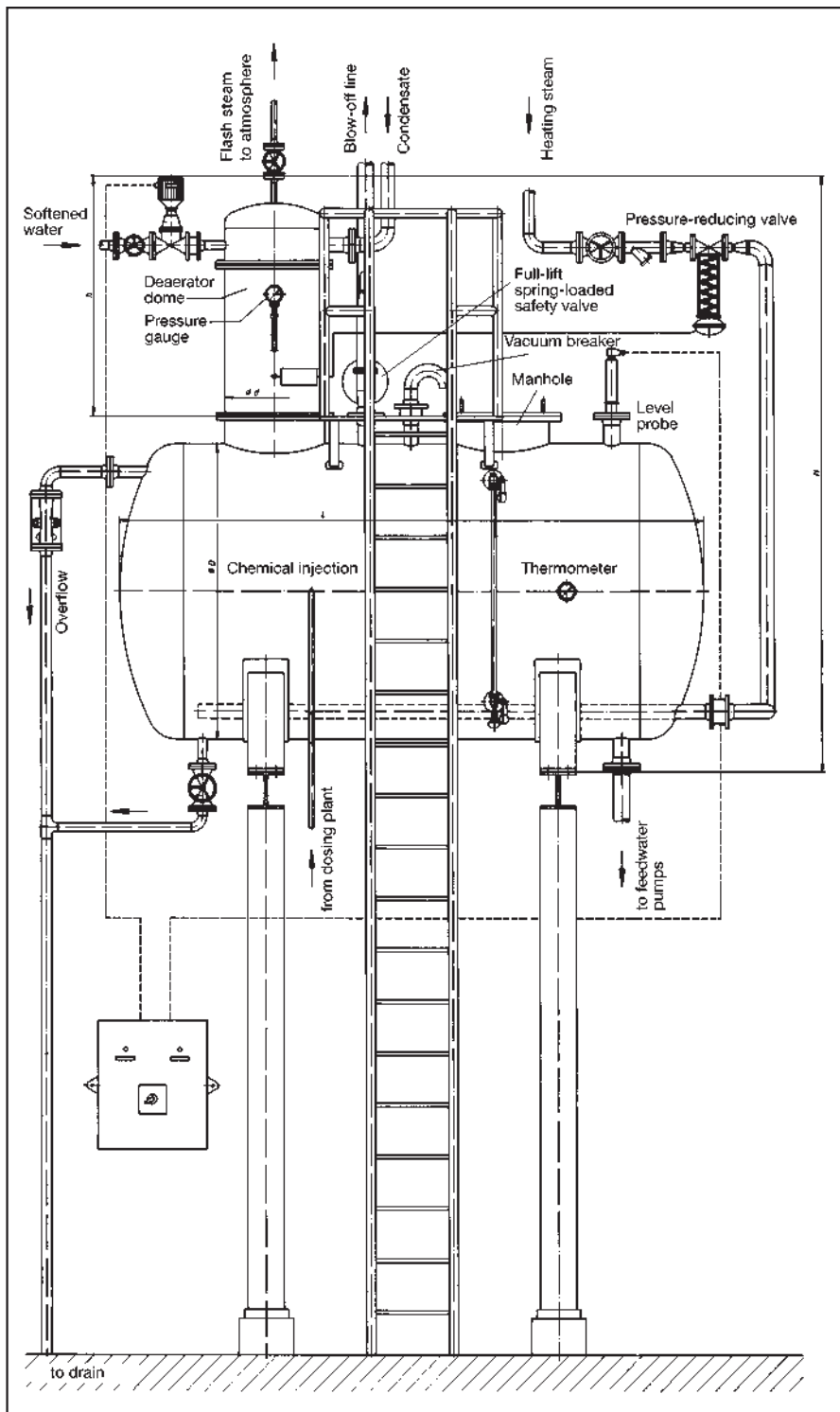
On the condensate side:  
Electrically actuated control valve

Measurement and control equipment:  
Temperature sensor, temperature regulator,  
thermometer

The system is assembled and wired ready for connection, and is delivered on a sturdy base frame.

Power supply: 230 V, 50 Hz

Type	Flow rate Water	DN steam	DN condensate	DN water	Length	Width	Height	Weight
	m <sup>3</sup> /h	N1	N2	N3, N4	L mm	B mm	H mm	kg
GH-200 kW	8.6	50	25	50	1500	800	2000	235
GH-400 kW	17.1	65	25	65	1500	800	2000	275
GH-600 kW	25.7	80	25	80	1500	800	2200	300
GH-800 kW	34.3	100	40	100	2000	1000	2300	435
GH-1000 kW	42.9	100	40	100	2000	1000	2300	435
GH-1200 kW	51.7	100	40	100	2000	1000	2300	435



**Application**

To avoid corrosion damage to steam boiler plants, the content of aggressive gases, such as oxygen and carbon dioxide, in the feedwater must be as low as possible. The German Technical Supervisory Association (VdTÜV) has issued directives concerning boiler feedwater quality which are applied by German boiler manufacturers when giving a warranty on their boilers. Thermal deaeration in addition to chemical deaeration is very important for maintaining the required feedwater quality.

**Recommendation:**

For quality of soft water:  
 Concentration of chloride approx. 50 mg/l  
 Conductivity approx. 250 µS/cm

**Deaerating dome NDR**

Type	Capacity m³/h	Ø mm	Height approx. mm
250	0.5 – 1.6	250	1050
350	1.7 – 3.0	350	1260
450	3.1 – 5.0	450	1280
550	5.1 – 8.0	555	1300
650	8.1 – 11.0	650	1820
800	11.1 – 15.0	800	1850
900	15.1 – 19.0	900	1870
1000	19.1 – 24.0	1000	1880
1200	24.1 – 33.0	1200	2323
1400	33.1 – 40.0	1400	2473

**Feedwater tank SW**

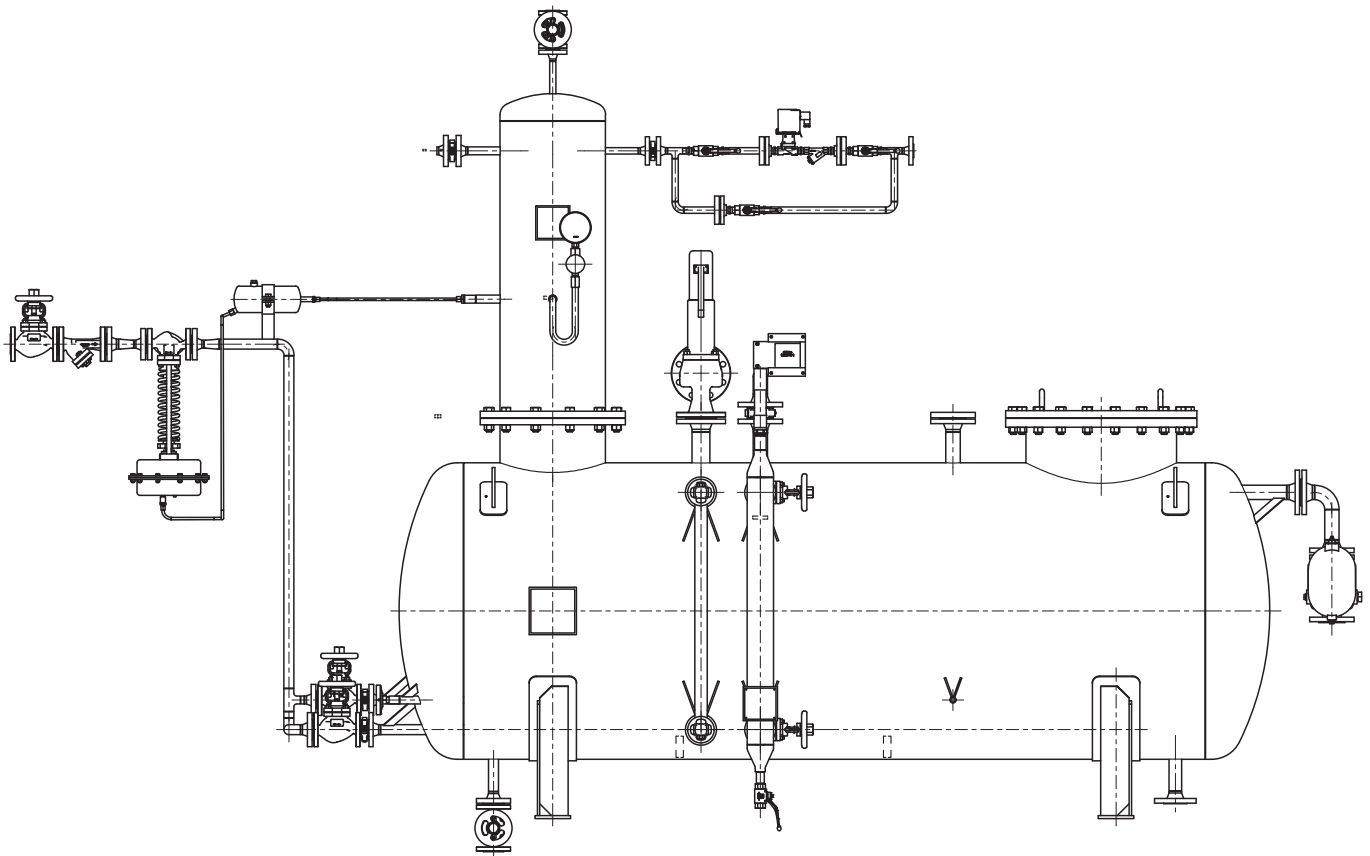
Size	Ø mm	Length approx. mm	Volume of tank l
I	800	2360	1000
II	1000	2940	2000
III	1200	3050	3000
IV	1200	3550	4000
V	1600	3680	6000
VI	1600	4680	8000
VII	1600	5680	10000
VIII	2000	5000	16000
IX	2000	7850	22000
X	2500	7050	30000
XI	2500	9100	40000

**Technical Data (standard)**

Max. service pressure	Max. service temperature	Capacity range	Materials (DIN reference)	Residual oxygen
0.5 bar	111 °C	0.5 – 24 m³/h	S235JRG2 1.4571	< 0.02 mg/l

Higher capacities and pressures on request

The base support, access ladder and operating platform are not part of the GESTRA AG product range.



**Consisting of:**

Deaerator dome NDR, completely of stainless steel 1.4571, wet deck surface permanently welded  
 surface treatment: pickled and passivated  
 feedwater tank SW, material: S235JRG2  
 surface treatment: anti-rust coating outside, untreated inside

**Operating conditions:**

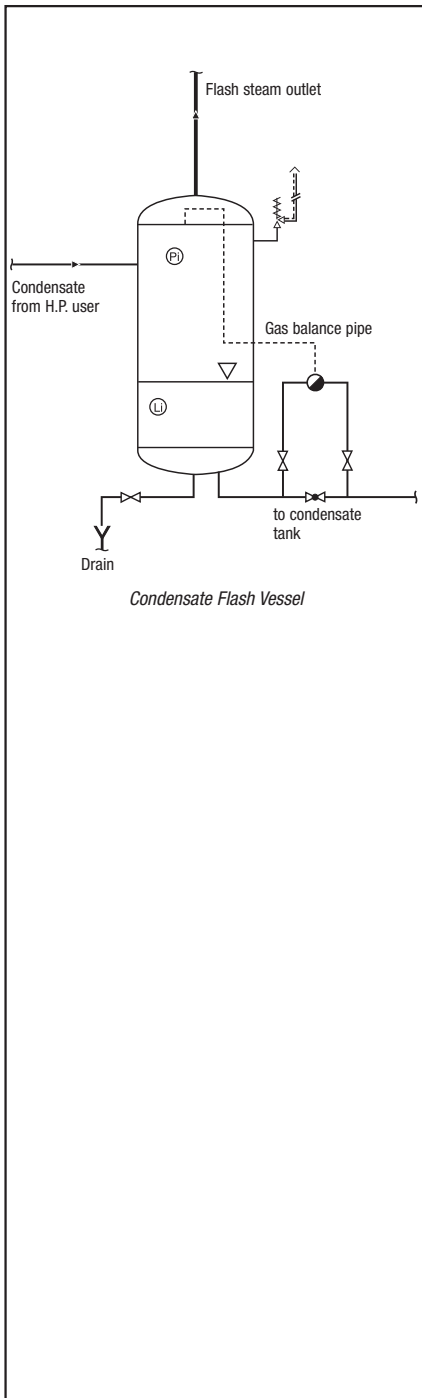
Condensate approx. 70 %, make up water approx. 30 %  
 heating steam pressure: 5 – 10 barg, operating pressure: 0.3 barg  
 admissible service pressure: 0.5 barg, admissible service temperature: 111 °C  
 Manufactured and tested in accordance with PED 2014/68/EU and AD 2000 Bulletin, conformity assessment: paragraph 4, section 3  
 Without official acceptance inspection but with factory pressure test  
 If operated properly, the residual oxygen value O<sub>2</sub> will be below 0.02 mg/l and carbon dioxide CO<sub>2</sub> will no longer be detectable.

**Supplied with:**

Basic equipment for the feedwater deaerator, water level control  
 Heating steam control (mechanical or electropneumatic)

Base, access ladder and operator platform are not included in our product range.

Type	Service pressure	Service temperature	Capacity	Residual oxygen
FD- 2m / FD- 2p	0.5 barg	111 °C	1.0 - 2.0 m <sup>3</sup> /h	< 0.02 mg/l
FD- 4m / FD- 4p			2.1 - 4.0 m <sup>3</sup> /h	
FD- 6m / FD- 6p			4.1 - 6.0 m <sup>3</sup> /h	
FD- 8m /FD- 8p			6.1 - 8.0 m <sup>3</sup> /h	
FD-10m /FD-10p			8.1 - 10.0 m <sup>3</sup> /h	



### Application

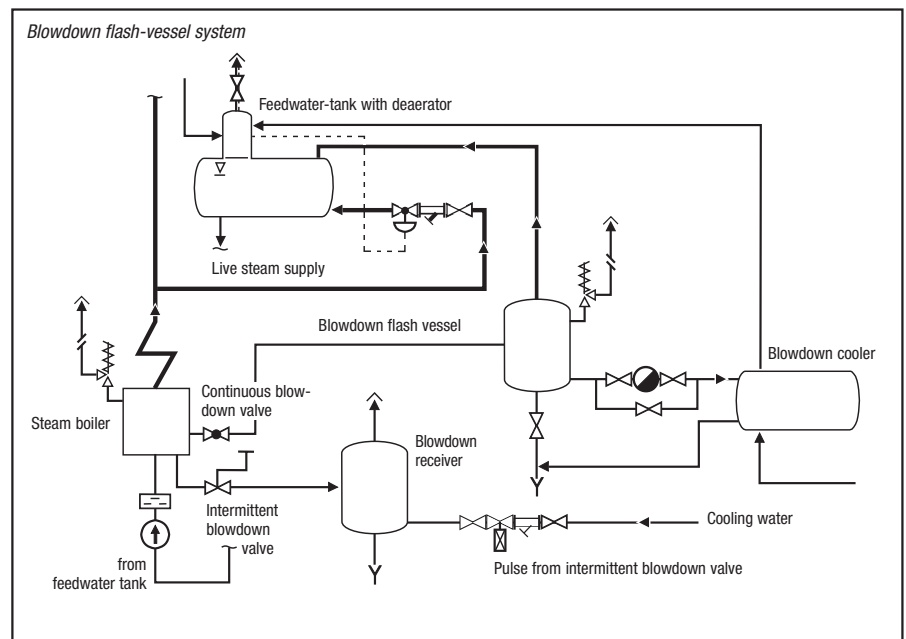
#### Condensate flash vessel

Condensate flash vessels can be used in all steam plants where condensate from steam consumers is reduced to a lower pressure. This pressure drop constitutes a change of the energy content that causes some of the condensate to revaporize and form flash steam.

In the flash vessel the flash steam is separated from the water, and then fed into a low-pressure steam system. The condensate remaining in the flash vessel is discharged into a condensate tank.

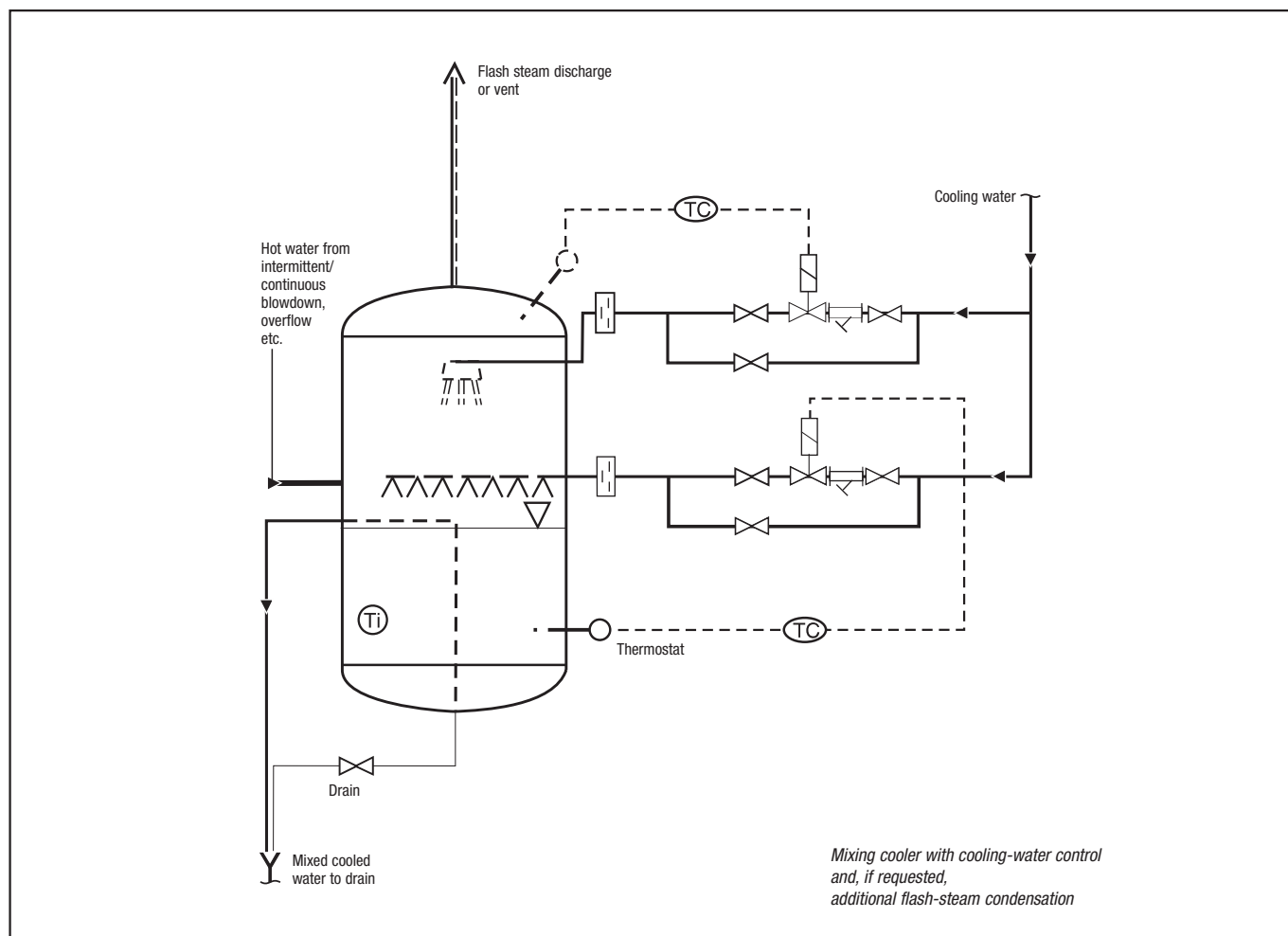
#### Blowdown flash vessel

Blowdown flash vessels are used if the flash steam formed downstream of continuous blowdown valves is to be utilized.



### Technical Data

Type	Service pressure bar	Service temperature °C	Condensate flowrate t/h	Volume l	Material (DIN reference)
VD	0.5 – 12	111 – 250	1.2 – 40	50 – 1400	S235JRG2 P265GH
VD 45	28	250	0.2 – 1.2	15	P265GH GGG-40.3



**Technical Data**

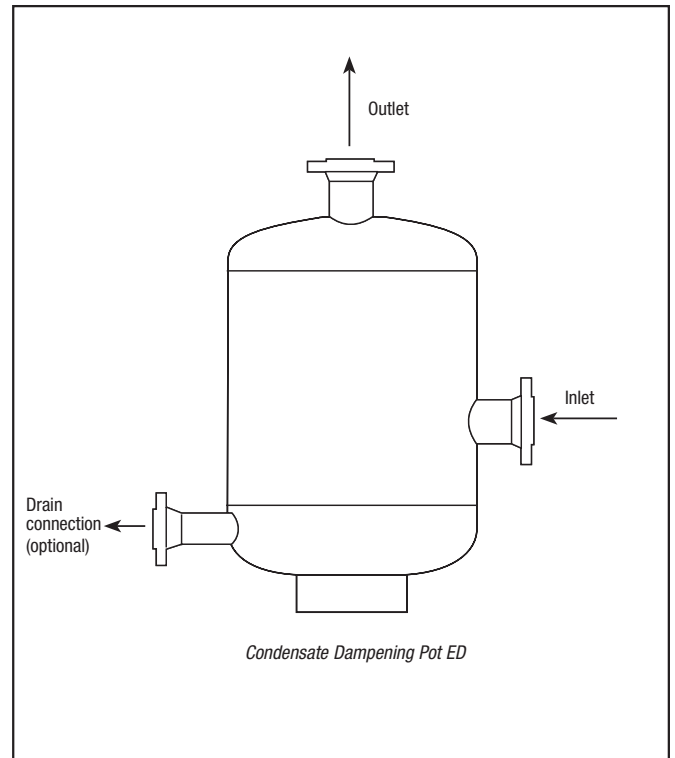
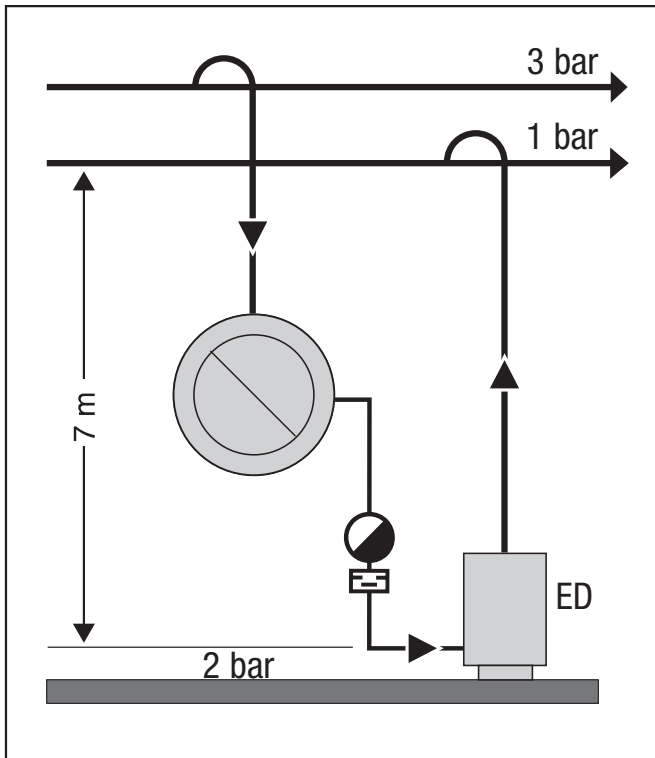
Max. service pressure	Max. temperature	Capacity range	Material
0.5 bar	111 °C	up to 15 t/h	S235JRG2 (RSt 37-2)
			P265GH (H II)
			1.4541
			1.4571

**Description**

Mixing coolers are blowdown receivers that cool hot waste water that can no longer be used for heat recovery and therefore is discharged into pits, drains or sewage systems.

**Application**

- Process plants where contaminated, hot waste water is being formed.
- Steam boiler plants where the blowdown is cooled with untreated water.
- Mixing coolers for vapours.



**Technical Data**

Service pressure	Related temperature	Capacity range	Material	Volume l
18 bar	250 °C	up to 15 t/h	S235JRG2 / P265GH	4 to 50

**Description**

The condensate dampening pot provides a cushioning effect to neutralize waterhammer. The condensate is discharged without noise.

**Application**

Steam and condensate systems.

## Description

Steam separators are used to remove condensate and dirty water carry-over from steam. By this means trouble-free operation and a long service life of the heat exchanger and steam consumer is obtained.

## Application

Downstream of steam boilers and steam-generating units.

Between boiler and superheater.

In steamlines ahead of steam manifolds.

In district-heating lines and flash steam lines.

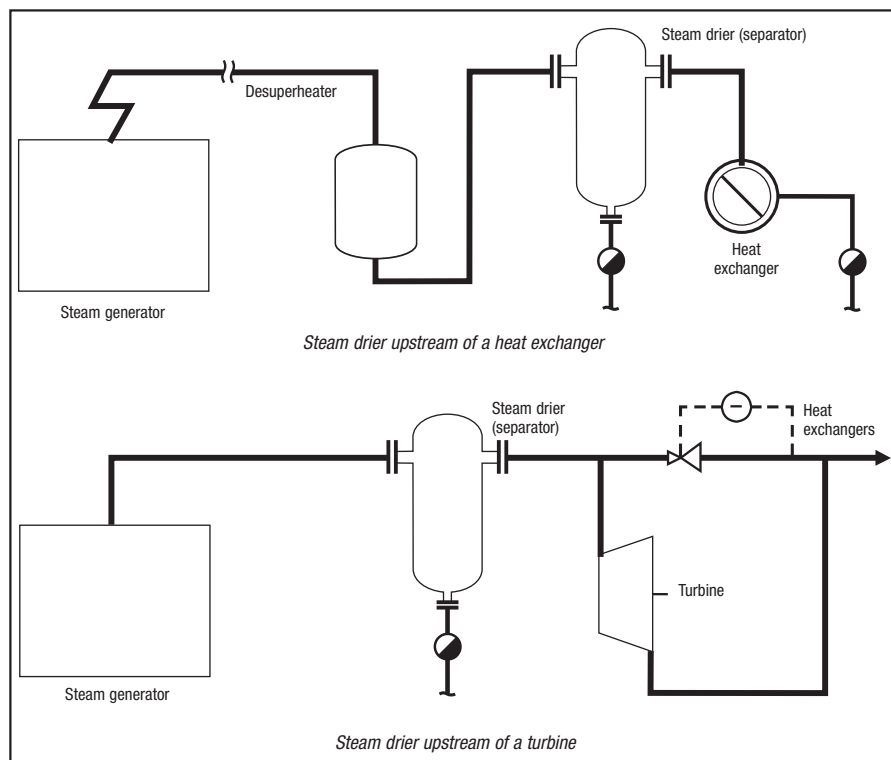
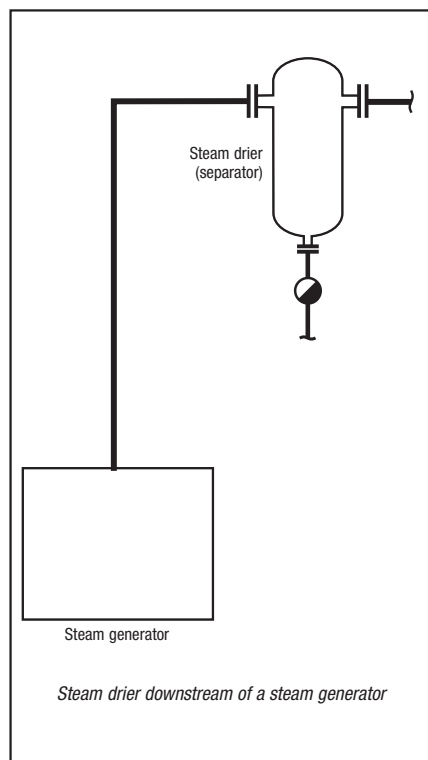
Upstream of turbines, steam engines, steam tools.

For direct heating with steam.

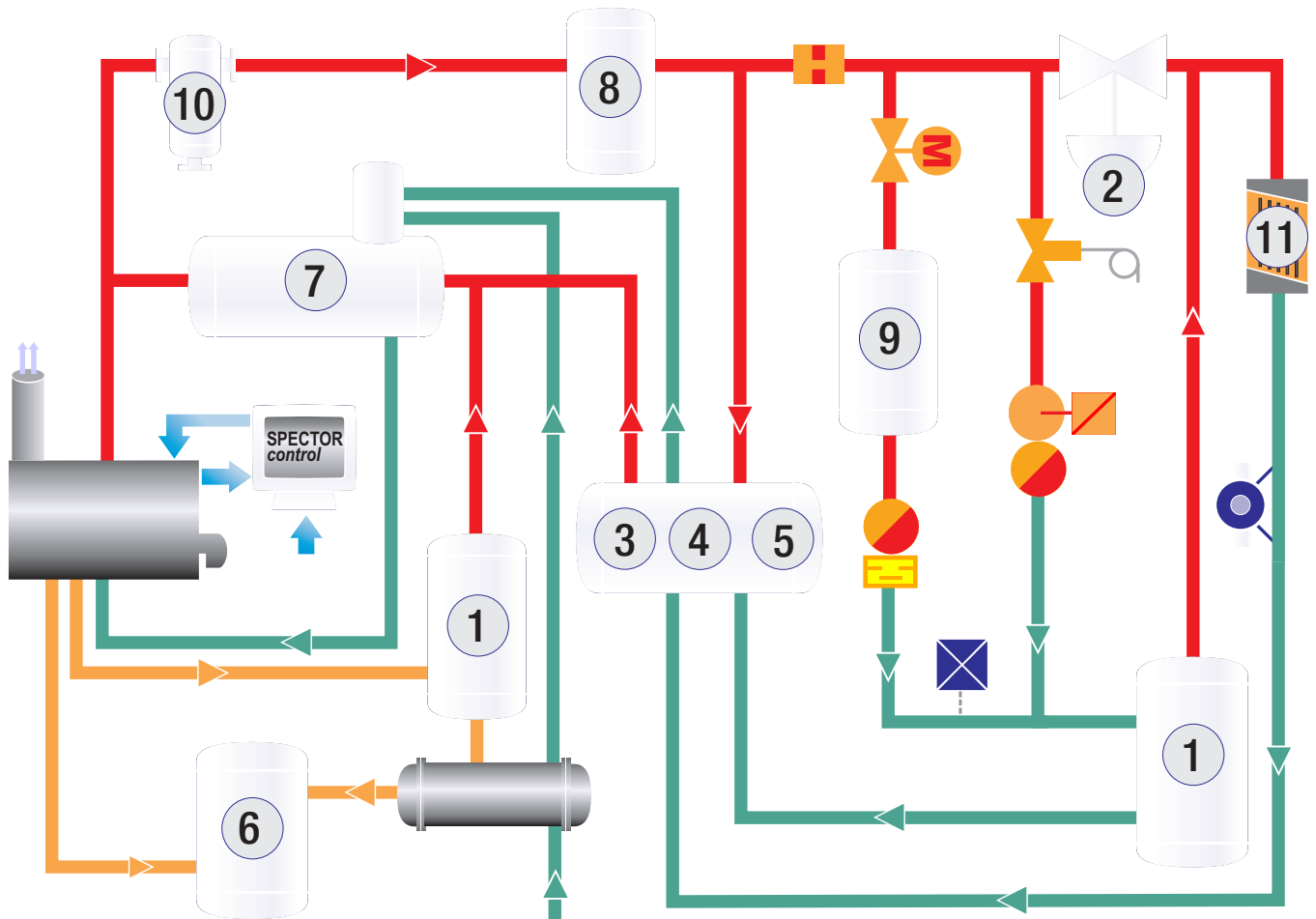
In spray-vapour humidifier systems for air-conditioning plants.

## Technical Data

Pressure rating	Nominal sizes DN	Materials
PN 16 PN 40 PN 63 PN 100 PN 160	15 to 500 mm	P235GH
		S235JR+N
		P265GH
		16 Mo 3
		1.4571



## CAESar Sizing Software



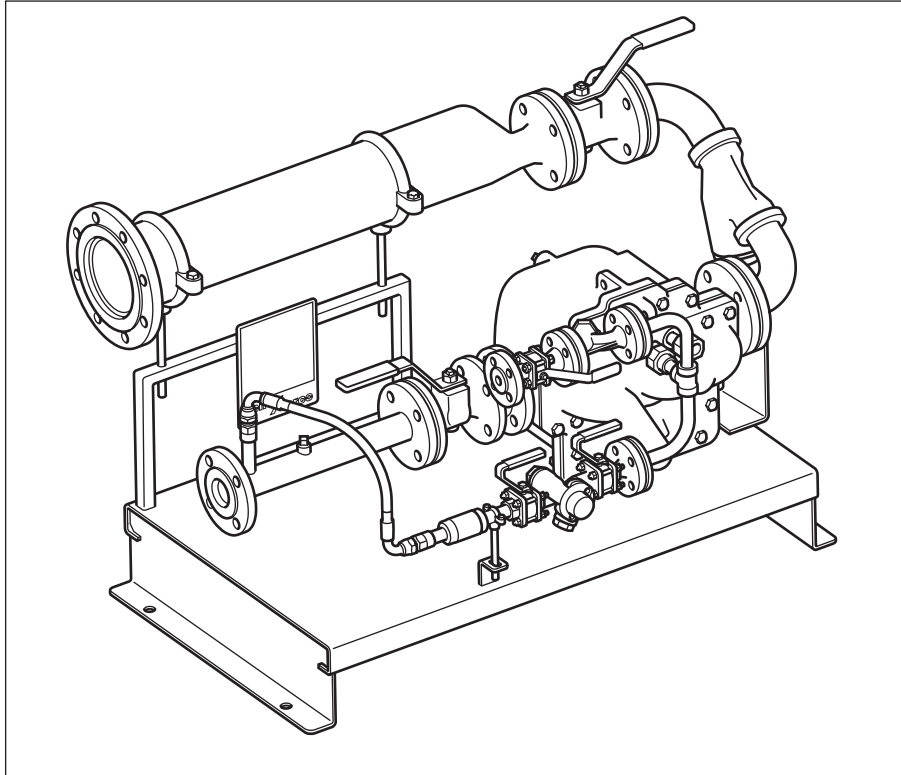
1. Flash vessel
2. Steam pressure reducing station
3. Condensate recovery and return system (rectangular type)
4. Condensate recovery and return system (cylindrical type)
5. Steam-powered condensate return unit
6. Blowdown receiver ("mixing cooler")
7. Feedwater deaerator
8. Water-bath desuperheater

### Desuperheater: injection spray type

9. Steam regenerator
10. Steam drier TD
11. Heat exchanger

## UNA PK Station

**Automatic Pump-Trap Station**  
**Closed system for pumping condensate with motive steam**  
**(without auxiliary electric power)**



### Description

The UNA PK Station is a plug in system attached to a base and supporting frame for easy installation. Each unit comes with a condensate receiver, motive supply drain trap and ancillaries.

### Application

The UNA PK Station is specifically designed to remove condensate from plant under 'stall' conditions. The whole system is capable of handling capacities up to 2 800 kg/h pumping and 9000 kg/h trapping, depending on available differential pressure.

### Capacity

The size of the pump trap station depends on the motive steam pressure, backpressure (height, pressure in return system and friction loss) and process conditions. To choose the correct size for your application please contact GESTRA.

Unit size			W Condensate inlet	X Motive supply	Y Exhaust/ balance line	Z Condensate outlet	Pump steam trap inlet/outlet	Pumping capacity
UNA PK Station	DN 100 x DN 25 (4" x 1")	PN 16	DN 100	DN 15	DN 15	DN 25	DN 40 / DN 25	5 litres per lift
UNA PK HK Station	DN 125 x DN 40 (5" x 1½")	PN 16	DN 125	DN 15	DN 15	DN 40	DN 50 / DN 40	8 litres per lift

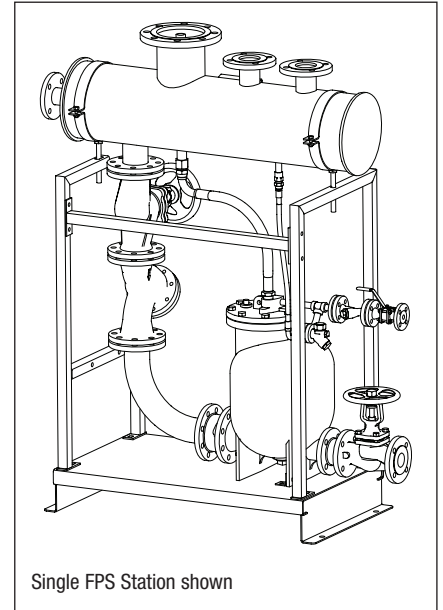
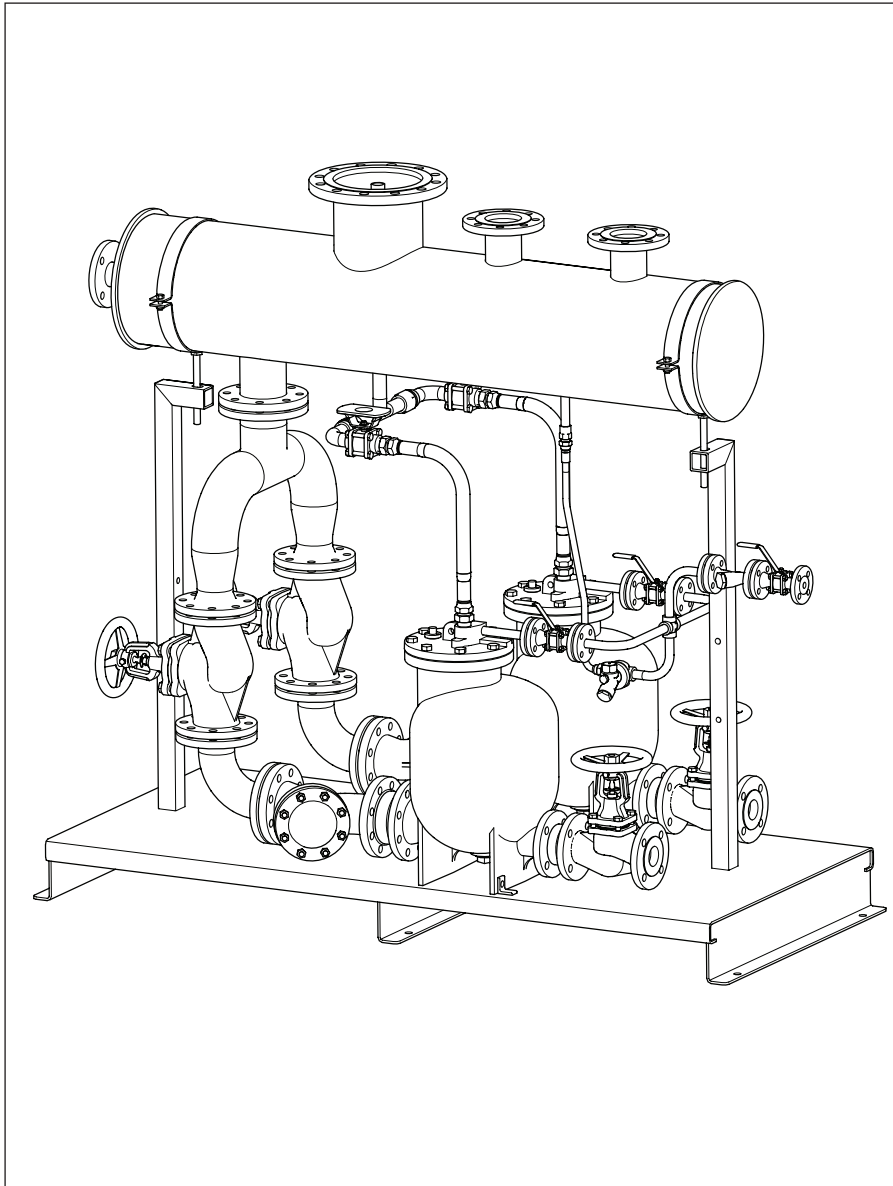
### Limiting conditions

Unit design conditions	PN 16
Maximum motive inlet pressure (steam)	13.8 barg
Maximum operating pressure	13.8 barg
Maximum backpressure	5 barg
Maximum operating temperature	198 °C
Minimum operating temperature	0 °C
Designed for a maximum cold hydraulic test pressure of	24 barg

**FPS Station**

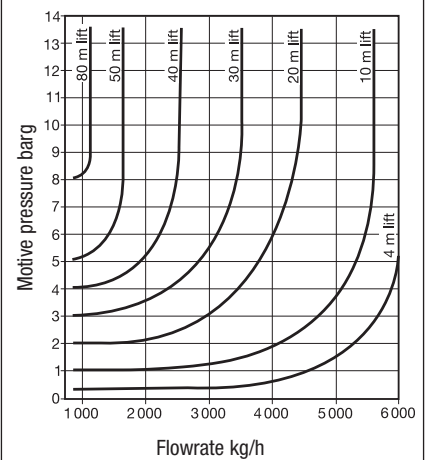
**Steam-Powered Condensate-Return Station**

Open system for pumping condensate with motive steam (without auxiliary electric power)



Single FPS Station shown

**Pump capacities of a single FPS station  
DN 80 x DN 50**



**Description**

The FPS Station is available with either single, duplex or triplex (on request as special order ETO) pumps, mounted on a single base plate, that can be used for duty only or duty/stand-by applications.

**Application**

The GESTRA FPS Stations (Steam-Powered Condensate-Return Stations) are plug-in systems specifically designed to collect and pump hot condensate; commonly returned for use as boiler feedwater. Operated by steam, the FPS Station can be tailored to suit a wide range of condensate handling applications.

**Pressure/temperature limits**

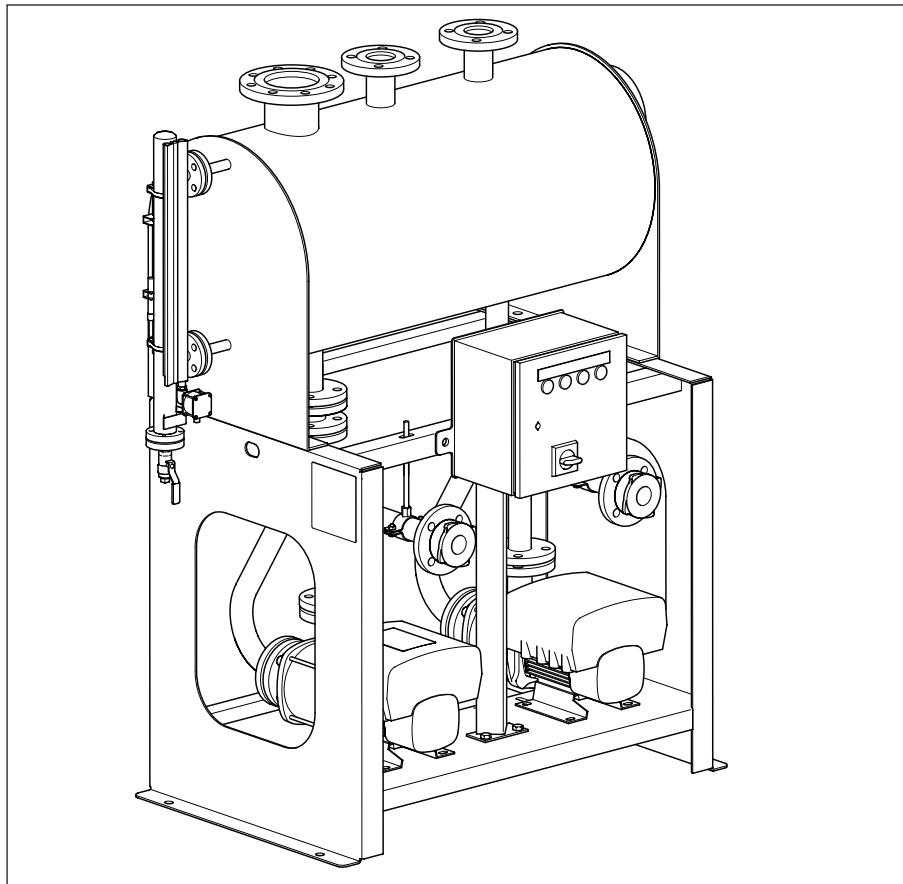
Flanges: PN16 EN 1092  
 Max. operating pressure: 13.8 barg  
 Max. operating temperature: 0/198 °C  
 Max. operating pressure of : 0.5 barg

**Capacity**

Unit size	Approximate maximum capacities (with 4 m lift) kg/h	
	Single FPS Station	Duplex FPS Station
DN 25 (1")	1300	
DN 40 (1½")	2000	4000
DN 50 (2")	4000	8000
DN 80 x DN 50 (3" x 2")	6000	12000

**SDL 200 Compact and SDL 500 Compact**

**Condensate Recovery and Return Systems (VSD pumps) (open system)**



**Description**

Pump housing and impellers are constructed from stainless steel and are designed for low NPSH conditions to handle hot condensate with the minimum of flooded suction. The package comprises of receiver, frame, pumps, valves and level controls.

**Application**

The GESTRA SDL 200 and 500 Compact Condensate Recovery and Return Systems with VSD (variable speed drive) pumps are designed to handle hot flashing condensate, which is commonly used as boiler feed water. The pumps have variable speed drives which provide significant energy saving over traditional fixed speed pumps.

**Pressure/temperature limits**

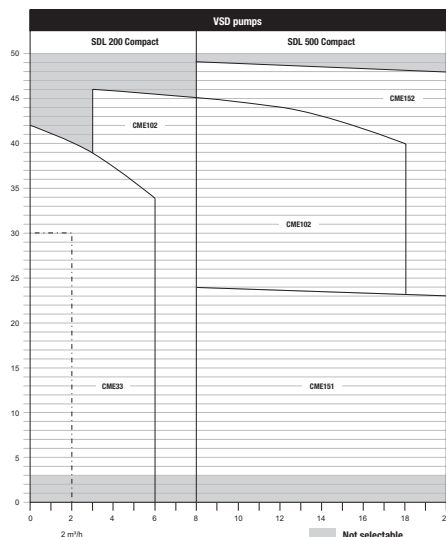
Flanges for vent, overflow, condensate inlet and outlet connections: PN16 EN 1092

Max. condensate temperature: 98°C

The receiver is designed to operate at atmospheric pressure.

Type	Connections	V Outlet	W Overflow	X Vent	Y Inlet	Z Inlet
<b>SDL 200 Compact</b>						
SDL 200-2D-CME33-VSD-SS	PN 16	DN 25	DN 80	DN 100	DN 50	DN 50
SDL 200-4D-CME102-VSD-SS		DN 40	DN 80	DN 100	DN 50	DN 50
<b>SDL 500 Compact</b>						
SDL 500-4D-CME102-VSD-SS	PN 16	DN 40	DN 80	DN 100	DN 80	DN 80
SDL 500-5D-CME151-VSD-SS		DN 50	DN 80	DN 100	DN 80	DN 80
SDL 500-5D-CME152-VSD-SS		DN 50	DN 80	DN 100	DN 80	DN 80

**Capacity**



## VHE Vapour Heat Exchanger



### Description

As standard the construction is completely stainless steel and the tube side is all in AISI 316. There are no gaskets (with the exception of the piping connection) and no painted components. The heat-exchanging surface is of straight corrugated tubes designed for low viscosity fluids and for turbulent flow working conditions. The tube sheets are of an integral type and are supplied ready for installation.

### Application

The GESTRA VHE is a vapour heat exchanger with connections to utilise flash steam from discharge and exhaust vent pipework to pre-heat make-up or process water thereby recovering valuable heat energy that would otherwise be lost to atmosphere.

### Capacity

Heat exchanger shell diameter	Steam mass flow		Heat load		Water flow	
	kg/h	(lb/h)	KW	(MBtu/h)	kg/h	(Gal/m)
<b>VHE 1½" -1F</b>	30	(66)	19	(0.06)	804	(3,5)
<b>VHE 2" -1F</b>	50	(110)	31	(0.1)	1350	(6)
<b>VHE 3" -1F</b>	100	(220)	62	(0.2)	2690	(11,8)
<b>VHE 4" -1F</b>	200	(440)	125	(0.42)	5370	(23,5)
<b>VHE 6" -1F</b>	300	(660)	187	(0.6)	8060	(35,5)
<b>VHE 8" -1F</b>	500	(1102)	312	(1.06)	13400	(59)
<b>VHE 10" -1F</b>	750	(1653)	469	(1.6)	20100	(88,5)

\*) Performance calculation with  $\Delta T$  of 20 °C (36 °F) increase in water temperature.

Different water flowrates result in different temperature increases.

\*\*) Sized with maximum inlet steam velocity 15 m/s (49 ft/s)

### Pressure/temperature limits

TMA Maximum allowable temperature	Shell side	6 bar g (87 psi g)	300 °C (572 °F)
	Tube side	12 bar g (174 psi g)	200 °C (932 °F)
PMA Maximum allowable pressure	Shell side	-10 °C to + 200 °C (14 °F to 392 °F)	12 bar g (174 psi g)
	Tube side		

**E-mail: info@de.gestra.com**

Condensate flowrate \_\_\_\_\_ kg/h

Condensate temperature \_\_\_\_\_ °C

Condensate pressure \_\_\_\_\_ bar(a)

**Tank design:**

angular  round  horizontal  vertical  open  closed

**Condensate pumps:**

Qty. \_\_\_\_\_

Discharge head \_\_\_\_\_ mWS

Mains voltage \_\_\_\_\_

Horizontal pump  Vertical pump

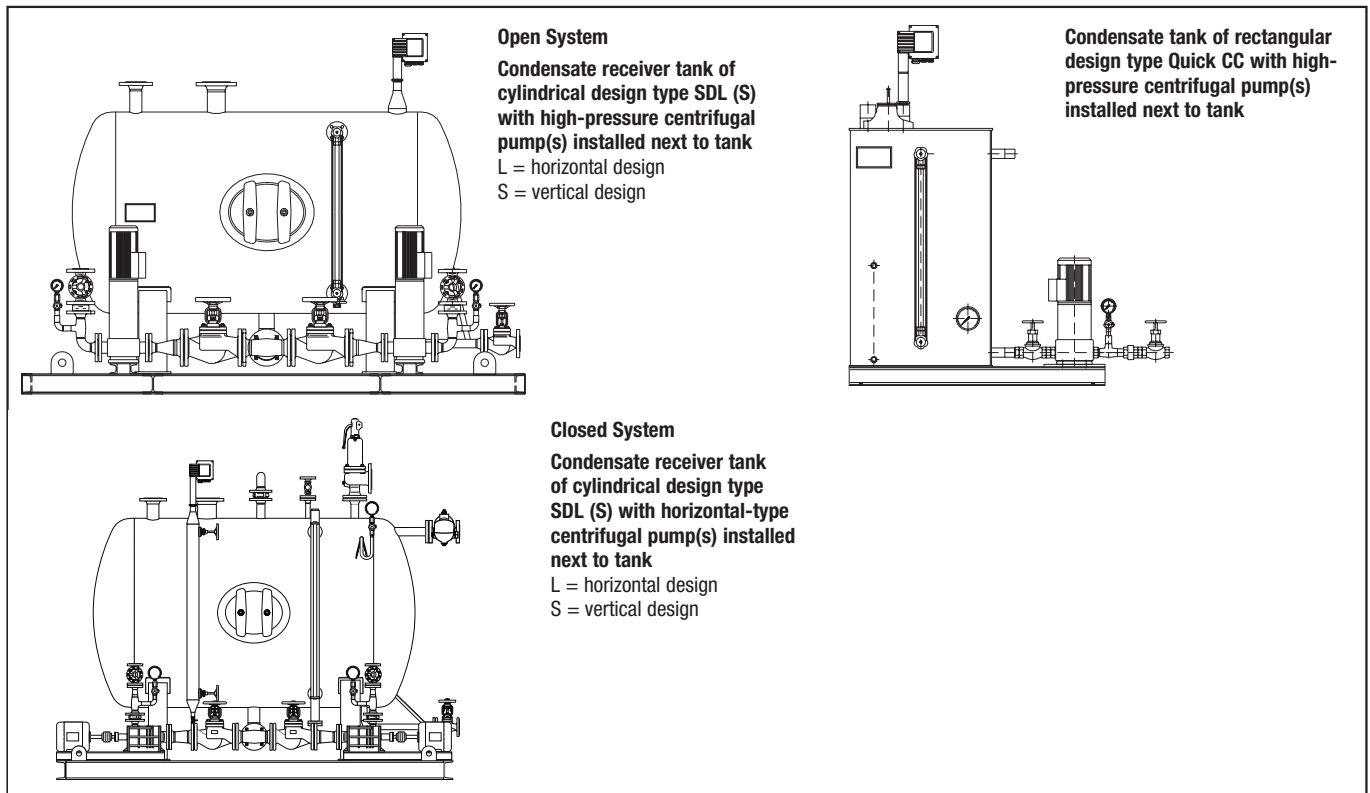
**Supply options:**

Accessories detached  Accessories assembled and interconnected

**Condensate tank made of:**

Steel  
 Stainless steel grade 1.4571 (X6CrNiMoTi17-12-2)

**Typical Installations**



**Open System**  
Condensate receiver tank of cylindrical design type SDL (S) with high-pressure centrifugal pump(s) installed next to tank  
L = horizontal design  
S = vertical design

**Closed System**  
Condensate receiver tank of cylindrical design type SDL (S) with horizontal-type centrifugal pump(s) installed next to tank  
L = horizontal design  
S = vertical design

Condensate tank of rectangular design type Quick CC with high-pressure centrifugal pump(s) installed next to tank

**Your details**

Name / Title
Company Name
Telephone
Fax
E-mail
Date

**E-mail: info@de.gestra.com**

**Reducing of steam pressure**

yes  no

If yes,

Self-acting control

Electro-pneumatic

**Steam flowrate** \_\_\_\_\_

**Steam pressure:**

P<sub>1</sub> \_\_\_\_\_ bara/psia upstream of pressure reducing station

P<sub>2</sub> \_\_\_\_\_ bara/psia downstream of pressure reducing and cooling station

**Steam temperature:**

t<sub>1</sub> \_\_\_\_\_ °C upstream of pressure reducing station or when no more pressure reduction takes place upstream of cooling unit

t<sub>2</sub> \_\_\_\_\_ °C downstream of pressure reducing and cooling station

**Cooling fluid:**

P<sub>4</sub> \_\_\_\_\_ bar/psi upstream of cooler

if not fitted

t<sub>4</sub> \_\_\_\_\_ °C upstream of cooler

with pump  yes  no

**Water-bath desuperheater**

t<sub>2</sub> = t<sub>s</sub>

**Injection cooler**

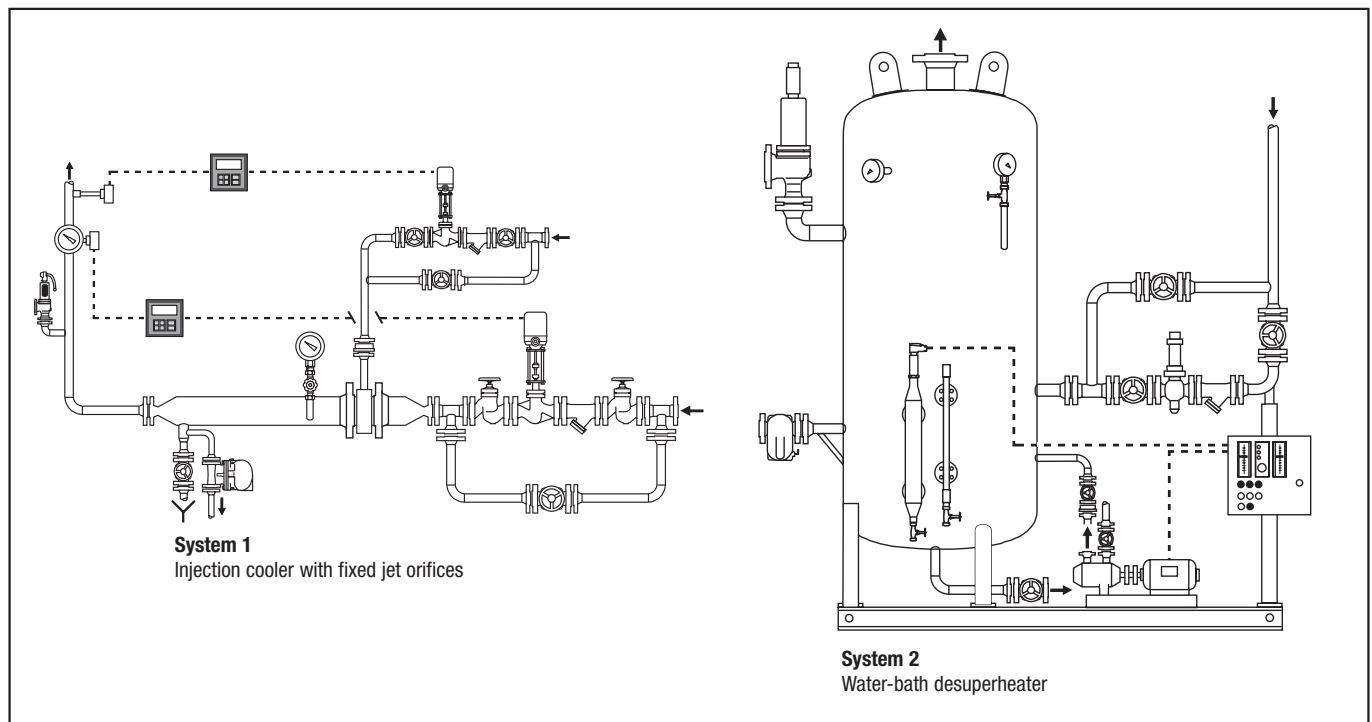
t<sub>2</sub> = t<sub>s</sub> + > 5° controllable

**Supply options for water-bath desuperheater:**

Accessories detached

Accessories assembled

**Typical Installations**



**Your details**

Name / Title
Company Name
Telephone
Fax
E-mail
Date

**E-mail: info@de.gestra.com**

Pure steam output \_\_\_\_\_ kg

**Service data (primary)**

Medium:  Steam  Hot water  
 Pressure \_\_\_\_\_ bara/psia      Temperature On \_\_\_\_\_ °C  
 Temperature Off \_\_\_\_\_ °C

**Services data (secondary)**

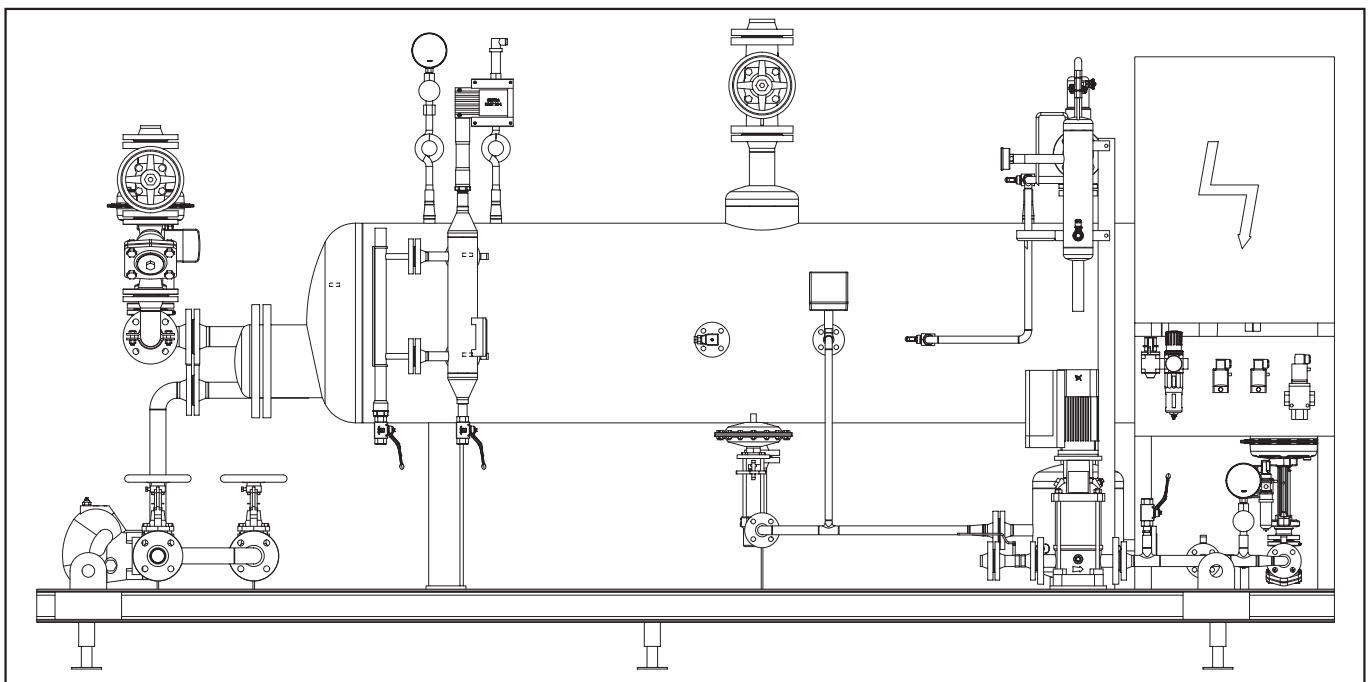
Medium:  Steam      Feedwater  
 Pressure \_\_\_\_\_ bara/psia      Temperature \_\_\_\_\_ °C

Control (pressure side)  Self-acting  Pneumatic

Feedwater control  Solenoid valve or control valve  Feedwater pump

Application \_\_\_\_\_  
 \_\_\_\_\_

**Typical Installation**



**Your details**

Name / Title
Company Name
Telephone
Fax
E-mail
Date

**E-mail: info@de.gestra.com**

Boiler capacity \_\_\_\_\_ kg/h

Make-up water flowrate \_\_\_\_\_ kg/h    Temperature approx. \_\_\_\_\_ °C

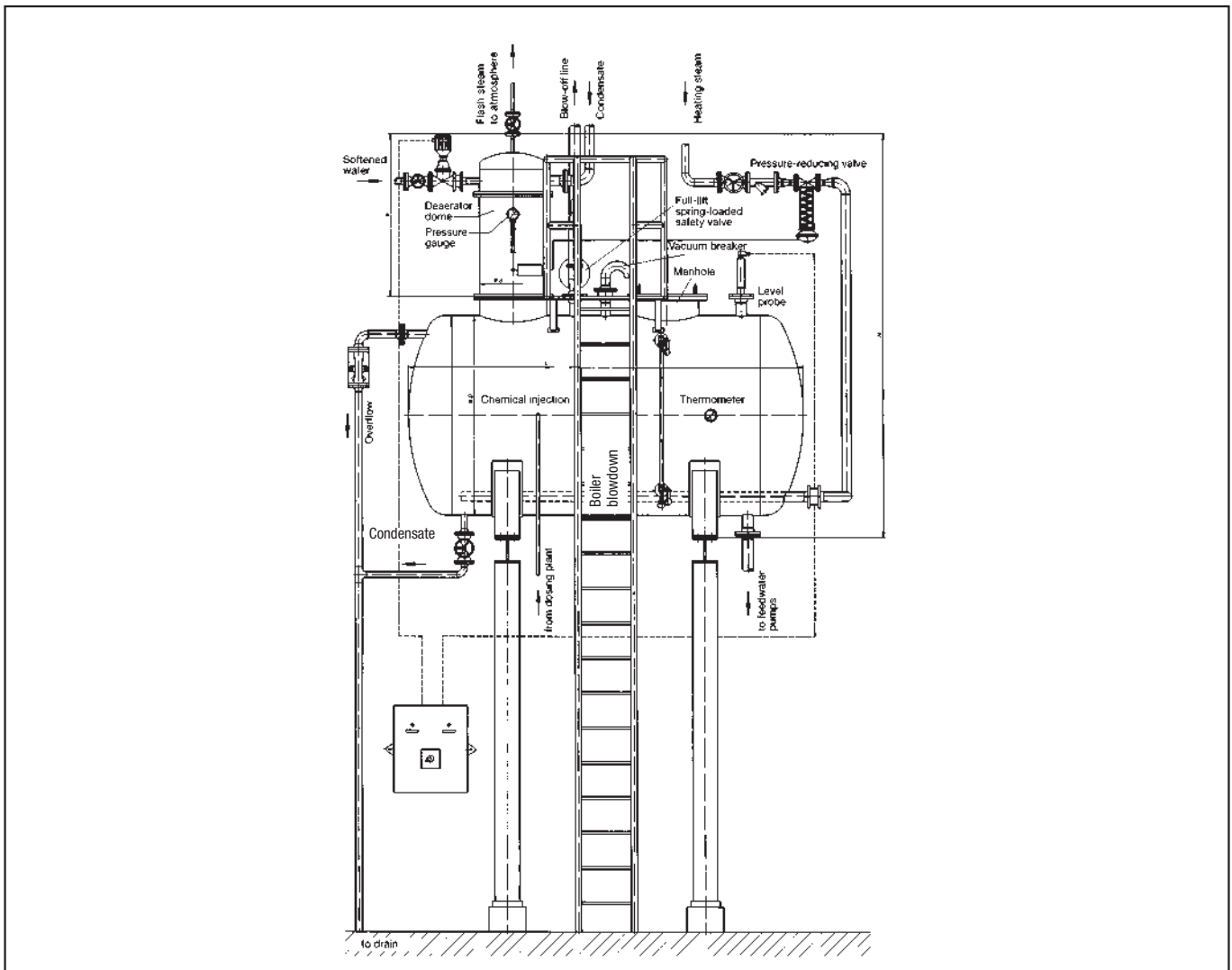
Steam pressure \_\_\_\_\_ bar(a)

Service pressure (deaerator) \_\_\_\_\_

Make-up feed control         Electric         Pneumatic

Pressure control             Self-acting     Electric         Pneumatic

**Typical Installation**



**Your details**

Name/Title
Company Name
Telephone
Fax
E-mail
Date

**E-mail: info@de.gestra.com**

**Pressure  $p_1$**  upstream of steam trap at steam user  
(boiler pressure at flash vessel)

$P_1 =$  \_\_\_\_\_ bar(a)/psi(a)

**Pressure  $p_2$**  of flash steam at flash outlet to low pressure system

$P_2 =$  \_\_\_\_\_ bar(a)/psi(a)

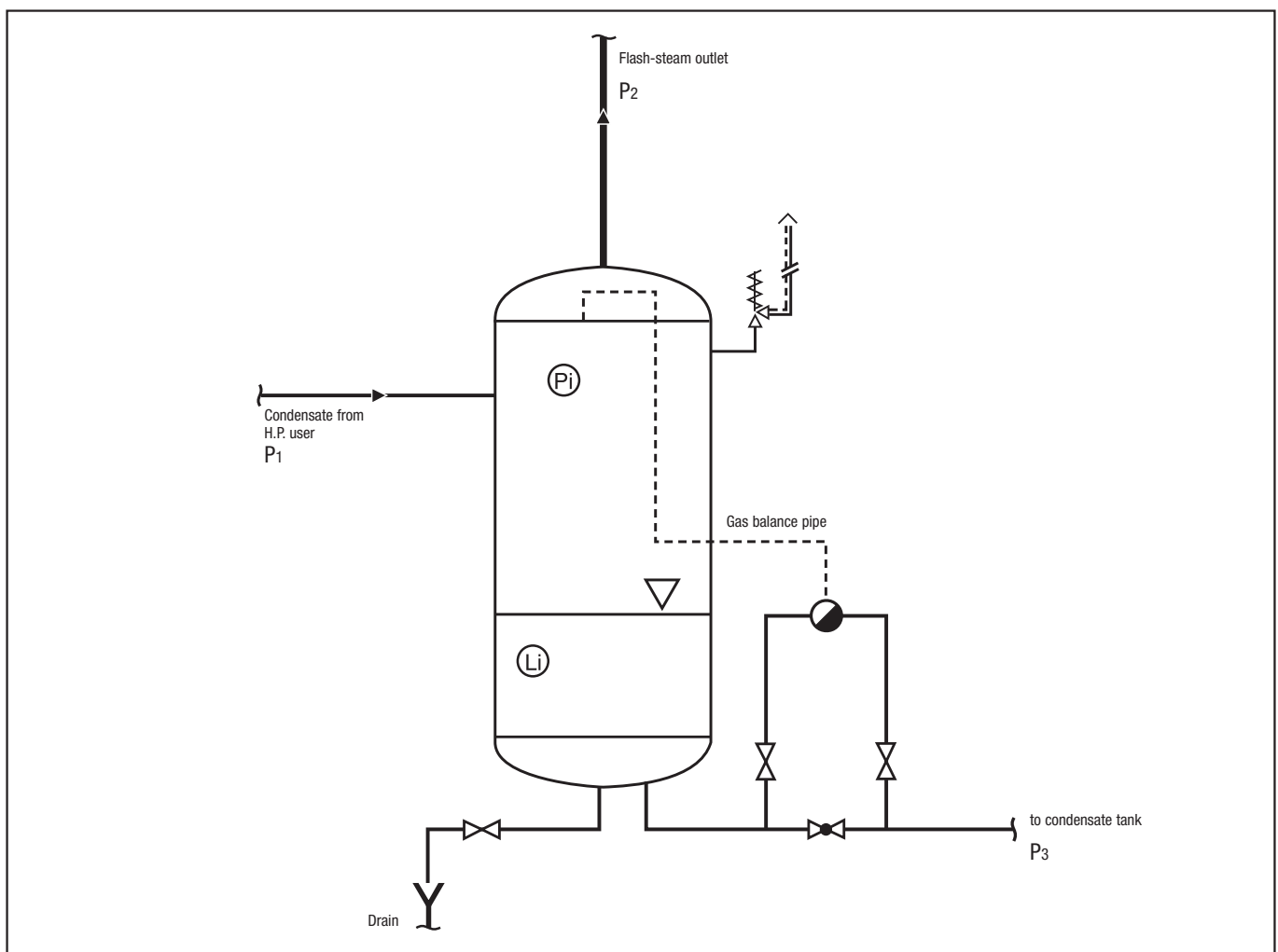
**Pressure  $p_3$**  downstream of steam trap after the flash vessel

$P_3 =$  \_\_\_\_\_ bar(a)/psi(a)

**Condensate flowrate** to flash off

$m =$  \_\_\_\_\_ kg/h

**Typical Installation**



**Your details**

Name/Title
Company Name
Telephone
Fax
E-mail
Date

**E-mail: info@de.gestra.com**

Hot-water flowrate \_\_\_\_\_ kg/h

Hot-water temperature \_\_\_\_\_ °C

Hot-water pressure \_\_\_\_\_ bar(a)

Cooling-water temperature \_\_\_\_\_ °C

Cooling-water pressure \_\_\_\_\_ bar(a)

**Material**

Steel

Edelstahl 1.4571

**Application**

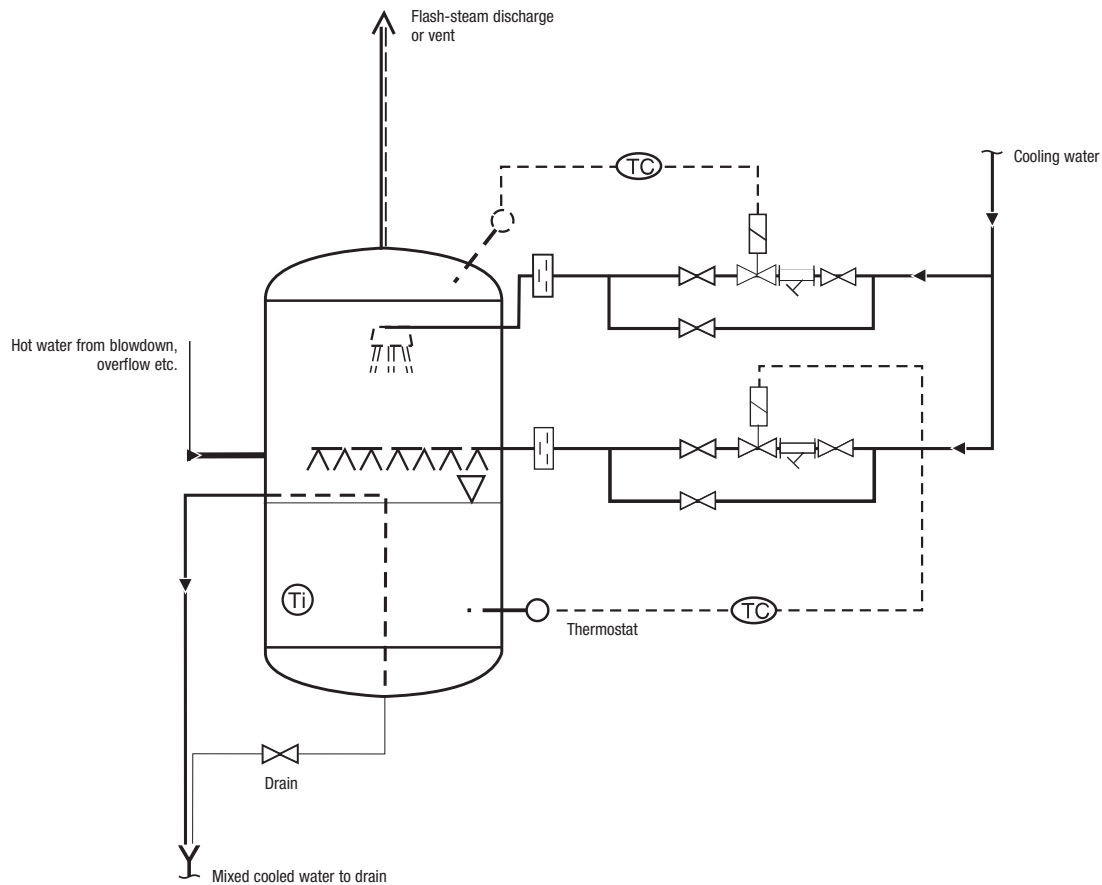
Boiler blowdown

Other

Flash steam condensation

**Typical Installation**

*Mixing cooler with cooling-water control and, on request, with additional flash-steam condensation*



**Your details**

Name/Title
Company Name
Telephone
Fax
E-mail
Date

**E-mail: info@de.gestra.com**

**Thermal output** \_\_\_\_\_

**Service data (primary)**

Medium:  Steam  Hot water  Thermal oil  
 Pressure \_\_\_\_\_ bar/psi Temperature (in) \_\_\_\_\_ °C Flowrate \_\_\_\_\_ kg/h  
 Temperature (out) \_\_\_\_\_ °C  
 Material:  Steel  Stainless steel grade 1.4571  
 (X6CrNiMoTi 17-12-2)

**Service data (secondary)**

Medium:  Steam  Hot water  Thermal oil  
 Pressure \_\_\_\_\_ bar/psi Temperature (in) \_\_\_\_\_ °C Flowrate \_\_\_\_\_ kg/h  
 Temperature (out) \_\_\_\_\_ °C  
 Material:  Steel  Stainless steel grade 1.4571  
 (X6CrNiMoTi 17-12-2)

**Control**  Self-acting  Electric  
 Pneumatic

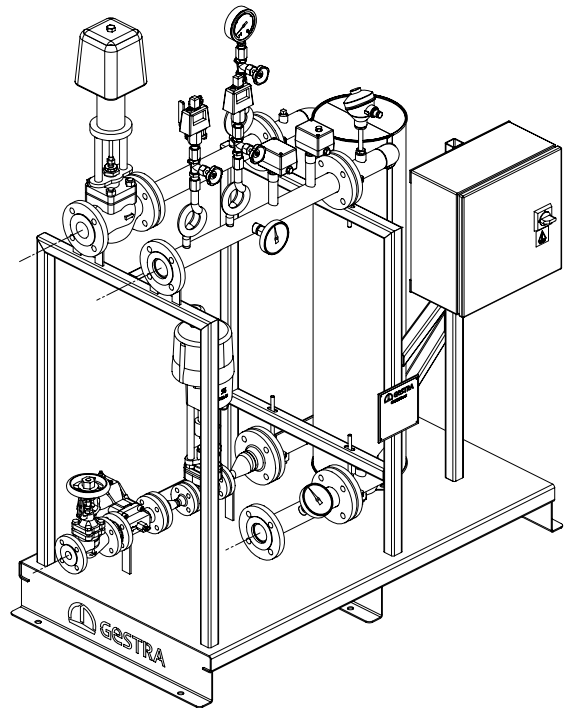
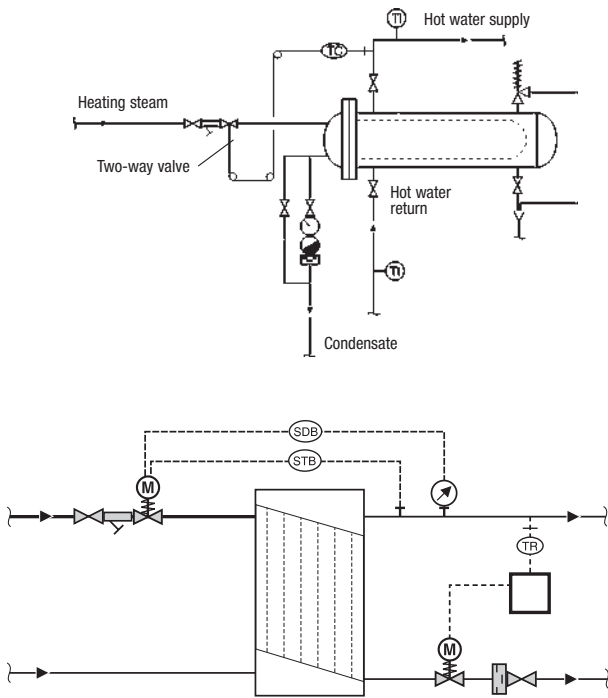
**Controlled from the condensate side**

**Design**  horizontal tube bundle heat exchanger  
 vertical tube bundle heat exchanger  
 GESTRA heat exchanger unit type GESTRAheat

**Typical Installation**

*GESTRA Heat Exchanger controlled from the steam side with constant temperature of the secondary circuit*

*GESTRA Heat exchanger unit type GESTRAheat*



*GESTRA heat exchanger, controlled on the condensate side and with safety shut-off on the steam side*

**Your details**

Name / Title
Company Name
Telephone
Fax
E-mail
Date

## E-mail: [info@de.gestra.com](mailto:info@de.gestra.com)

**Medium:**  Saturated steam  Superheated steam  Air  Gas \_\_\_\_\_

**Flowrate:**  $\dot{m} =$  \_\_\_\_\_ kg/h  $\dot{V}_N =$  \_\_\_\_\_ Nm<sup>3</sup>/h

**Service pressure:**  $p =$  \_\_\_\_\_ bara/psia

**Service temperature:**  $t =$  \_\_\_\_\_ °C

**Admissible pressure:**  $p =$  \_\_\_\_\_ barg/psig

**Approved temperature:**  $t =$  \_\_\_\_\_ °C

**Connections:** Inlet/Outlet: DN/PN \_\_\_\_\_

Condensate outlet: DN/PN \_\_\_\_\_

**Material:**  S235JRG2 (RSt 37-2)  P265GH (H II)  16 Mo 3

1.4571 (V4A)  \_\_\_\_\_

### Your details

Name/Title
Company Name
Telephone
Fax
E-mail
Date

<b>GESTRA Academy</b>	<b>Page</b>
Mobile Testing Station, See-Through Demo Facility . . . . .	186

<b>Tools for Design Engineers, Users &amp; Operators</b>	<b>Page</b>
Programs & Sizing Software . . . . .	187
GESTRA Steam Traps & Valves Library CAD drawings . . . . .	187

<b>Documentation and Reference Literature</b>	<b>Page</b>
GESTRA Condensate Manual . . . . .	188
Brochures and Leaflets . . . . .	188
Technical Infos . . . . .	188
Data Sheets, Installation and Operating Instructions . . . . .	188

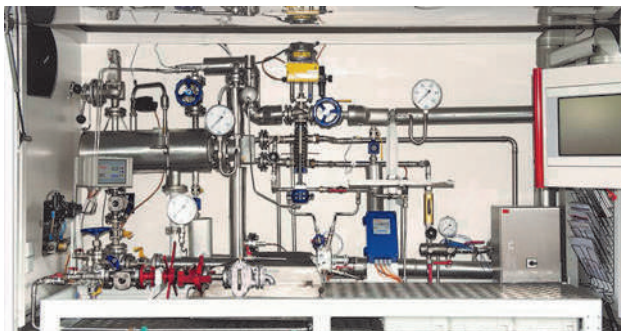
<b>General Information</b>	<b>Page</b>
Information on ATEX Directive 2014/34/EU . . . . .	189
Information on Pressure Equipment Directive (PED) 2014/68/EU . . . . .	190 – 191
Combined Imperial and S. I. Steam Tables . . . . .	194 – 195
DIN Material Reference Chart . . . . .	196
Design of GESTRA Valves . . . . .	197

<b>Search Index</b>	<b>Page</b>
Index by Product Name. . . . .	198 – 200
Index by Product Code . . . . .	201 – 203

Our GESTRA Academy offers a broad portfolio of in-depth vocational training seminars for design engineers, consultants, manufacturers and operators. As part of the workshops there will be practical hands-on demonstrations at our state-of-the-art simulation facilities on site. Evaluating and understanding what is going on in a steam system helps preventing costly malfunctions and downtime.

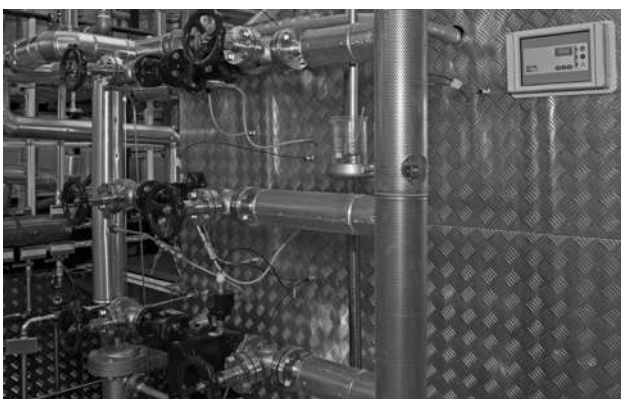
### Mobile Testing Station

Our mobile testing station is a testing, demonstration and training facility on wheels. We would be happy to send our mobile testing station together with our experienced support engineers to you in order to solve your operating problems directly on site and conduct training seminars on your premises. You provide steam, water and electricity and, by means of our mobile testing station, we provide a comprehensive and personalized workshop tailored to your specific requirements and focusing on steam and condensate systems.



### Steam Trap Test Benches

Demonstration of up-to-date electronic monitoring equipment for steam traps up to 20 bar service pressure. The installation clearly illustrates the operational mode of the various systems.



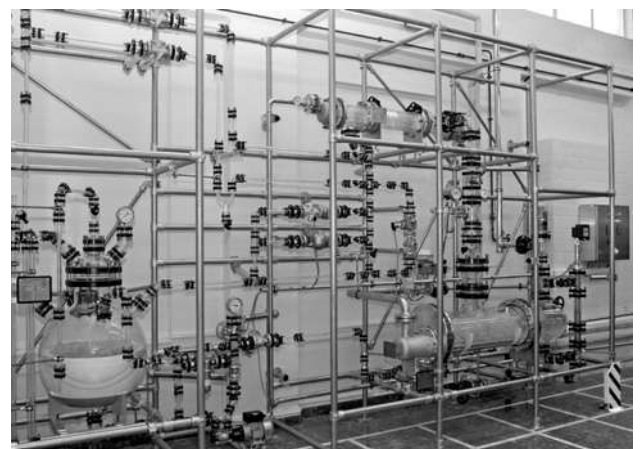
### Steam Boiler Demonstration Facility

This simulation facility provides the opportunity to demonstrate the newest and most effective boiler equipment. Design engineers, manufacturers and operators can observe different operating modes and simulations of in-service failures. Thanks to these demonstration sessions individuals gain the knowledge needed to prevent expensive failures and downtime.



### See-Through Demo Facility

Our custom-built see-through demo facility makes thermodynamic processes in steam and condensate systems visible. The whole installation is completely made from glass and allows the spectators to see effects and properties otherwise hidden from the human eyes. This facility illustrates in a practical manner some of the more abstract concepts discussed during the workshops and seminars.



**Please call us so that we can schedule a demonstration with our mobile testing station at your facility.**  
**Telephone: +49 421 3503-218/-376**

## Sizing & Selection Software and Useful Tools for Steam Practitioners

For the following software tools go to [www.gestra.com/resources](http://www.gestra.com/resources)

### **CAESar** Steam trap selecting & sizing software (*multilingual*) [www.gestra.com](http://www.gestra.com)

Select by application or by type. Filter criteria: functional type, nominal pressure, end connection and material. Output with specification text and ordering details.

### **GESTRA CALCUquick**

A software tool to help designers and steam practitioners calculate valve sizes and flow velocities and determine steam, condensate and pipe parameters.

---

## **GESTRA Steam Traps & Valves Library**

To help you design and plan an installation we offer you our extensive library with CAD drawings.

---

### **GESTRA Condensate Manual**

This handbook is intended for operators and users and illustrates typical applications encountered in steam and condensate systems, shows examples of installation and describes processes and equipment.

---

### **Brochures & Leaflets**

For more detailed information on products, properties, designs, function and application.

---

### **Technical Infos**

Answers are given to frequently asked questions regarding condensate lines, steam, boiler equipment, non-return valves and many more topics.

---

### **Data Sheets and Installation Manuals**

Technical specification of our products, description of intended use and function.  
Information on design, installation, maintenance and safe operation.  
Available in many languages.

**Please go to our website for more information:**  
[www.gestra.com](http://www.gestra.com)

## Manufacturer's Declaration on the ATEX Directive (explosion protection)

European Directive 2014/34/EU (ATEX) governs the requirements for equipment that is operated in potentially explosive atmospheres. Here, the potentially explosive atmosphere is the surrounding atmosphere. As of 20 April 2016, this European Directive has applied to the operation of electrical and non-electrical equipment in the EU member states.

The items of equipment named below were examined by means of an ignition hazard assessment to establish their suitability for use in potentially explosive atmospheres. The items of equipment do not have their own potential ignition source, in accordance with Annex II, section 1.3. Therefore, on the basis of Art. 2, section (1), the Directive does not apply.

According to Article 30(2) of Regulation (EC) No 765/2008, these items of equipment must not be labelled with the CE mark within the context of Directive 2014/34/EU. Neither do these items require a Declaration of Conformity in accordance with 2014/34/EU.

When used for their intended purpose – described in the relevant GESTRA data sheets and Installation & Operating Manuals – and as they do not have their own potential ignition source, the items of equipment named below may be used in potentially explosive atmospheres.

The GESTRA items of equipment mentioned below, in the version without electrical or pneumatic attachments, are suitable for operation in the following zones:

Zones 0, 1, 2 (gases).

### Steam traps, steam trap accessories:

Type AK, BK, DK, GK, IB, MK, SMK, TK, UBK, UC, UNA, VK

### Mechanical closed-loop control valves:

Type BW, CW, MCW

### Mechanical open-loop control valves:

Type ZK

### Continuous blowdown valves:

Type BA

### Special equipment and vessels for heat recovery:

Type TD, ED, KMS

The GESTRA items of equipment mentioned below are suitable for operation in the following zones: Zones 0, 1, 2 (gases) and Zones 20, 21, 22 (dusts).

### Check valves:

Type BB, CB, MB, RK, SBO.

### Strainers:

Type SZ.

### Requirements:

For Gas Group IIC, coatings must not have a thickness in excess of 200 µm and plastic stickers are limited to 20 cm<sup>2</sup> each.

If coatings are thicker and plastic stickers are larger, the appropriate Gas Group will be IIB. This permits coating thicknesses of < 2 mm and the use of plastic stickers measuring 100 cm<sup>2</sup>.

**Note:** Some electrical and non-electrical items marketed by GESTRA and not mentioned here have undergone a conformity assessment by the original manufacturer and can be used in certain potentially explosive atmospheres. If you have any questions about using this equipment in potentially explosive atmospheres for your particular application, please contact us. If necessary, you can find details in the relevant data sheets, Installation & Operating Manuals and Declarations of Conformity.

Bremen, February 2024

p.p.   
Kerstin Borchers  
ATEX Officer



Fluid group 1: hazardous substances, poisonous, flammable  
 Fluid group 2: non-hazardous substances, e.g. water, steam, air

Pressure CL acc. to name plate

marking yes	Fluid		Valve	Type	Type no.	PN/CL	Size (DN)																				
	Module	Gr. 1					Gr. 2	10/15	20	25	32	40	50	65	80	100	125	150	200	250	300	350	400	450	500	600	700
A2 – Check Valves																											
X	H	X	X	BB	12A / 22A / 32A	149	10																				
X	H	X	X	BB	14A / 24A / 34A	149	16																				
X	H	X	X	BB	15A / 25A / 35A	149	25/CL150																				
X	H	X	X	BB	16A / 26A / 36A	149	40/CL300																				
X	H	X	X	BB	17A	149	63																				
X	H	X	X	BB	18A	149	100/CL600																				
X	H	X	X	BB	19A	149	160/CL900																				
X	H	X	X	BB	12C / 22C / 32C	143	10																				
X	H	X	X	BB	14C / 24C / 34C	143	16																				
X	H	X	X	BB	15C / 25C / 35C	143	25/CL150																				
X	H	X	X	BB	16C / 26C / 36C	143	40/CL300																				
X	H	X	X	BB	17C	143	63																				
X	H	X	X	BB	18C	143	100/CL600																				
X	H	X	X	BB	19C	143	160/CL900																				
(X)	H		X	BB	11G / 21G	140	6																				
X	H		X	BB	12G / 22G	140	10																				
X	H		X	BB	14G / 24G	140	16																				
(X)	H		X	CB	14	138	16																				
(X)	H		X	CB	24S	132	16																				
X	H	X	X	CB	26	133	40																				
X	H	X	X	CB	26a	134	40																				
			X	MB	14	091	16	/	/	/	/	/	/	/	/	/	/	/	/	/	/	/	/	/	/	/	/
X	H	X	X	NAF-Check	526520/530 528520/530	448	25																				
X	H	X	X	NAF-Check	526620/630	448	40																				
X	H	X	X	NAF-Check	526822/832	448	100																				
(X)	H	X	X	RK	16a	118	40/CL300	/	/	/	/	/	/	/	/	/	/	/	/	/	/	/	/	/	/	/	/
(X)	H	X	X	RK	16b	124	40	/	/	/	/	/	/	/	/	/	/	/	/	/	/	/	/	/	/	/	/
(X)	H	X	X	RK	16c	117	40	/	/	/	/	/	/	/	/	/	/	/	/	/	/	/	/	/	/	/	/
(X)	H	X	X	RK	16t	125	40	/	/	/	/	/	/	/	/	/	/	/	/	/	/	/	/	/	/	/	/
(X)	H	X	X	RK	26a	114	40	/	/	/	/	/	/	/	/	/	/	/	/	/	/	/	/	/	/	/	/
(X)	H	X	X	RK	29a	109	160/CL...	/	/	/	/	/	/	/	/	/	/	/	/	/	/	/	/	/	/	/	/
(X)	H		X	RK	41	102	16	/	/	/	/	/	/	/	/	/	/	/	/	/	/	/	/	/	/	/	/
(X)	H	X	X	RK	44	103	16	/	/	/	/	/	/	/	/	/	/	/	/	/	/	/	/	/	/	/	/
(X)	H		X	RK	44s	110	16	/	/	/	/	/	/	/	/	/	/	/	/	/	/	/	/	/	/	/	/
(X)	H	X	X	RK	49	107	160	/	/	/	/	/	/	/	/	/	/	/	/	/	/	/	/	/	/	/	/
(X)	H		X	RK	70	095	6	/	/	/	/	/	/	/	/	/	/	/	/	/	/	/	/	/	/	/	/
(X)	H		X	RK	71	100	16	/	/	/	/	/	/	/	/	/	/	/	/	/	/	/	/	/	/	/	/
(X)	H	X	X	RK	76	120	40	/	/	/	/	/	/	/	/	/	/	/	/	/	/	/	/	/	/	/	/
(X)	H	X	X	RK	86	101	40/CL300	/	/	/	/	/	/	/	/	/	/	/	/	/	/	/	/	/	/	/	/
(X)	H	X	X	RK	86a	121	40/CL300	/	/	/	/	/	/	/	/	/	/	/	/	/	/	/	/	/	/	/	/
			X	SBO	11, 21, 31	086, 088, 090	6			/	/	/	/	/	/	/	/	/	/	/	/	/	/	/	/	/	/

✓ = CE and UKCA

EU: Pressure Equipment Directive 2014/68/EU, CE marking, exemption according to Article 4(3)

UK: Pressure Equipment (Safety) Regulation 2016 no. 1105, UKCA marking, exemption according to Regulation 8.





Gauge Pressure		Absolute Pressure		Saturation Temperature		Specific Enthalpy				Specific Volume Steam	
				$t_s$		Water	Evaporation	Water	Evaporation	$V_g$	
bar g	psi g	bar a	psi a	°C	°F	Sensible heat ( $h_f$ ) kJ/kg	Latent heat ( $h_{fg}$ ) kJ/kg	Sensible heat ( $h_f$ ) Btu/lb	Latent heat ( $h_{fg}$ ) Btu/lb	m <sup>3</sup> /kg	ft <sup>3</sup> /lb
-0.96	28.4	0.05	0.725	32.9	91	138	2423	59	1042	28.2	452
-0.91	27.0	0.1	1.45	45.8	114	192	2392	82	1029	14.7	236
-0.86	25.5	0.15	2.18	54.0	129	226	2373	97	1020	10.0	160
-0.81	24.0	0.2	2.90	60.1	140	251	2358	108	1014	7.65	123
-0.76	22.5	0.25	3.63	65.0	149	272	2346	117	1009	6.20	99.3
-0.71	21.1	0.3	4.35	69.1	156	289	2336	124	1004	5.23	83.8
-0.66	19.6	0.35	5.08	72.7	163	304	2327	131	1000	4.53	72.6
-0.61	18.1	0.4	5.80	75.9	169	318	2319	137	997	3.99	63.9
-0.56	16.6	0.45	6.53	78.7	174	330	2312	142	994	3.58	57.3
-0.51	15.1	0.5	7.25	81.3	178	341	2305	147	991	3.24	51.9
-0.46	13.7	0.55	7.98	83.7	183	351	2299	151	988	2.96	47.4
-0.41	12.2	0.6	8.70	85.9	187	360	2294	155	986	2.73	43.7
-0.36	10.7	0.65	9.43	88.0	190	369	2288	159	984	2.54	40.7
-0.31	9.24	0.7	10.2	90.0	194	377	2283	162	982	2.37	38.0
-0.26	7.77	0.75	10.9	91.8	197	384	2279	165	980	2.22	35.6
-0.21	6.29	0.8	11.6	93.5	200	392	2274	169	978	2.09	33.5
-0.16	4.81	0.85	12.3	95.1	203	399	2270	172	976	1.97	31.6
-0.11	3.34	0.9	13.1	96.7	206	405	2266	174	974	1.87	30.1
-0.06	1.86	0.95	13.8	98.2	209	411	2262	177	972	1.78	28.5
-0.01	0.38	1.0	14.5	99.6	211	418	2258	179	971	1.69	27.1
0	0	1.013	14.696	100	212	419	2257	180	970	1.67	26.8
0.1	1.45	1.11	16.1	103	217	430	2250	185	967	1.53	24.5
0.2	2.90	1.21	17.5	105	221	441	2243	190	964	1.41	22.6
0.3	4.35	1.31	19.0	107	225	450	2237	194	962	1.31	21.0
0.4	5.80	1.41	20.5	110	230	460	2231	198	959	1.23	19.7
0.5	7.25	1.51	21.9	112	234	468	2226	201	957	1.15	18.4
0.6	8.70	1.61	23.4	114	237	476	2220	205	954	1.08	17.3
0.7	10.2	1.71	24.8	115	239	484	2215	208	952	1.02	16.3
0.8	11.6	1.81	26.3	117	243	492	2211	212	951	0.971	15.6
0.9	13.1	1.91	27.7	119	246	499	2206	215	948	0.923	14.8
1.0	14.5	2.01	29.2	120	248	506	2201	218	946	0.881	14.1
1.1	16.0	2.11	30.6	122	252	512	2197	220	945	0.841	13.5
1.2	17.4	2.21	32.1	123	253	519	2193	223	943	0.806	12.9
1.3	18.9	2.31	33.5	125	257	525	2189	226	941	0.773	12.4
1.4	20.3	2.41	35.0	126	259	531	2185	228	939	0.743	11.9
1.5	21.8	2.51	36.4	128	262	536	2181	230	938	0.714	11.4
1.6	23.2	2.61	37.9	129	264	542	2177	233	936	0.689	11.0
1.7	24.7	2.71	39.3	130	266	547	2174	235	935	0.665	10.7
1.8	26.1	2.81	40.8	131	268	552	2170	237	933	0.643	10.3
1.9	27.6	2.91	42.2	133	271	557	2167	240	932	0.622	9.96
2.0	29.0	3.01	43.7	134	273	562	2163	242	930	0.603	9.66
2.2	31.9	3.21	46.6	136	277	572	2157	246	927	0.568	9.10
2.4	34.8	3.41	49.5	138	280	581	2151	250	925	0.536	8.59
2.6	37.7	3.61	52.4	140	284	589	2145	253	922	0.509	8.15
2.8	40.6	3.81	55.3	142	288	597	2139	257	920	0.483	7.74
3.0	43.5	4.01	58.2	144	289	605	2133	260	917	0.461	7.38
3.2	46.4	4.21	61.1	146	293	613	2128	264	915	0.440	7.05
3.4	49.3	4.41	64.0	147	297	620	2123	267	913	0.422	6.76
3.6	52.2	4.61	66.9	149	298	627	2118	270	911	0.405	6.49
3.8	55.1	4.81	69.8	150	302	634	2113	273	908	0.389	6.23
4.0	58.0	5.01	72.7	152	304	641	2108	276	906	0.374	5.99
4.2	60.9	5.21	75.6	153	307	647	2104	278	905	0.361	5.78
4.4	63.8	5.41	78.5	155	309	653	2099	281	902	0.348	5.57
4.6	66.7	5.61	81.4	156	313	659	2095	283	901	0.336	5.38
4.8	69.6	5.81	84.3	158	315	665	2090	286	899	0.325	5.21
5.0	72.5	6.01	87.2	159	316	671	2086	289	897	0.315	5.01
5.5	79.8	6.51	94.4	162	324	685	2076	295	893	0.292	4.68
6.0	87.0	7.01	102	165	329	698	2066	300	888	0.272	4.36
6.5	94.3	7.51	109	168	333	710	2057	305	884	0.255	4.09
7.0	102	8.01	116	171	338	721	2048	310	880	0.240	3.84
7.5	109	8.51	123	173	343	733	2039	315	877	0.227	3.64
8.0	116	9.01	131	175	347	743	2031	319	873	0.215	3.44
8.5	123	9.51	138	178	351	753	2023	324	870	0.204	3.27
9.0	131	10.0	145	180	354	763	2015	328	866	0.194	3.11
9.5	138	10.5	152	182	360	773	2008	332	863	0.185	2.96
10.0	145	11.0	160	184	363	782	2000	336	860	0.177	2.84
10.5	152	11.5	167	186	367	790	1993	340	857	0.171	2.74
11.0	160	12.0	174	188	370	798	1986	344	854	0.163	2.61
11.5	167	12.5	181	190	374	807	1979	347	851	0.157	2.51
12.0	174	13.0	189	192	376	815	1973	350	848	0.151	2.42
12.5	181	13.5	196	193	379	823	1966	354	845	0.146	2.34
13.0	189	14.0	203	195	383	830	1960	357	843	0.141	2.26
13.5	196	14.5	210	197	385	838	1953	360	840	0.136	2.18
14.0	203	15.0	218	198	388	845	1947	363	837	0.132	2.11
14.5	210	15.5	225	200	392	852	1941	366	834	0.128	2.05
15.0	218	16.0	232	202	394	859	1935	369	832	0.124	1.99
15.5	225	16.5	239	203	397	866	1929	372	829	0.120	1.92
16.0	232	17.0	247	204	399	872	1923	375	827	0.117	1.87
16.5	239	17.5	254	205	401	879	1918	378	824	0.114	1.83
17.0	247	18.0	261	207	405	885	1912	381	822	0.110	1.76
17.5	254	18.5	268	209	408	891	1907	383	820	0.108	1.73

14.5 psi = 1 bar

Gauge Pressure		Absolute Pressure		Saturation Temperature $t_s$		Specific Enthalpy				Specific Volume Steam $V_g$	
bar g	psi g	bar a	psi a	°C	°F	Water Sensible heat ( $h_f$ ) kJ/kg	Evaporation Latent heat ( $h_{fg}$ ) kJ/kg	Water Sensible heat ( $h_f$ ) Btu/lb	Evaporation Latent heat ( $h_{fg}$ ) Btu/lb	m <sup>3</sup> /kg	ft <sup>3</sup> /lb
18.0	261	19.0	276	210	410	897	1901	386	817	0.105	1.68
18.5	268	19.5	283	211	412	903	1896	388	815	0.103	1.65
19.0	276	20.0	290	213	415	909	1890	391	813	0.100	1.60
19.5	283	20.5	297	214	417	915	1885	393	810	0.0972	1.56
20.0	290	21.0	305	215	419	920	1880	396	808	0.0949	1.52
21.0	305	22.0	319	217	423	931	1870	400	804	0.0906	1.45
22.0	319	23.0	334	220	428	942	1860	405	800	0.0868	1.39
23.0	334	24.0	348	222	432	952	1850	409	795	0.0832	1.33
24.0	348	25.0	363	224	435	962	1841	414	792	0.0797	1.28
25.0	363	26.0	377	226	439	972	1831	418	787	0.0768	1.23
26.0	377	27.0	392	228	442	982	1822	422	783	0.0740	1.19
27.0	392	28.0	406	230	446	991	1813	426	779	0.0714	1.14
28.0	406	29.0	421	232	450	1000	1804	430	776	0.0689	1.10
29.0	421	30.0	435	234	453	1009	1796	434	772	0.0666	1.07
30.0	435	31.0	450	236	457	1017	1787	437	768	0.0645	1.03
31.0	450	32.0	464	238	460	1026	1779	441	765	0.0625	1.00
32.0	464	33.0	479	239	462	1034	1770	445	761	0.0605	0.97
33.0	479	34.0	493	241	466	1042	1762	448	758	0.0587	0.94
34.0	493	35.0	508	243	469	1050	1754	451	754	0.0571	0.915
35.0	508	36.0	522	244	471	1058	1746	455	751	0.0554	0.887
36.0	522	37.0	537	246	475	1066	1737	458	747	0.0539	0.863
37.0	537	38.0	551	247	477	1073	1730	461	744	0.0524	0.839
38.0	551	39.0	566	249	480	1080	1722	464	740	0.0510	0.817
39.0	566	40.0	580	250	482	1087	1714	467	737	0.0498	0.798
40.0	580	41.0	595	252	486	1095	1706	471	733	0.0485	0.777
41.0	595	42.0	609	253	487	1102	1699	474	730	0.0473	0.758
42.0	609	43.0	624	255	491	1108	1691	476	727	0.0461	0.738
43.0	624	44.0	638	256	493	1115	1684	479	724	0.0451	0.722
44.0	638	45.0	653	258	496	1122	1676	482	721	0.0441	0.706
45.0	653	46.0	667	259	498	1129	1669	485	718	0.0431	0.690
46.0	667	47.0	682	260	500	1135	1662	488	715	0.0421	0.674
47.0	682	48.0	696	261	502	1142	1654	491	711	0.0412	0.660
48.0	696	49.0	711	263	505	1148	1647	494	708	0.0403	0.646
49.0	711	50.0	725	264	507	1155	1640	497	705	0.0395	0.633
50.0	725	51.0	740	265	509	1161	1633	499	702	0.0386	0.618
52.0	754	53.0	769	268	514	1173	1619	504	696	0.0371	0.594
54.0	783	55.0	798	270	518	1185	1605	509	690	0.0356	0.570
56.0	812	57.0	827	272	522	1197	1591	515	684	0.0343	0.549
58.0	841	59.0	856	274	525	1208	1577	519	678	0.0330	0.529
60.0	870	61.0	885	277	531	1219	1564	524	672	0.0319	0.511
62.0	899	63.0	914	279	534	1230	1551	529	667	0.0308	0.493
64.0	928	65.0	943	281	538	1241	1538	534	661	0.0297	0.476
66.0	957	67.0	972	283	541	1251	1525	538	656	0.0288	0.461
68.0	986	69.0	1001	285	545	1262	1512	543	650	0.0278	0.445
70.0	1015	71.0	1030	287	549	1272	1499	547	644	0.0270	0.432
72.0	1044	73.0	1059	289	552	1283	1486	552	639	0.0261	0.418
74.0	1073	75.0	1088	291	556	1293	1473	556	633	0.0253	0.405
76.0	1102	77.0	1117	292	559	1303	1460	560	628	0.0246	0.394
78.0	1131	79.0	1146	294	561	1312	1447	564	622	0.0239	0.383
80.0	1160	81.0	1175	296	565	1322	1435	568	617	0.0232	0.372
82.0	1189	83.0	1204	298	568	1331	1422	572	611	0.0226	0.362
84.0	1218	85.0	1233	299	570	1341	1410	576	606	0.0219	0.351
86.0	1247	87.0	1262	301	574	1350	1398	580	601	0.0213	0.341
88.0	1276	89.0	1291	302	576	1359	1385	584	595	0.0208	0.333
90.0	1305	91.0	1320	304	579	1368	1368	588	590	0.0202	0.324
92.0	1334	93.0	1349	305	581	1377	1360	592	585	0.0197	0.316
94.0	1363	95.0	1378	307	585	1386	1348	596	580	0.0192	0.308
96.0	1392	97.0	1407	309	588	1395	1336	600	574	0.0187	0.300
98.0	1421	99.0	1436	310	590	1404	1323	604	569	0.0183	0.293
100.0	1450	101.0	1465	312	594	1412	1311	607	564	0.0178	0.285
105.0	1523	106.0	1537	315	599	1433	1280	616	550	0.0168	0.269
110.0	1595	111.0	1610	319	606	1454	1249	625	537	0.0158	0.253
115.0	1668	116.0	1683	322	612	1475	1218	634	524	0.0149	0.239
120.0	1741	121.0	1755	325	617	1495	1188	643	511	0.0141	0.226
125.0	1813	126.0	1828	328	622	1515	1157	651	497	0.0133	0.213
130.0	1886	131.0	1900	331	628	1535	1125	660	484	0.0126	0.202
135.0	1958	136.0	1973	334	633	1555	1093	668	470	0.0120	0.192
140.0	2031	141.0	2045	337	639	1575	1060	677	456	0.0114	0.183
145.0	2103	146.0	2118	340	644	1595	1027	686	442	0.0108	0.173
150.0	2176	151.0	2190	343	649	1614	994	694	427	0.0102	0.163
155.0	2248	156.0	2263	345	653	1634	960	702	413	0.00972	0.156
160.0	2321	161.0	2335	348	658	1654	925	711	398	0.00922	0.148
165.0	2393	166.0	2408	350	662	1674	888	720	382	0.00875	0.140
170.0	2466	171.0	2480	353	667	1694	850	728	365	0.00829	0.133
175.0	2538	176.0	2553	355	671	1715	811	737	349	0.00785	0.126
180.0	2611	181.0	2625	357	675	1736	769	746	331	0.00743	0.119
185.0	2683	186.0	2698	360	680	1759	726	756	312	0.00701	0.112
190.0	2756	191.0	2770	362	684	1782	679	766	292	0.00660	0.106
195.0	2828	196.0	2843	364	687	1806	628	776	270	0.00619	0.0992
200.0	2901	201.0	2915	366	691	1833	562	788	242	0.00577	0.0924

14.5 psi = 1 bar

EN Material Designation		Old Material Designation (DIN)		ASTM	Material
Number	Symbol	Number	Symbol	equivalent <sup>1)</sup>	
1.0038	235JRG2	1.0038	RSt 37-2	A284-B	Constructional steel
1.0315	P235G2TH	1.0315	ST 37.8	–	Constructional steel
1.0345	P235GH	1.0345	ST 35.8 (Hl)	A285-CA	High-quality steel (structural steel)
1.0460	P250GH	1.0460	C22.8	A105	Forged steel, unalloyed (carbon steel)
1.0619	GP240GH	1.0619	GS-C 25	A216-WCB	Cast steel (carbon steel)
1.4006	X12Cr13	1.4006	X10 Cr 13	A182-F6A	Chromium steel
1.4008	GX7CrNiMo12-1	1.4008	G-X 8 CrNi 13	–	Cast stainless steel
1.4021	X20Cr13	1.4021	X20 Cr 13	AISI 420	Chromium steel
1.4027	GX20Cr14	1.4027	G-X 20 Cr 14	–	(Cast) chromium steel
1.4107	GX8CrNi12	1.4107	G-X 8 CrNi 12	A217-CA15	Chromium steel
1.4301	X5CrNi18-10	1.4301	X5 CrNi 18 10	A182-F304	Forged stainless steel, austenitic
1.4308	GX5CrNi19-10	1.4308	G-X 6CrNi 18 9	A351-CF8	Cast stainless steel, austenitic
1.4317	GX4CrNi13-4	–	–	A743 CA6NM	Chromium steel
1.4404	X2CrNiMo17-12-2	1.4404	X2CrNiMo17132	A182 F316L	Forged stainless steel, austenitic
1.4408	GX5CrNiMo19-11-2	1.4408	G-X 6CrNiMo 18 10	A351-CF8M	Cast stainless steel, austenitic
1.4435	X2CrNiMo18-14-3	1.4435	X2 CrNiMo 18 14 3	AISI 316L	Stainless steel, forged, austenitic
1.4541	X6CrNiTi18-10	1.4541	X6 CrNiTi 18 10	–	Forged stainless steel, austenitic
1.4550	X6CrNiNb18-10	1.4550	X6 CrNiNb 18 10	A182-F347	Forged stainless steel, austenitic
1.4552	GX5CrNiNb19-11	1.4552	G-X 5 CrNiNb 18 9	A351-CF8C	Cast stainless steel, austenitic
1.4571	X6CrNiMoTi17-12-2	1.4571	X6 CrNiMoTi 17 12 2	AISI 316Ti	Forged stainless steel, austenitic
1.4581	GX5CrNiMoNb19-11-2	1.4581	G-X 5 CrNiMoNb 18 10	–	Cast stainless steel, austenitic
1.4901	X10CrWoMoVNB9-2	–	–	A182-F92	Forged steel, highly heat resistant
1.4903	X10CrMoVNB9-1	1.4903	X10 CrMoVNB 91	A182-F91	Forged steel, highly heat resistant
1.4922	X20 CrMo V11-1	1.4922	X20 CrMo V12 1	–	Forged steel, heat resistant
1.4923	X22CrMoV12-1	1.4923	X22 CrMo V12 1	–	Forged steel, heat resistant
1.4980	X6NiCrTiMoVB25-15-2	1.4980	X5NiCrTi 26 15	–	Forged steel, heat resistant
1.4496	X7 CrNiMo BNB 16-16	1.4986	X8 CrNiMo BNB 16 16	–	Forged steel, heat resistant
1.5415	16Mo3	1.5415	15 Mo 3	A182-F1	Forged steel, heat resistant
1.5419	G20Mo5	1.5419	GS-22 Mo 4	A217-WC1	Cast steel, heat resistant
1.7225	42CrMo4	1.7225	42CrMo4	A193-B7	Forged steel, heat resistant
1.7335	13CrMo4-5	1.7335	13 CrMo 4 4	A182-F12-2	Forged steel, heat resistant
1.7357	G17CrMo5-5	1.7357	GS-17 CrMo 5 5	A217-WC6	Cast steel, heat resistant
1.7380	10CrMo9-10	1.7380	10 CrMo 9 10	A182 F22-3	Forged steel, heat resistant
1.7383	11CrMo9-10	–	–	A182 F22-3	Forged steel, heat resistant
1.7709	21CrMoV 5-7	1.7709	21CrMoV 5 7	–	Forged steel, heat resistant
2.4600	Hastelloy B-3	2.4600	NiMo 29Cr	B335/564	Hastelloy B
2.4610	NiMo 16Cr 16Ti	2.4610	NiMo 16Cr 16Ti	B574	Hastelloy C
2.4632	Nimonic 90	2.4632	NiCr20 Co18Ti	–	Nimonic 90
2.4669	Inconel X750	2.4669	NiCr15 Fe7 TiAl	B637, NACE MR-01-75	Inconel X750
3.7035	Ti 2	3.7035	–	B348/381	Titan
5.1301 (EN-JL 1040)	EN-GJL-250	0.6025	GG-25	A126-B	Grey cast iron
5.3103 (EN-JS 1025)	EN-GJS-400-18-LT	0.7043	GGG-40.3	A395	S. G. (ductile) iron
5.3106 (EN-JS 1030)	EN-GJS-400-15	0.7040	GGG-40	A536 60-40-18	S. G. (ductile) iron to AD 2000 A4/W3/2
5.4202 (EN-JM 1030)	EN-GJMW-400-5	0.8040	GTW-40	–	S. G. (ductile) iron
(EN-JS 1049) <sup>2)</sup>	(EN-GJS-400-18-U-LT)	0.7043	GGG-40.3	A395	Whiteheart malleable cast iron
CW608N	CuZn 38 Pb 2	2.0371	CuZn 38 Pb 1.5 (MS60)	–	Hot-pressed brass
CW614N	CuZn 39 Pb 3	2.0401	CuZn 39 Pb 3	–	Brass
CW617N	Cu Zn 40 Pb 2	2.0402	CuZn 40 Pb 2	–	Brass
CW710R	CuZn 35 Ni3Mn2Al Pb	2.0540	CuZn 35 Ni 2	–	Special brass
CW718R	CuZn 39 Mn1Al Pb Si	2.0561	CuZn 40 Al 1	–	Special brass
CC332G	CuAl10Ni3Fe2-C	2.0970.01	G-CuAl 9 Ni	–	Bronze
CC480K-GS	CuSn10-Cu	2.1050.01	G-CuSn 10	–	Bronze
CC483K-GS	CuSn12-C	2.1052.04	GC-CuSn 12	–	Bronze

<sup>1)</sup> Physical and chemical properties comply with DIN grade. ASTM nearest equivalent grade is stated for guidance only.

<sup>2)</sup> Replaced by 5.3103

## Raised Faces at a glance – Comparison Flange Standard DIN with EN 1092-1

old (DIN)			new (EN 1092-1)			Remark
Raised face	Designation	Admissible tolerance for roughness	Raised face	Designation	Admissible tolerance for roughness	
C	Standard up to PN 40	N11/N10	./.			Form C (old) is replaced by form B1 (new)
D		N9/N8	B1	Standard up to PN 40	N10/N8	Like form D but with def. groove
E	Standard up to PN 63	N8/N7	B2	Standard up to PN 63	N8/N6	Different tolerance for roughness
F	Tongue	N9/N8	C	Tongue	N8/N6	Tongue heights do not match!
N	Groove	N9/N8	D	Groove	N8/N6	Groove depths do not match!
V	Male face	N11/N10	E	Male face	N10/N8	Heights of male faces do not match!
R	Female face	N11/N10	F	Female face	N10/N8	Heights of female faces do not match!
V14	Male face with turned groove	N11/N10	H	O-ring groove	N8/N6	Dimensions identical
R14	Female face to V14	N11/N10	G	O-ring for male face	N8/N6	Dimensions identical
L	Turned groove with convex seal	N6	./.			
M	Bevel with welded diaphragm seal	N8/N7	./.			

Since some flange faces are **not interchangeable** with the associated DIN versions please state the **standard** and the **form of the face**.

Example: BK 45 DN 20 PN 40 flanged to DIN 2635 form D [standard flat face, roughness Ra = 3.2 – 6.3 µm (N8/N9)]

or: RK 16A DN 65 PN 40 for flange to EN 1092-1 form D (groove/groove face)

## Roughness Characteristics

Roughness class (old)	Ra	Rz	Rt	CLA µ"
	µm	µm	µm	µin
N 1	0.025	0.22 - 0.30	0.24 - 0.40	1
N 2	0.05	0.45 - 0.60	0.49 - 0.80	2
N 3	0.1	0.8 - 1.1	0.85 - 1.45	4
N 4	0.2	1.0 - 1.8	1.10 - 2.40	8
N 5	0.4	1.6 - 2.8	1.75 - 3.60	16
N 6	0.8	3.0 - 4.8	3.2 - 6.0	32
N 7	1.6	5.9 - 8.0	6.3 - 10	63
N 8	3.2	12.0 - 16.0	13.0 - 19.5	125
N 9	6.3	23 - 32	25 - 38	250
N10	12.5	46 - 57	48 - 68	500
N11	25	90 - 110	95 - 130	1000
N12	50	160 - 220	190 - 250	2000

## Definition of frequently used abbreviations for valves & steam traps

<b>PN, Class</b>	Pressure class acc. to EN, ASME body of rules
<b>PMA</b>	Max. allowable pressure that pressure-bearing equipment can withstand
<b>TMA</b>	Max. allowable temperature that pressure-bearing equipment can withstand
<b>p/T</b>	Maximum pressure as a function of temperature that pressure-bearing equipment can withstand
<b>ΔP</b>	Operating differential pressure
<b>ΔPMX</b>	Maximum differential pressure (difference between operating pressure and operating back pressure)
<b>TMO</b>	Maximum operating temperature for which the operation of the equipment is guaranteed
<b>PMO</b>	Maximum operating pressure for which the operation of the equipment is guaranteed
<b>PMOB</b>	Maximum operating backpressure for which the operation of the equipment is guaranteed
<b>PO</b>	Operating pressure, measured at the valve / trap inlet
<b>TO</b>	Operating temperature, measured at the valve / trap inlet
<b>PS</b>	Maximum service pressure
<b>TS</b>	Maximum service temperature

Designation	Type	Product Range	Page
Air trap	UNA 14 P	A1	26
Air/steam drier/purifier (steam separator)	TP, TD	C	171
Automatic pump-trap station	UNA PK Station	C	173
Ball valve	GBV	A4	91
Ball-float steam trap	UNA	A1	10 - 16
Blowdown receiver (mixing cooler)	VDM	C	169
Blowdown system, programme-controlled	TA	B	147 - 148
Check valve	NAF-Check	A2	64 - 65
Check valve, dual-plate	BB	A2	55 - 59, 67
Condensate dampening pot	ED	C	170
Condensate drain valve	AK	A1	21 - 22
Condensate lifter	UNA 25 PS, UNA 25 PK	A1	27
Condensate recovery and return system	Quick CC	C	158
Condensate recovery and return system (open & closed types)	SDL / SDS	C	159 - 160
Condensate recovery and return system (VSD pumps)	SDL 200/500 Compact	C	175
Conductivity controllers	LRR	B	137 - 143
Conductivity electrodes	LRG	B	137 - 143
Conductivity switches	LRS	B	140 - 143
Continuous blowdown valve, with electric actuator	BAE	B	145 - 146
Continuous blowdown valve, without actuator	BA	B	145 - 146
Control terminal & display unit	URB	B	112 - 113
Control valve	GCV, ZK	A4	80 - 85
Control valve	ZK	A4	81 - 85
Cooling water control valve, Gestramat	CW	A4	70 - 71
Desuperheater, water bath	KD	C	163
Digital indicator	GIA	B	141
Display unit for process data	SPECTOR <i>control III</i>	B	114 - 115
Draining module	QuickEM	A1	33 - 35
Dual-plate check valve	BB	A2	55 - 59, 67
Feedwater tank	SW	C	166
Flash vessel systems	VD	C	168
Flowrate calculator	SPECTOR <i>control Flow</i>	B	154
Gestramat, cooling water control valve	CW	A4	70 - 71
Gravity circulation check	SBO	A2	41
Heat exchanger unit	GESTRAheat	C	165
High-capacity steam trap	TK 23, TK 24	A1	21 - 22
Injection cooler	EK	C	163
Intermittent blowdown valve with pneumatic actuator	MPA	B	149 - 150
Intermittent blowdown valve without actuator	PA	B	149 - 150
Isolating valve	GAV	A8	89 - 90, 92
Kalorimat, return temperature control valve	BW	A4	72 - 73
Level controller	NRR	B	112 - 113, 122 - 123
Level detection: Connect, Bus, Compact	NRG, NRGs, NRGt	B	118 - 119
Level electrodes/probes	NRG	B	110 - 125
Level limiter	NRG	B	110 - 125
Level pots for electrodes	MF	B	126 - 127, 144
Level switch	NRS	B	112 - 113, 124 - 125
Level transmitter	NRT	B	-
Lift restriction (stroke limiter)	Lift restriction RK	A2	40
Monitoring and testing of steam traps	VK, VKE, VKP, VKP 42 plus, VKP 42 Ex	A1	29 - 30

Designation	Type	Product Range	Page
Monitoring unit	SRL	B	126 - 127
Non-return valve	SRK	A1	19 - 20
Non-return valves	RK	A2	42 - 54
Oil & turbidity detector	OR	B	151 - 152
Oil detector & alarm	ORGS	B	153
Plant monitoring	SPECTOR <i>smart</i>	B	95
Pressure switch	DSH, DSL, DSF	B	96, 98, 103, 105
Pressure transmitter	DRT	B	96, 98
Pressure-maintaining valve, self-acting	5610	A4	76
Pressure-reducing valve, self-acting	5801	A4	75
Pump controls	NRSP	B	124 - 125
Pump trap	UNA 25 PK	A1	27
Questionnaire for offers		C	177 - 184
Return temperature control valve, Kalorimat	BW	A4	72 - 73
Safety control unit	URS	B	132
Safety power supply unit	Sitop	B	–
Safety valve	GSV	A6	86
Sample cooler	PK	C	–
Screwed non-return valve	MB	A2	42 - 43
Self-acting pressure-maintaining valve	5610	A4	76
Self-acting pressure-reducing valve	5801	A4	75
Self-acting temperature controller	Clorius	A4	77 - 79
Sightglass	VK	A1	29
SIL (Safety Integrity Level)	NRG 16-50, NRS 1-50	B	118 - 119
Steam deaerator	BK, MK	A1	6 – 9
Steam drier/purifier	TP	C	171
Steam flowrate calculator	SPECTOR <i>control Flow</i>	B	154
Steam-powered condensate return station	FPS Station	C	174
Steam regenerator	GRDE	C	164
Steam separator, steam drier/purifier	TD	C	171
Steam trap for large condensate flowrate	GK 11/21	A1	21 - 22
Steam trap for low pressure installations	MK20	A1	21 - 22
Steam trap for SIP applications, Steriline	SMK	A1	19 - 20
Steam trap for universal connector	BK 36A/7, MK 36A/7., DK 36A/7	A1	23
Steam trap monitoring	VK, VKE, VKP, VKP 42 plus	A1	29 - 30
Steam trap monitoring equipment	ecoBolt	A1	30 - 32
Steam trap with adjustable discharge temperature	UBK	A1	21 - 22
Steam trap with Duo stainless steel (bimetallic) regulator	BK	A1	6 – 7
Steam trap with membrane capsule	MK	A1	8 – 9
Steam-powered condensate return unit	KH, FPS	C	161 - 162
Steriline	SMK	A1	19 - 20
Stop valve	GAV	A8	89 - 90, 92
Strainer	GSF, SZ	A7	87 - 88
Swing check valve	CB	A2	60 - 61
Swing check valve	WB	A2	62 - 63
Temperature alarm	TRS	B	134 - 135
Temperature controller, self-acting	Clorius	A4	77 - 79
Temperature limiter	TRS	B	134 - 135
Temperature preamplifier	TRV	B	132 - 133
Temperature sensor	TRG	B	132 - 135

Designation	Type	Product Range	Page
Test chamber for steam trap monitoring	VKE	A1	29 - 30
Thermodynamic steam trap	DK	A1	17 - 18
Thermostatic steam traps	BK, MK, SMK,TK	A1	6 – 9, 19 - 22
TRAPtest-Portal	VKP 42, VKP 42 Ex	A1	30
Universal connector unit	TS, UC, UCY	A1	24 - 25
Universal control terminal & display	URB	B	112 - 113
Vapophone	VKP 10	A1	30
Vaposcope	VK	A1	29
Vapour steam exchanger	VHE	C	176
Vortex flowmeter	84 W-U	B	154
Water bath desuperheater	KD	C	163
Water level indicator (sightglass)	VK	C	29 - 30

Type	Designation	Product Range	Page
<b>AK</b>	Condensate drain valve	A1	21 - 22
<b>BA</b>	Continuous blowdown valve, without actuator	B	145 - 146
BAE	Continuous blowdown valve, with electric actuator	B	145 - 146
BB	Dual-plate check valve	A2	55 - 59, 67
BB	Check valve, dual-plate	A2	55 - 59, 67
BK	Steam trap with Duo stainless steel (bimetallic) regulator	A1	6 - 7
BK 36A/7, MK 36A/7., DK 36A/7	Steam trap for universal connector	A1	23
BK, MK	Steam deaerator	A1	6 - 9
BK, MK, SMK,TK	Thermostatic steam traps	A1	6 - 9, 19 - 22
BW	Return temperature control valve, Kalorimat	A4	72 - 73
BW	Kalorimat, return temperature control valve	A4	72 - 73
<b>CB</b>	Swing check valve	A2	60 - 61
Clorius	Self-acting temperature controller	A4	77 - 79
Clorius	Temperature controller, self-acting	A4	77 - 79
CW	Gestramat, cooling water control valve	A4	70 - 71
CW	Cooling water control valve, Gestramat	A4	70 - 71
DK	Thermodynamic steam trap	A1	17 - 18
DRT	Pressure transmitter	B	96, 98
<b>DSH, DSL, DSF</b>	Pressure switch	B	96, 98, 103, 105
ecoBolt	Steam trap monitoring equipment	A1	30 - 32
ED	Condensate dampening pot	C	170
<b>EK</b>	Injection cooler	C	163
FPS Station	Steam-powered condensate return station	C	174
<b>GAV</b>	Isolating valve	A8	89 - 90, 92
<b>GAV</b>	Stop valve	A8	89 - 90, 92
GBV	Ball valve	A4	91
GCV, ZK	Control valve	A4	80 - 85
GESTRAheat	Heat exchanger unit	C	165
GIA	Digital indicator	B	141
GK 11/21	Steam trap for large condensate flowrate	A1	21 - 22
GRDE	Steam regenerator	C	164
GSF, SZ	Strainer	A7	87 - 88
GSV	Safety valve	A6	86
Lift restriction RK	Lift restriction (stroke limiter)	A2	40
KD	Desuperheater, water bath	C	163
<b>KD</b>	Water bath desuperheater	C	163
<b>KH, FPS</b>	Steam-powered condensate return unit	C	161 - 162
LRG	Conductivity electrodes	B	137 - 143
LRR	Conductivity controllers	B	137 - 143
LRS	Conductivity switches	B	140 - 143
MB	Screwed non-return valve	A2	42 - 43
MF	Level pots for electrodes	B	126 - 127, 144
<b>MK</b>	Steam trap with membrane capsule	A1	8 - 9
MK20	Steam trap for low pressure installations	A1	21 - 22
MPA	Intermittent blowdown valve with pneumatic actuator	B	149 - 150
<b>NAF-Check</b>	Check valve	A2	64 - 65
NRG	Level limiter	B	110 - 125
NRG	Level electrodes/probes	B	110 - 125
NRG 16-50, NRS 1-50	SIL (Safety Integrity Level)	B	118 - 119
NRG, NRGS, NRG T	Level detection: Connect, Bus, Compact	B	118 - 119
NRR	Level controller	B	112 - 113, 122 - 123
<b>NRS</b>	Level switch	B	112 - 113, 124 - 125
NRSP	Pump controls	B	124 - 125

Type	Designation	Product Range	Page
NRT	Level transmitter	B	–
OR	Oil & turbidity detector	B	151 - 152
ORGS	Oil detector & alarm	B	153
PA	Intermittent blowdown valve without actuator	B	149 - 150
PK	Sample cooler	C	–
Quick CC	Condensate recovery and return system	C	158
QuickEM	Draining module	A1	33 - 35
RK	Non-return valves	A2	42 - 54
<b>SBO</b>	Gravity circulation check	A2	41
SDL / SDS	Condensate recovery and return system (open & closed types)	C	159 - 160
<b>SDL 200/500 Compact</b>	Condensate recovery and return system (VSD pumps)	C	175
Sitop	Safety power supply unit	B	–
<b>SMK</b>	Steam trap for SIP applications, Steriline	A1	19 - 20
SMK	Steriline	A1	19 - 20
<b>SPECTORcontrol Flow</b>	Steam flowrate calculator	B	154
<b>SPECTORcontrol Flow</b>	Flowrate calculator	B	154
SPECTORcontrol III	Display unit for process data	B	114 - 115
SPECTORsmart	Plant monitoring	B	95
SRK	Non-return valve	A1	19 - 20
SRL	Monitoring unit	B	126 - 127
SW	Feedwater tank	C	166
TA	Blowdown system, programme-controlled	B	147 - 148
TD	Steam separator, steam drier/purifier	C	171
TK 23, TK 24	High-capacity steam trap	A1	21 - 22
TP	Steam drier/purifier	C	171
TP, TD	Air/steam drier/purifier (steam separator)	C	171
TRG	Temperature sensor	B	132 - 135
TRS	Temperature limiter	B	134 - 135
<b>TRS</b>	Temperature alarm	B	134 - 135
TRV	Temperature preamplifier	B	132 - 133
TS, UC, UCY	Universal connector unit	A1	24 - 25
UBK	Steam trap with adjustable discharge temperature	A1	21 - 22
UNA	Ball-float steam trap	A1	10 - 16
UNA 14 P	Air trap	A1	26
UNA 25 PK	Pump trap	A1	27
UNA 25 PS, UNA 25 PK	Condensate lifter	A1	27
UNA PK Station	Automatic pump-trap station	C	173
URB	Control terminal & display unit	B	112 - 113
<b>URB</b>	Universal control terminal & display	B	112 - 113
URS	Safety control unit	B	132
VD	Flash vessel systems	C	168
VDM	Blowdown receiver (mixing cooler)	C	169
VHE	Vapour steam exchanger	C	176
VK	Vaposcope	A1	29
VK	Sightglass	A1	29
VK	Water level indicator (sightglass)	C	29 - 30
<b>VK, VKE, VKP, VKP 42 plus</b>	Steam trap monitoring	A1	29 - 30
VK, VKE, VKP, VKP 42 plus, VKP 42 Ex	Monitoring and testing of steam traps	A1	29 - 30
VKE	Test chamber for steam trap monitoring	A1	29
VKP 10	Vapophone	A1	30
VKP 42, VKP 42 Ex	TRAPtest-Portal	A1	30
WB	Swing check valve	A2	62 - 63
ZK	Control valve	A4	81 - 85

Type	Designation	Product Range	Page
5610	Self-acting pressure-maintaining valve	A4	76
5610	Pressure-maintaining valve, self-acting	A4	76
5801	Self-acting pressure-reducing valve	A4	75
5801	Pressure-reducing valve, self-acting	A4	75
84 W-U	Vortex flowmeter	B	154







Note: Responsible care has been taken in preparing this illustrated catalogue. GESTRA reserves the right to make corrections and changes. Illustrations in our printed literature are liable to alteration and are not intended to be binding. We also reserve the unrestricted property and copyright in all estimates, drawings or related documents, which must not be made available to third parties.



## GESTRA AG

Münchener Str. 77 • 28215 Bremen • Germany  
P.O. BOX 10 54 60 • 28054 Bremen • Germany

Tel. +49 421 3503-0  
Fax +49 421 3503-393

[info@de.gestra.com](mailto:info@de.gestra.com)  
[www.gestra.com](http://www.gestra.com)

850128-05/11-2024sxs-mw • ©2024 • GESTRA AG • Bremen • Technical modifications reserved  
GESTRA is a Spirax Group Company

2390010

