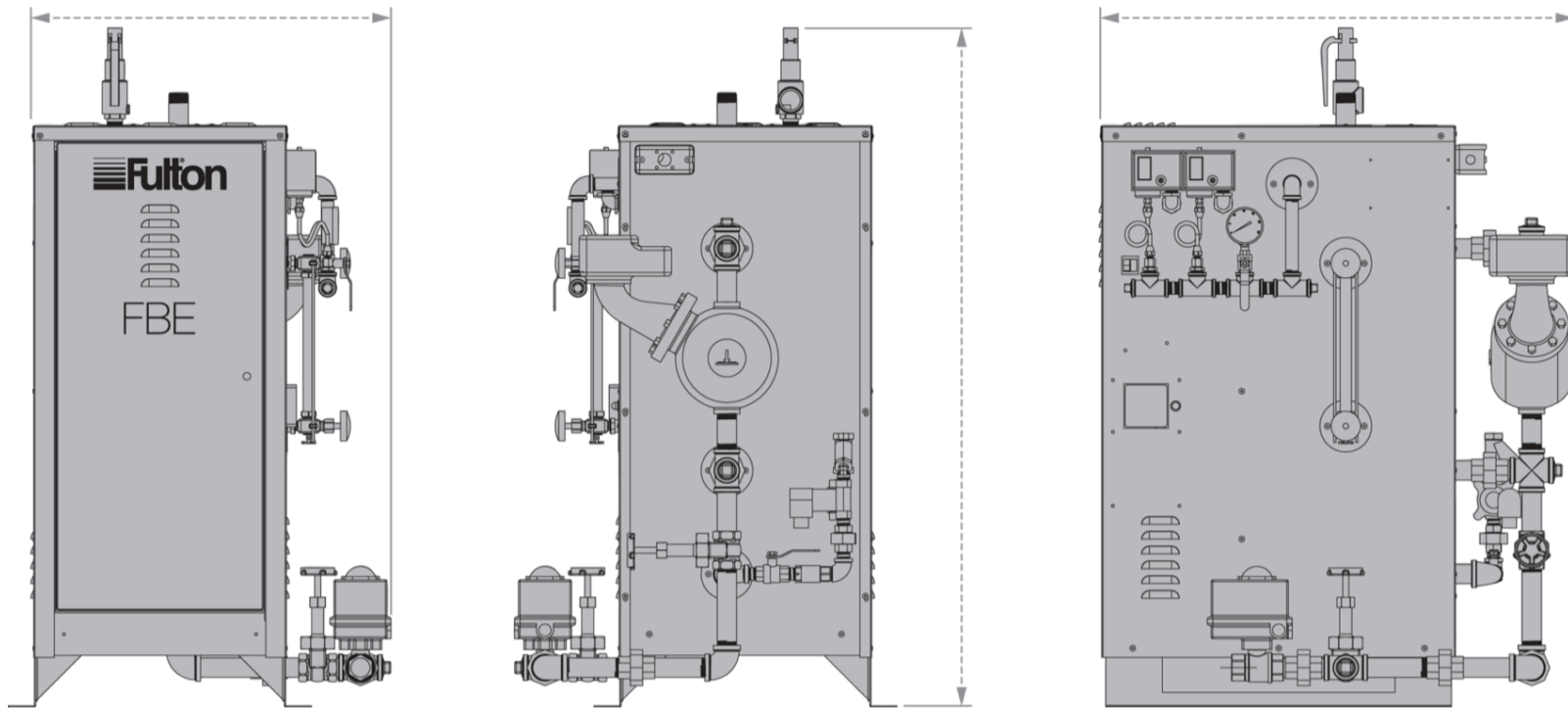


Fulton FBE

Electric Steam Boiler

Specifications & Dimensions



MODEL	FB-012E	FB-018E	FB-024E	FB-030E	FB-036E	FB-048E	FB-060E	FB-072E	FB-084E	FB-108E	FB-144E	FB-157E	FB-180E
SPECIFICATIONS													
Steam Output (LB/HR)	42	63	84	106	127	169	211	253	295	380	506	554	633
DIMENSIONS													
Height (IN)	36.7	36.7	45.875	45.875	45.875	45.875	45.875	45.875	60.3	60.3	59.875	59.875	59.875
Width (IN)	20.9	20.9	25.875	25.875	25.875	25.875	25.875	25.875	28.25	28.25	30.375	30.375	30.375
Depth (IN)	31.375	31.375	32.5	32.5	32.5	32.125	32.125	32.125	33.3	33.3	35.375	35.375	35.375
WEIGHTS													
Shipping Weight (LBS)	225	225	360	360	360	360	360	360	700	700	761	761	761
Operating Weight (LBS)	184	184	337	337	337	431	431	431	573	573	837	837	837
Flooded Weight (LBS)	201	201	381	381	381	475	475	475	656	656	949	949	949