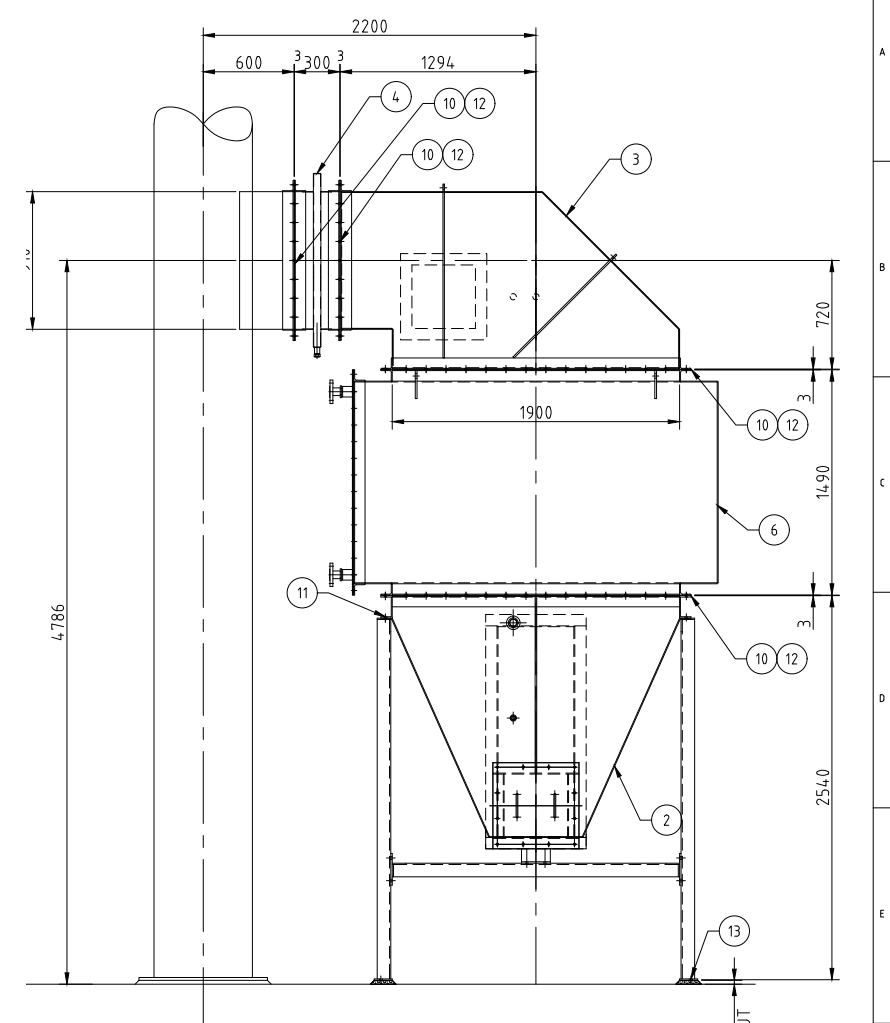
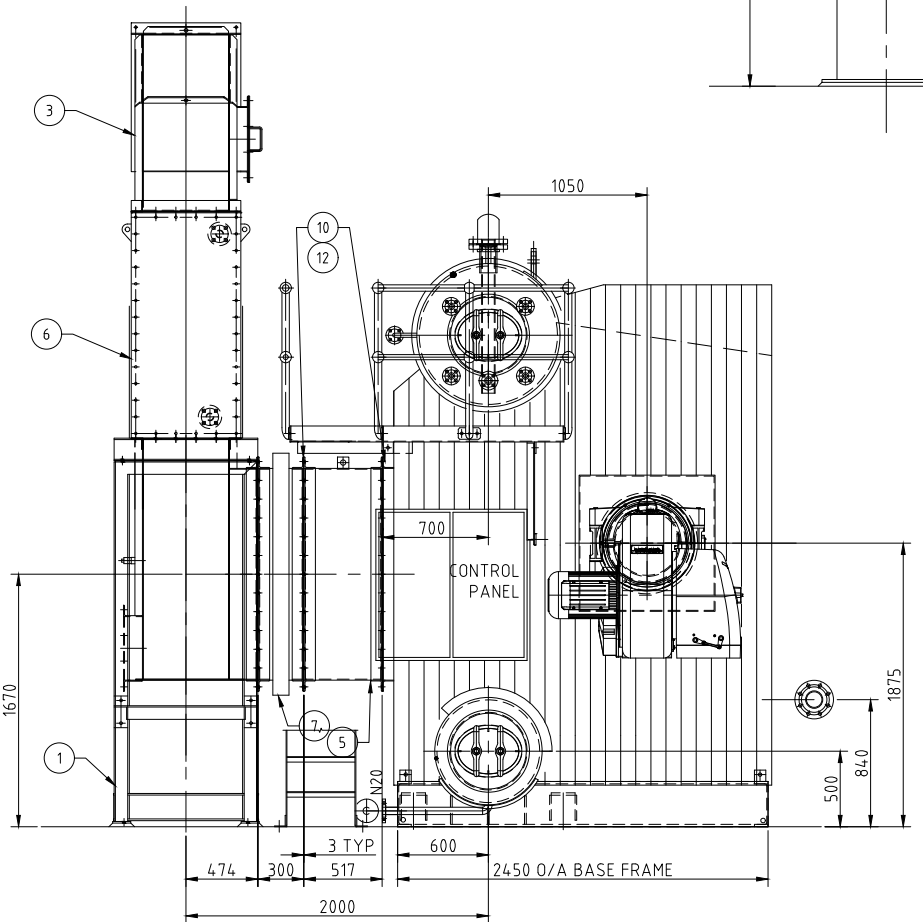


SECTION A
SCALE 1:25



VIEW B
SCALE 1:25



REV	DRN	DATE	DESCRIPTION	CHK	APP
A	W.W.	11/06/20	REDRAWN FOR TES WAS C00208/00/02 REV 0	I.P.	P.R.

DRG No	TITLE
SDGL8R-22-01	STEAM DRUM ARRANGEMENT & DETAILS
SDGL8R-24-01	WATER DRUM ARRANGEMENT & DETAILS
SDGL8R-10-01	BASE FRAME ARRANGEMENT & DETAILS
SDGL8R-33-10	BURNER QUARL ARRANGEMENT & DETAILS
SDGL8R-27-01	SDGL8R BOILER PRESSURE PARTS ARRANGEMENT & DETAILS
SDGL8R-27-04	SDGL8R BOILER PRESSURE PARTS FRONT WALL

MARK No	QTY	MATL	DESCRIPTION	MASS (kg)	REMARKS

SCALE	CLIENT	DRAWN	SIGNATURE	DATE	TITLE
1:25 (A1)		W.WESTWOOD		11/06/220	8MW R-H SUPER DL-GL BOILER GENERAL ARRANGEMENT

REV	NO	DATE	DESCRIPTION
A	1		

