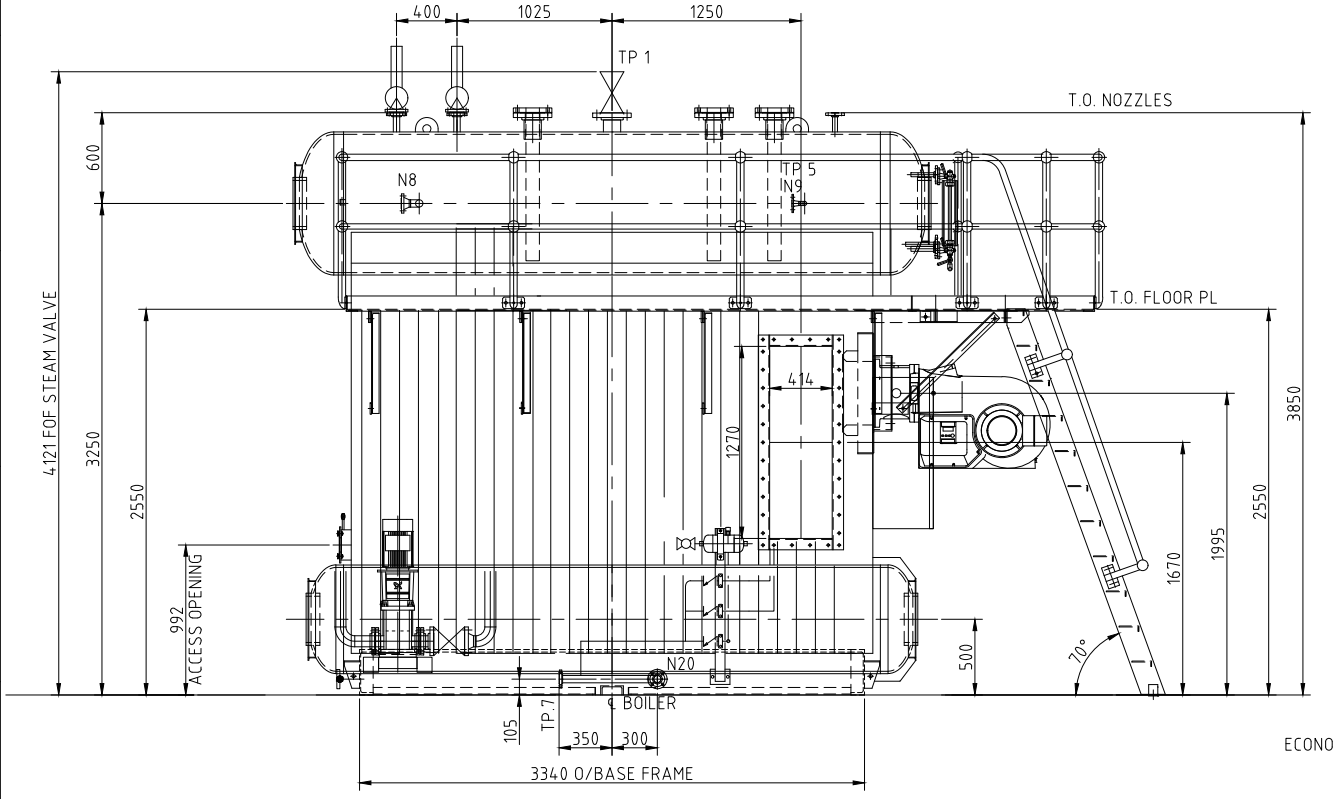
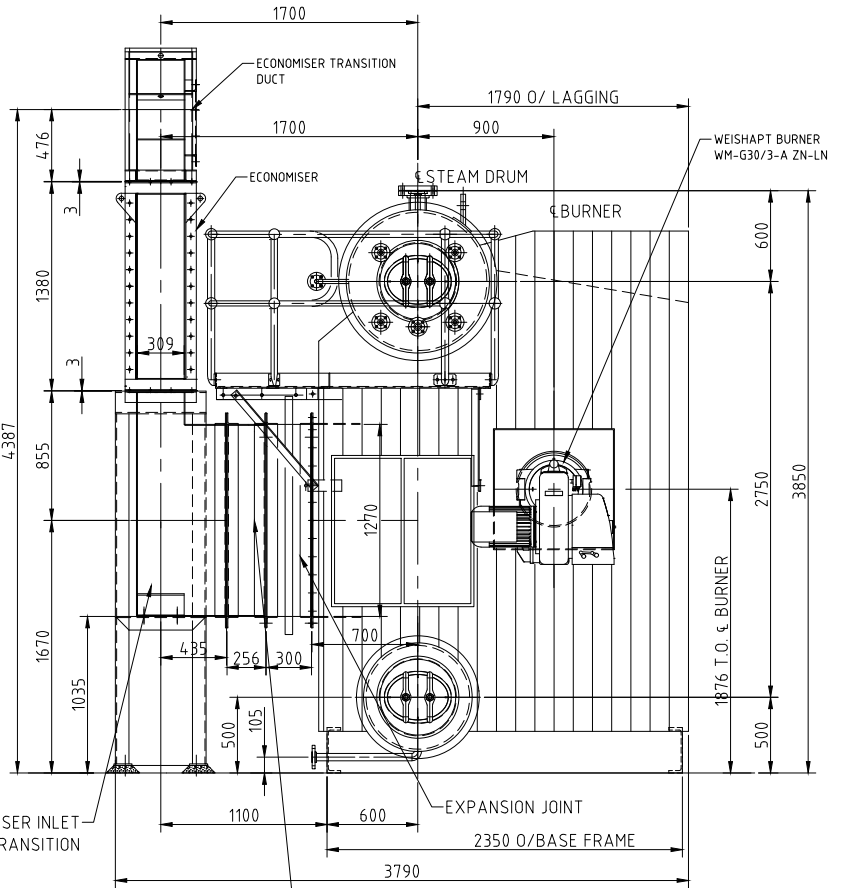


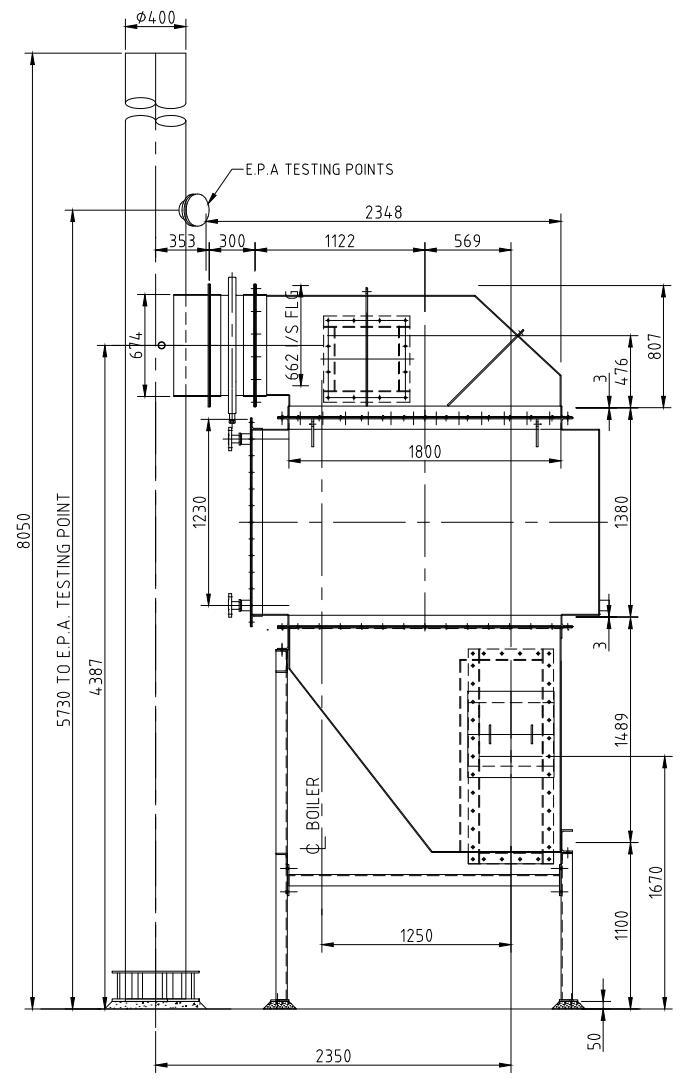
PLAN



SECTION A
SCALE 1:25



FRONT ELEVATION



SECTION B
SCALE 1:25

REV	DRN	DATE	DESCRIPTION	CHK	APP
F	W.W.	10/07/20	EXIT FLUE WAS 167 WAS 1735	-	-
E	W.W.	9/06/20	REDRAWN, (BC852-00-01D) NEW BURNER ADDED	-	-
D	D.T.M.	14/11/99	AS BUILT	-	-
C	M.C.	9/10/98	FEDWATER SUCTION, GAS, & DISCHARGEPIPING ADDED, TP'S ADDED	-	-
B	M.C.	24/09/98	FEEDWATER TANK ADDED	-	-
A	P.H.	14/09/98	FEEDWATER PUMPS ADDED, DIM 6213 WAS 5750 DA	-	-

DRG No	TITLE
SDGL3-08-05	3MW SUPER D-GL BOILER, BURNER QARL ARRGT & DETAILS
SDGL3R-22-01	STEAM DRUM DETAILS
SDGL3R-24-01	WATER DRUM DETAILS
SDGL3R-27-01	3MW SUPER D-GL BOILER, PRESSURE PARTS ARRANGEMENT
SDGL3-32-01	3MW SUPER D-GL BOILER, SUPPORT FRAME ARRGT & DETAILS
SDGL3-70-09	SDGL3 BOILER, TYP CLADDING FRAME ARRANGEMENT

SCALE	CLIENT
1:25 (A1)	

MARK No	QTY	MATL	DESCRIPTION	MASS (kg)	REMARKS

DRAWN	SIGNATURE	DATE	TITLE
	W.W.	29-05-20	3MW R-H SUPER D - GL BOILER GENERAL ARRANGEMENT



SDGL3R-00-01
A1
PLOTTED 10-Jul-20