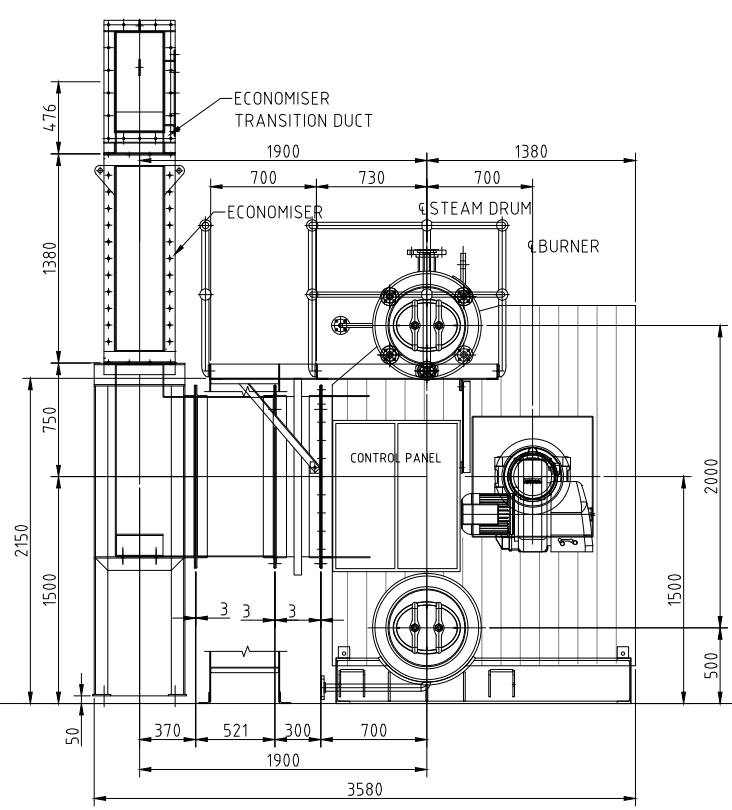
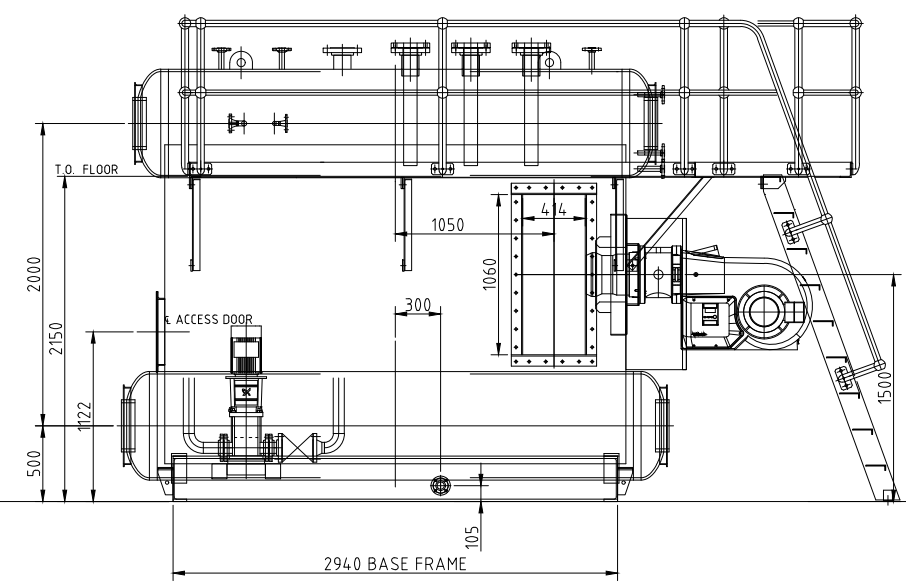
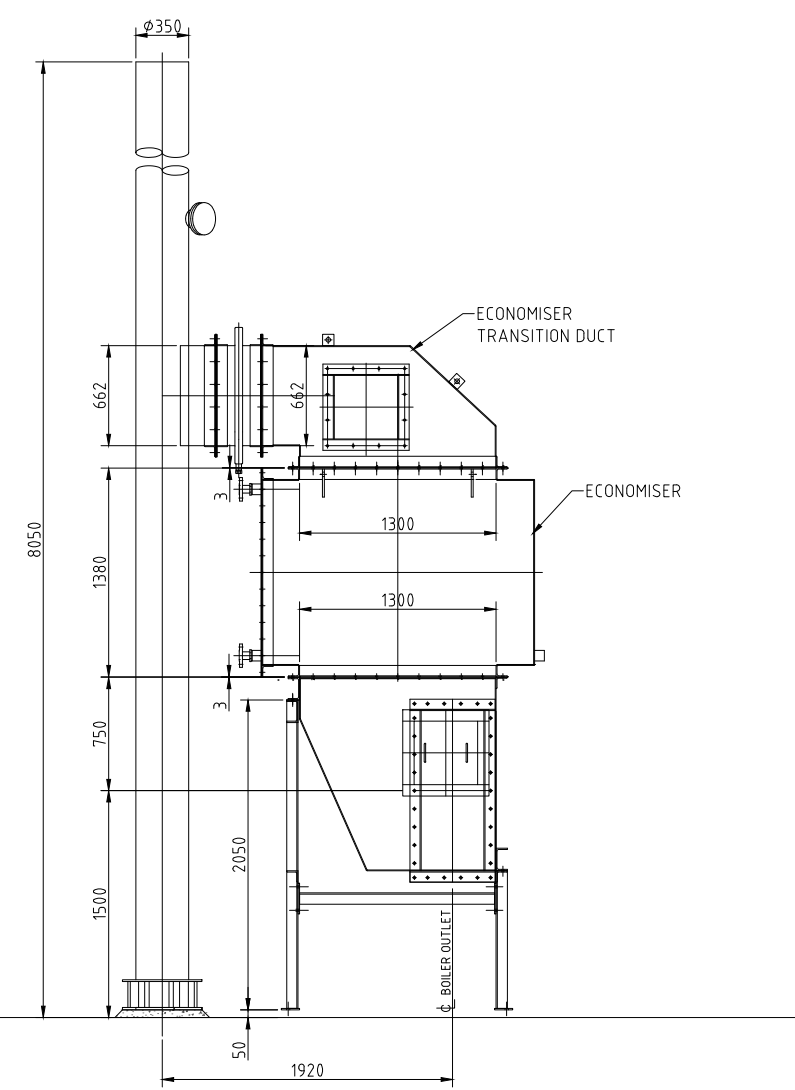


SECTION A
SCALE 1:25



SECTION B
SCALE 1:25



REV	DRN	DATE	DESCRIPTION	CHK	APP
A	W.W.	30-06-20	DRAWING REDRAWN	-	-

MARK No	QTY	MATL	DESCRIPTION	MASS (kg)	REMARKS

SCALE	CLIENT
1:25 (A1)	

DRAWING No	REV
SDGL2R-00-01	A



A1

2MW SUPER D - GL BOILER
GENERAL ARRANGEMENT

PLOTTED 9-Jul-20